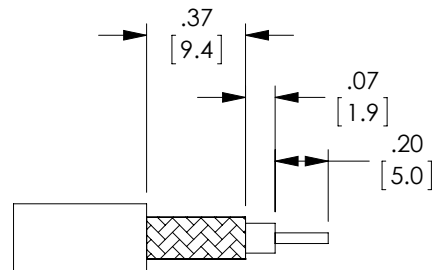


THE INFORMATION CONTAINED IN THIS DRAWING IS THE SOLE PROPERTY OF L-COM, INC. ANY REPRODUCTION IN PART OR WHOLE WITHOUT THE WRITTEN PERMISSION OF L-COM, INC. IS PROHIBITED.

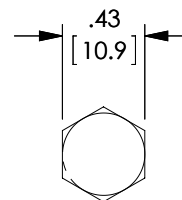
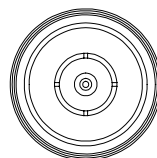
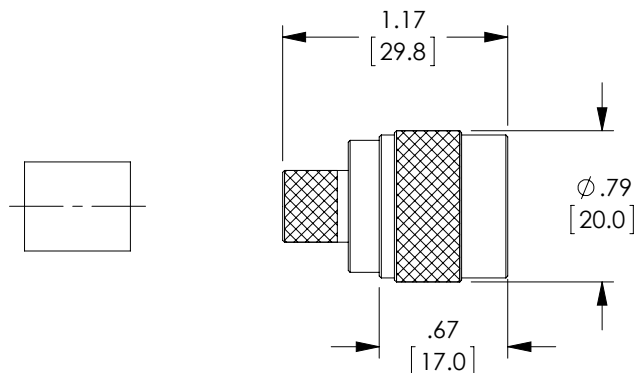
**RoHS Compliant** ✓

REVISIONS			
REV	DESCRIPTION	DATE	APPROVED
A	INITIAL RELEASE	11/6/12	D.GRIFFIN

DESCRIPTION	MATERIAL	FINISH
BODY	BRASS	NICKEL PLATE
DIELECTRIC	TPFE	-
CENTER PIN	BRASS	GOLD PLATE
RETAINING RING	BRASS	-
GASKET	RUBBER	-
SHELL	BRASS	NICKEL PLATE
FERRULE	BRASS	NICKEL PLATE



RECOMMENDED  
CABLE STRIPPING



RECOMMENDED  
FERRULE  
CRIMP SIZE

**NOTES:**

**ELECTRICAL:**

IMPEDANCE: 50 OHMS  
 WITHSTAND VOLTAGE: 2500V  
 FREQUENCY RANGE: 0~6 GHz  
 VSWR: <1.50 @ 0~6 GHz  
 DURABILITY: > 500 CYCLE  
 CABLE RETENTION: > 40 POUNDS

**MISCELLANEOUS:**

COMPONENTS SHALL BE INDIVIDUALLY PACKAGED IN ACCORDANCE WITH L-COM SPECIFICATIONS PS-0031.

ALL DIMENSIONS ARE FOR REFERENCE ONLY.

NO SOLDERING REQUIRED FOR CENTER CONDUCTOR.

UNLESS OTHERWISE SPECIFIED, DIMENSIONS ARE IN INCHES [mm] OVERALL CABLE LENGTH TOLERANCE: ≤12 [305] = +1 [25] / -0 >12 [305] ≤60 [1524] = +2 [51] / -0 >60 [1524] ≤120 [3048] = +4 [102] / -0 >120 [3048] ≤300 [7620] = +6 [152] / -0 >300 [7620] = +3% / -0% ALL OTHER DIMENSIONAL TOLERANCES: .X = ±.2 .XX = ±.02 .XXX = ±.005	APPROVALS DRAWN BY D.FRISIELLO	DATE 11/5/12	45 BEECHWOOD DRIVE NORTH ANDOVER, MA 01845
	CHECKED BY K.BURGNER	DATE 11/5/12	
PROJECTION 	CONFIGURATION DETAILS OF UNDIMENSIONED FEATURES MAY VARY	PRODUCT DESCRIPTION TYPE N PLUG SOLDERLESS CRIMP LMR400	PRODUCT DESCRIPTION TYPE N PLUG SOLDERLESS CRIMP LMR400
COLOR VARIATIONS MAY OCCUR	SIZE A	FSCM NO. 43321	DWG. NO. ANM-1420
1A801-050	SCALE: NONE	CAD FILE: ANM-1420.SLDDRW	SHEET 1 OF 1