

# MED 16x1.125

## TUBULAR FRAME SOLENOID



Two position linear solenoid with tubular frame construction.

### Features

- High performance construction
- DC solenoids applications only
- Standard push and pull versions available
- UL approval on many models



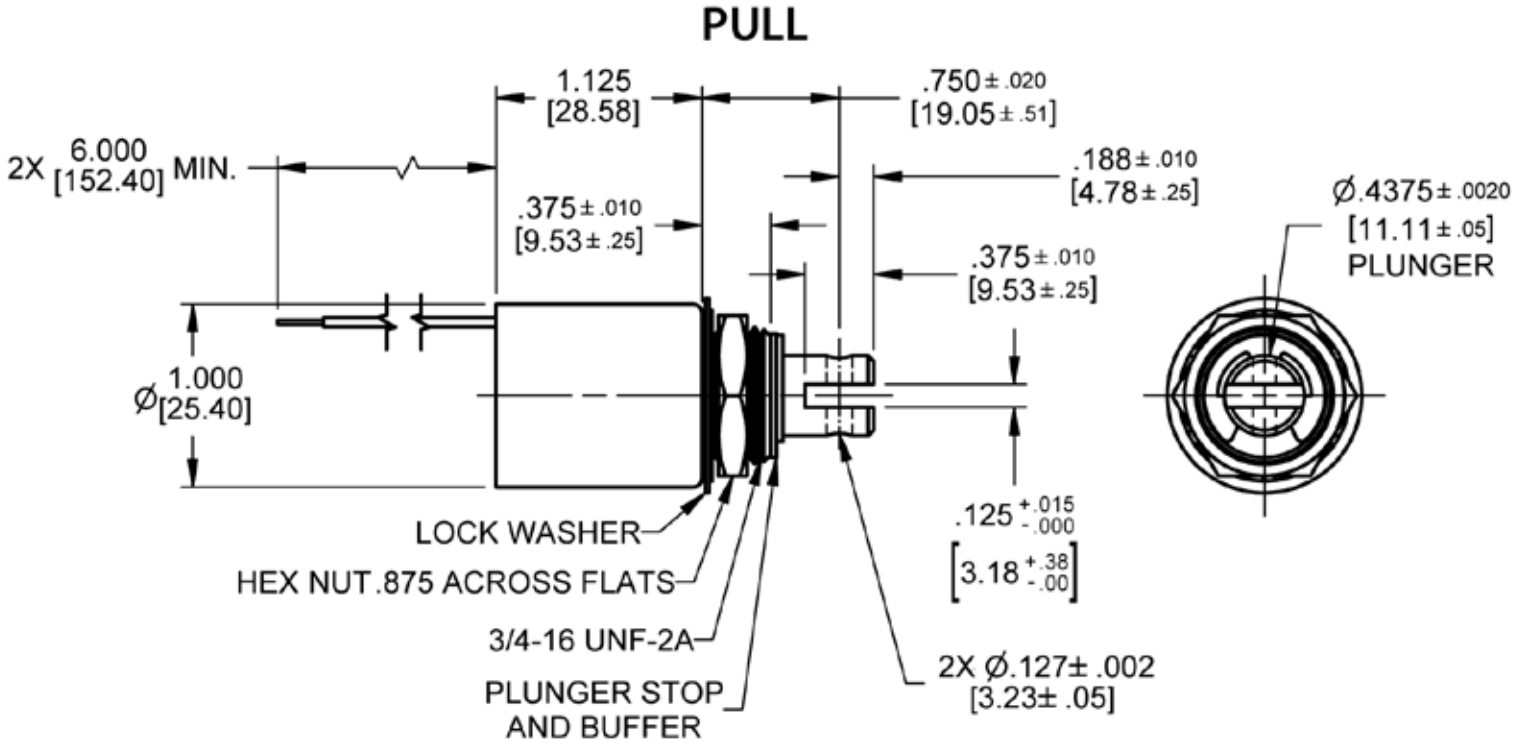
Electrical Specifications	
Coil Voltages	6, 12, 24, 115 VDC
Coil Power	8 Watts Continuous, 19 Watts Intermittent, 77 Watts Pulse
Coil Termination	Wire leads 24 AWG (standard)
Duty Cycle	Continuous, intermittent and pulse (See standard part numbers on page 4)
Coil Treatment	Tape Wrapped
Insulation Class	Class A Rating - 105°C (221°F) Max.
Dielectric Strength	30 Volts and Under: 500 VRMS Over 30 Volts: 1000 VRMS plus 2X rated voltage for 1 minute
Mechanical Specifications	
Size	1.125" [28.6] (L) x Ø 1.000" [25.4] (D)
Forces	See force curves on page 3
Plunger Diameter	Ø 0.4375" [11.1]
Plunger Guide Material	Plastic
Mounting	0.875" [22.2] Hex Nut
Weight	Plunger - 1.1 oz [31.2 gms], Total - 4.4 oz [124.7 gms]
Life Expectancy	250,000 Cycles (Dependent on load conditions)
Agency Approvals	
	UL File No. E57982 For Continuous Duty UL File No. E74443 For Insulation Systems S105

Dimensions: inches [mm]

# MED 16x1.125

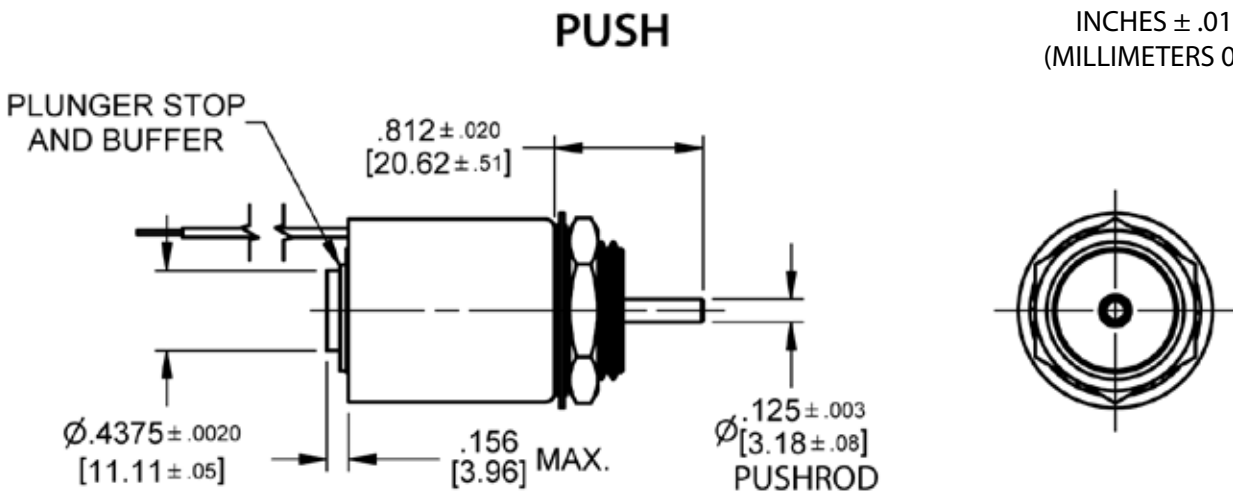
## Dimensional View

Units: Inches [mm]



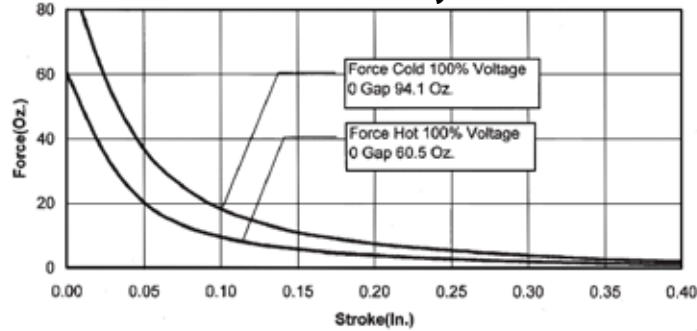
**UNLESS OTHERWISE SPECIFIED**

INCHES ± .015  
(MILLIMETERS 0.38)

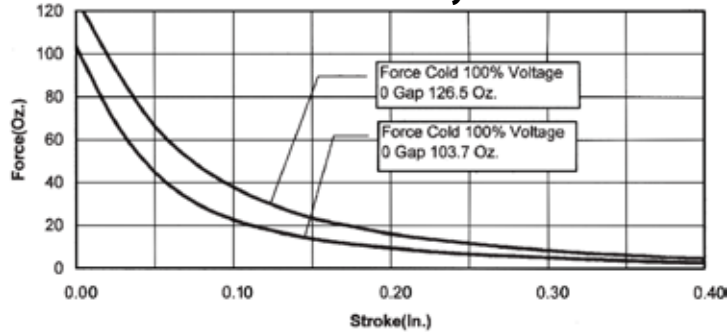


## Force Curves

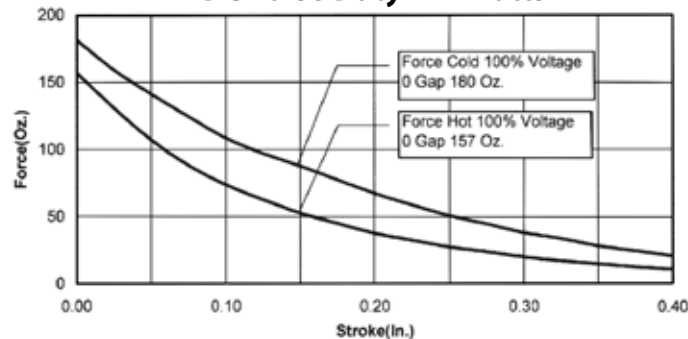
### DC Continuous Duty - 8 Watts



### DC Intermittent Duty - 19 Watts



### DC Pulse Duty - 77 Watts



Standard intermittent duty cycle at nominal voltage is one (1) minute "ON" and three (3) minutes "OFF". Standard pulse duty cycle is 100 milliseconds "ON" and 900 milliseconds "OFF".

Note:

Cold Force @ 25°C (77°F) Cold Temperature  
Hot Force @ 130°C (266°F) Coil Temperature  
Approx. 36 sq. in. Heat Sink Required

# MED 16x1.125



## Standard Part Numbers

Parts No.	Voltage	Duty Cycle	Power	Resistance (Ohms)	Operation	Typical Force oz [N] 100% Voltage, 77°F [25°C], Stroke @				
						0.000"	0.125"	0.250"	0.500"	0.750"
53754-80	6 VDC	Continuous	8 Watts	4.7	Pull	94 [26.1]	13 [3.6]	4 [1.1]	0 [0.0]	0 [0.0]
53759-80	6 VDC			4.7	Push					
53754-81*	12 VDC			19	Pull					
53759-81	12 VDC			19	Push					
53754-82*	24 VDC			75	Pull					
53759-82	24 VDC			75	Push					
53754-84	115 VDC			1900	Pull					
53759-84	115 VDC			1900	Push					
53754-86	6 VDC	Intermittent	19 Watts	1.9	Pull	126 [35.0]	30 [8.3]	10 [2.8]	0 [0.0]	0 [0.0]
53759-86	6 VDC			1.9	Push					
53754-87*	12 VDC			7.5	Pull					
53759-87	12 VDC			7.5	Push					
53754-88*	24 VDC			30	Pull					
53759-88	24 VDC			30	Push					
53754-90	115 VDC			750	Pull					
53759-90	115 VDC			750	Push					
53754-92	6 VDC	Pulse	77 Watts	0.47	Pull	180 [50.0]	93 [25.9]	50 [13.9]	0 [0.0]	0 [0.0]
53759-92	6 VDC			0.47	Push					
53754-93	12 VDC			1.9	Pull					
53759-93	12 VDC			1.9	Push					
53754-94	24 VDC			7.5	Pull					
53759-94	24 VDC			7.5	Push					
53754-96	115 VDC			190	Pull					
53759-96	115 VDC			190	Push					

(\*) Normally Stocked

Non stocked items require a minimum order