



PART NAME

NEMA DIE CAST ALUMINUM ENCLOSURE

PART No.

AN-1305-A & AN-1305-AB

REVISION DATE

9-30-15

UL LISTED FOR U.S. AND CANADA - FILE #E194432

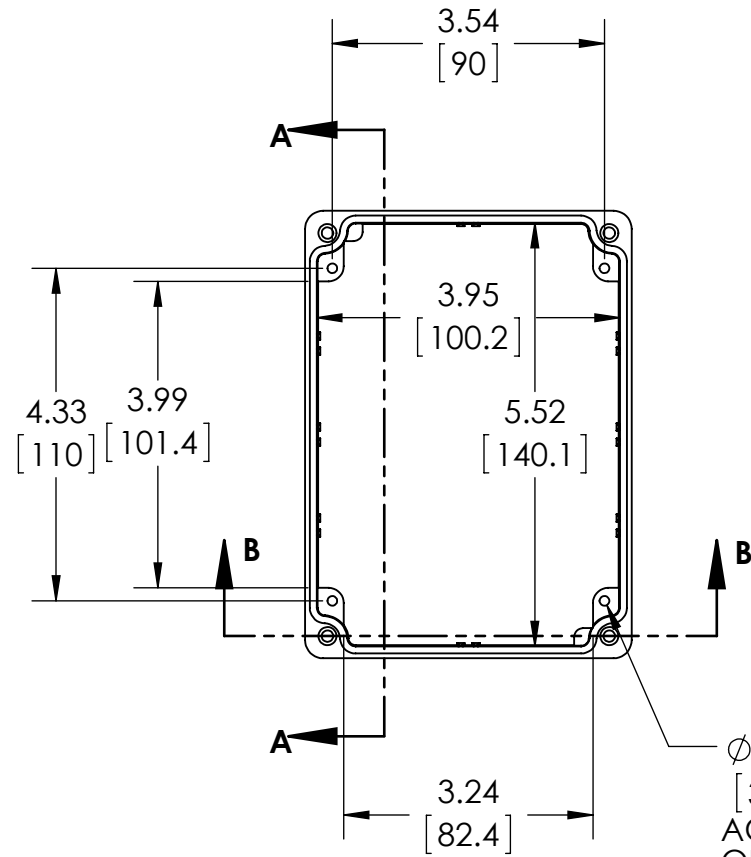
TYPE RATING 4, 4X, 6, 6P, 12 AND 13, COMPARE TO IP-68

80°C. MAXIMUM OPERATING TEMPERATURE

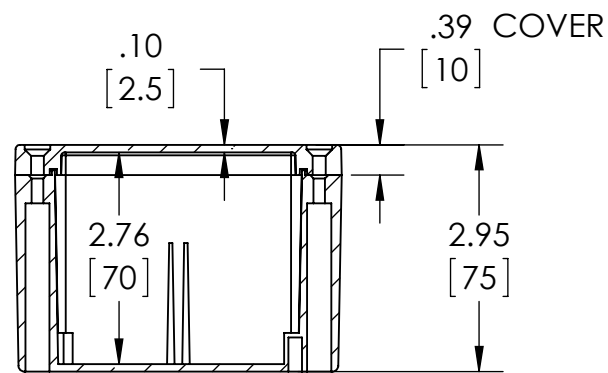
UPDATE REPLACES PART NO. AN-1305 (NATURAL) & AN-1305-G (DISCONTINUED GRAY)

DRAWING FOR REFERENCE

WE RESERVE THE RIGHT TO MAKE CHANGES TO OUR STANDARD PRODUCTS. PLEASE CONSULT WITH BUD INDUSTRIES PRIOR TO USING THIS DRAWING FOR DESIGN PURPOSE.

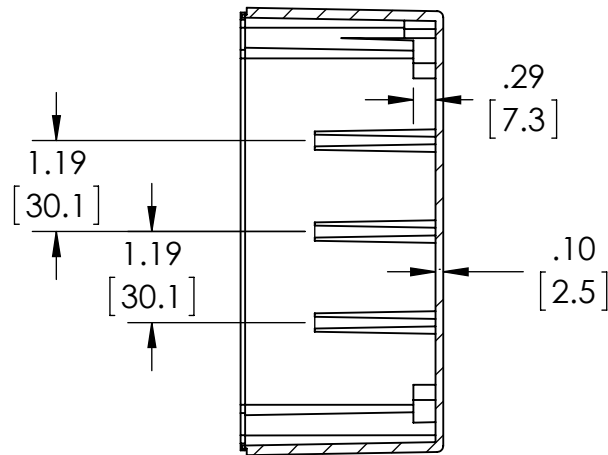


Ø.126 x .394 DEEP (4X)
 [3.2] [10]
 ACCEPTS M3.5 x 6mm LG.
 OR #6 x 1/4" LG.
 SELF-TAPPING SCREW
 (NOT SUPPLIED - FOR PCB
 MOUNTING)

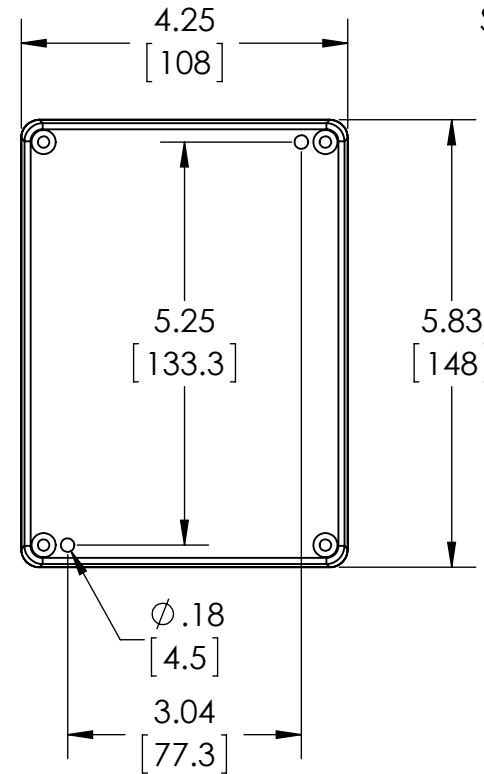


SECTION B-B

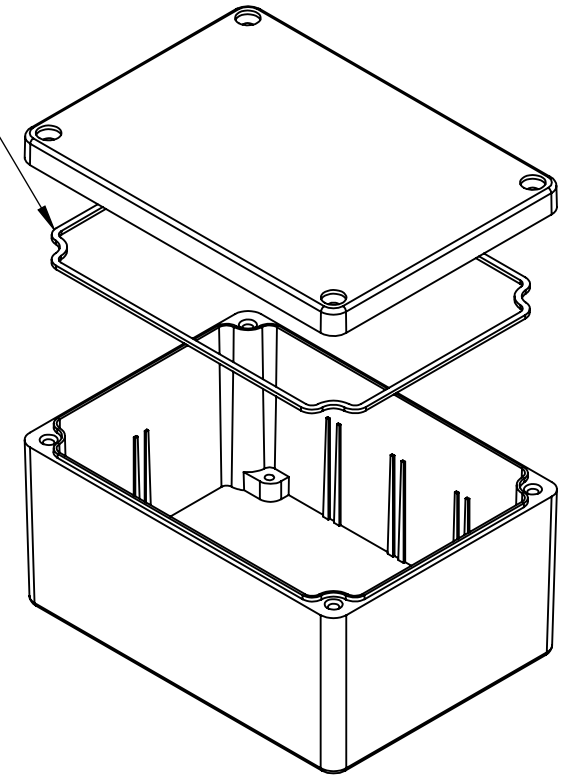
**BODY
COVER NOT SHOWN**



SECTION A-A



GASKET
 (NOT INSTALLED)
 MOLDED
 SILICONE GRAY



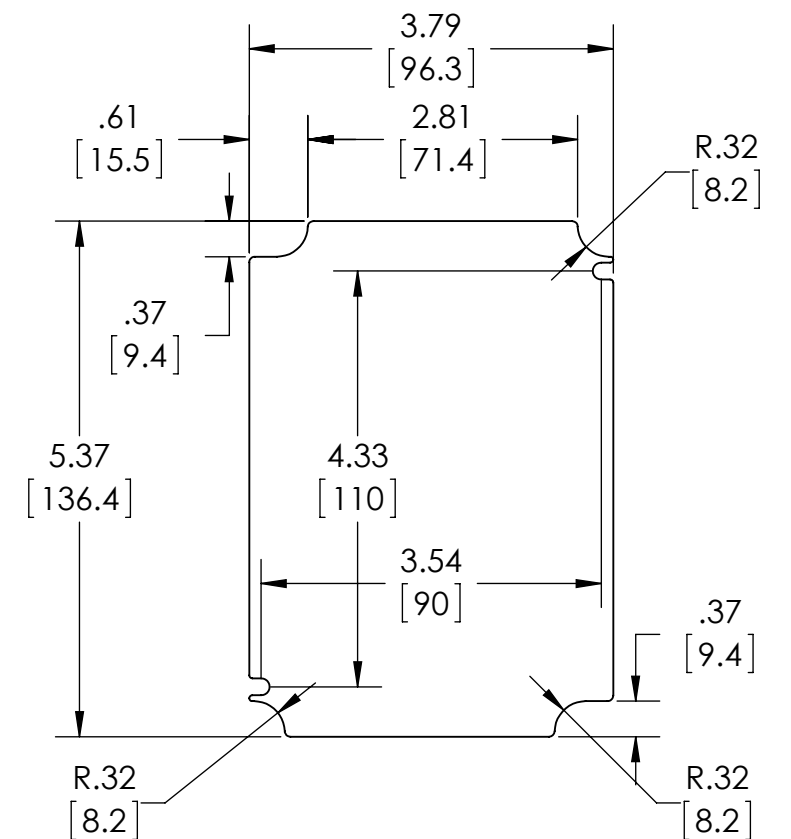
MATERIAL: BODY & COVER - ALUMINUM ALLOY #ADC-12

FINISH: NATURAL (SUFFIX -A)
 SMOOTH BLACK POWDERCOAT (SUFFIX -AB)

FOUR (4) M4x0.7 x 20mm (.79") LG. 90° CSK. HEAD
 STAINLESS STEEL SCREWS SUPPLIED FOR ASSEMBLY
 OF COVER TO BODY. APPLY AT 12 IN./LB. OF
 TORQUE.

OUTSIDE AND INSIDE DRAFT ANGLE: 1°
 DIMENSIONS ARE INCH[MM]

OPTIONAL ACCESSORIES:
 PCB MOUNTING KIT #57-58
 INTERNAL PANEL #ANX-91305
 WALL MOUNT BRACKETS #ANX-1390
 REPLACEMENT GASKET #1305GSKTSC



**OPTIONAL INTERNAL PANEL AND
SUGGESTED PC BOARD LAYOUT**