



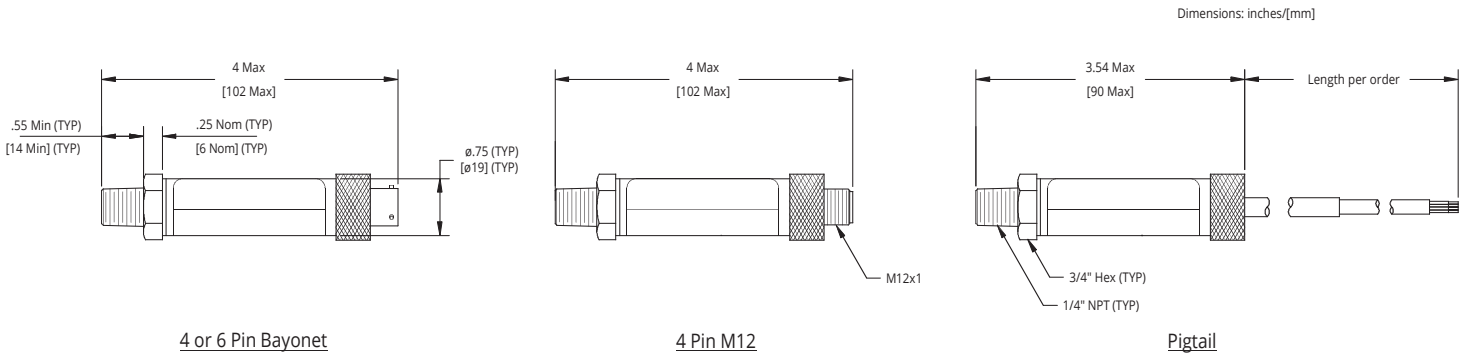
Our amplified output pressure transmitters are the economical answer for all applications requiring high accuracy and reliability over a wide range of pressures. The PT-L1/L3/L10 pressure transmitters offer ranges from vacuum to 10,000 psi, all stainless steel construction, high burst pressure, and high accuracy.

## Features

- Cost effective
- High overpressure capability
- Zero and span adjustments
- Single piece stainless steel process fitting and sensor



# PT-L1/L3/L10 Specifications



## Performance

- Accuracy  
B.F.S.L.  $\leq 0.25\%$  of full scale  
NIST up to  $\pm 0.1\%$  available on select ranges
- Temp Compensation Range:  
Up to  $0^\circ - 130^\circ\text{F}$  ( $-17^\circ - 54^\circ\text{C}$ )
- Extended Temp Compensation Ranges: (Optional)  
 $-40^\circ - 180^\circ\text{F}$  ( $-40^\circ - 82^\circ\text{C}$ )  
 $0^\circ - 185^\circ\text{F}$  ( $-17^\circ - 85^\circ\text{C}$ )

## Connectivity

- Output:  
4-20 mA  
0-5 VDC  
1-5 VDC  
1-6 VDC  
0-10 VDC
- Internet Connectivity:  
RST-5001 (4-20 mA version only)

## Electrical

- Supply Voltage:  
4-20 mA: 10 - 36 VDC  
0-5 VDC: 9 - 33 VDC  
1-5 VDC: 9 - 33 VDC  
1-6 VDC: 9 - 33 VDC  
0-10 VDC: 14 - 33 VDC
- Electrical Protection:  
Reverse polarity

## Physical

- Material: 15-5, 17-4, or 316L SS

## Programming

- Field Calibration:  
Zero and Span adjust

# Common Model Configurations

## 4-20 mA Output

Model Number	Model Description
PT-L1-C-15-PSIA-E5-5-P0-N0-M1-V0-K0-S0	<b>0-15 PSI, Absolute</b> Pressure Reference, 1/4" NPTM, 316L SS, 5 ft. cable
PT-L1-C-60-PSIA-E5-5-P0-N0-M1-V0-K0-S0	<b>0-60 PSI, Absolute</b> Pressure Reference, 1/4" NPTM, 316L SS, 5 ft. cable
PT-L1-C-5-PSIG-E5-5-P0-N0-M1-V0-K0-S0	<b>0-5 PSI, Gauge</b> Pressure Reference, 1/4" NPTM, 316L SS, 5 ft. cable
PT-L1-C-30-PSIG-E5-5-P0-N0-M1-V0-K0-S0	<b>0-30 PSI, Gauge</b> Pressure Reference, 1/4" NPTM, 316L SS, 5 ft. cable
PT-L1-C-100-PSIG-E5-5-P0-N0-M1-V0-K0-S0	<b>0-100 PSI, Gauge</b> Pressure Reference, 1/4" NPTM, 316L SS, 5 ft. cable
PT-L1-C-50-PSICG-E5-5-P0-N0-M1-V0-K0-S0	<b>0-50 PSI, Compound Gauge</b> Reference, 1/4" NPTM, 316L SS, 5 ft. cable
PT-L1-C-500-PSICG-E5-5-P0-N0-M1-V0-K0-S0	<b>0-500 PSI, Compound Gauge</b> Reference, 1/4" NPTM, 316L SS, 5 ft. cable
PT-L1-C-1000-PSIS-E5-5-P0-N0-M2-V0-K0-S0	<b>0-1,000 PSI, Sealed Gauge</b> Reference, 1/4" NPTM, 17-4 SS, 5 ft. cable
PT-L1-C-5000-PSIS-E5-5-P0-N0-M2-V0-K0-S0	<b>0-5,000 PSI, Sealed Gauge</b> Reference, 1/4" NPTM, 17-4 SS, 5 ft. cable
PT-L1-C-10000-PSIS-E5-5-P0-N0-M2-V0-K0-S0	<b>0-10,000 PSI, Sealed Gauge</b> Reference, 1/4" NPTM, 17-4 SS, 5 ft. cable

## Accessories

Please order separately, by part number.

Description	Part Number
4-pin bayonet mating connector (E3)	509010*
4-pin female (M12) mating connector (E4) **Specify X as 2 or 5 m cable	135407-000X
6-pin circular mating connector (E1)	509110*
6-pin bayonet mating connector (E17)	509165*

\*To order a connector with cable you will need to specify the operation and cable length by adding "00XX" to the part number (XX=cable length).

- Specify cable: 2, 5, 10, 25 or 50 ft

Example: 509010-0025 = 4-pin bayonet mating connector (E3) with 25 feet of cable

# Model Configuration Options



Model Number: PT- \_\_\_\_\_ - C - \_\_\_\_\_ - \_\_\_\_\_ - \_\_\_\_\_ - \_\_\_\_\_ - \_\_\_\_\_ - \_\_\_\_\_ - \_\_\_\_\_ - \_\_\_\_\_ - \_\_\_\_\_ - \_\_\_\_\_  
A B C D E F G H I J K L

## A. Operation

- L1** 4-20 mA
- L2** 0-2 VDC
- L3** 0-5 VDC
- L10** 0-10 VDC
- L11** 1-6 VDC
- L12** 1-5 VDC
- L21** 1-10 VDC

## B. Common Pressure Ranges - PSI\*

- 5**       **50**       **200**       **1000**       **5000**
- 15**       **60**       **300**       **2000**       **10000**
- 30**       **100**       **500**       **3000**

\*Other ranges available. Please consult factory.

## C. Unit of Measure

<input type="checkbox"/> <b>PSI</b> <sup>▲</sup>	<input type="checkbox"/> <b>kPa</b>	<input type="checkbox"/> <b>inHg</b>
<input type="checkbox"/> <b>bar</b>	<input type="checkbox"/> <b>inH<sub>2</sub>O</b>	<input type="checkbox"/> <b>kgcm<sup>2</sup></b>
<input type="checkbox"/> <b>mbar</b>	<input type="checkbox"/> <b>mmHg</b>	<input type="checkbox"/> <b>fsw</b>

## D. Pressure Type

- G** Gauge
- CG** Compound Gauge
- V** Vac
- A** Absolute
- S** Sealed

## E. Electrical Connection

Mating connector sold separately

- E1** 6-pin circular
- E3** 4-pin bayonet
- E4** 4-pin M12 Micro connector
- E5**<sup>▲</sup> Pigtail with cable (specify length below)
- E17** 6-pin bayonet

## F. Electrical Cable Length

- \_\_\_\_\_ Number represents cable length, in 5-ft increments, included on E5 pigtail option above. (ex. E5-10 represents pigtail with 10 ft. cable)

## G. Process Connection

- P0**<sup>▲</sup> 1/4-18 NPTM
- P4** 7/16 SAE male flush mount
- P5** 1/4-18 NPTF
- P7** 7/16-20 SAE male
- P14** 1/8-27 NPTM
- P16** PT 1/4 (BSPP) male
- P22** G3/8 (3/8 BSPP) male
- P23** G1/2 (1/2 BSPP) male
- P26** 7/16-20 UNF male w/ cone
- P30** High Pressure Sno Trik (M-250C, Autoclave male)

## H. Accuracy

- N0**<sup>▲</sup> ±0.25%
- N1** ±0.25% with NIST certification
- N2** ±0.1% with NIST certification

## I. Materials

- M0** 15-5 SS (≥ 1k psi)
- M1**<sup>▲</sup> 316L SS (up to 1k psi)
- M2** 17-4 SS (≥ 1k psi)

## J. Vibration

- V0**<sup>▲</sup> Standard
- V1** High (not available with K0)

## K. Can Assembly

- K0**<sup>▲</sup> Knurl
- K1** Tamper resistant with Loc-Tite
- K2** Tamper resistant with weld
- K3** Weld can to fitting and connector

## L. Temperature

- S0**<sup>▲</sup> Standard: 0° - 130°F (-17° - 54°C)
- S1** Extended: -40° - 180°F (-40° - 82°C)
- S4** Extended: 0° - 185°F (-17° - 85°C)

Note: <sup>▲</sup>Indicates this option is standard.