

# R95-107



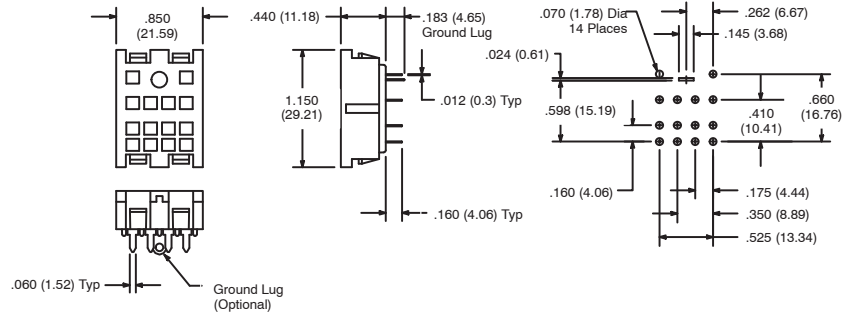
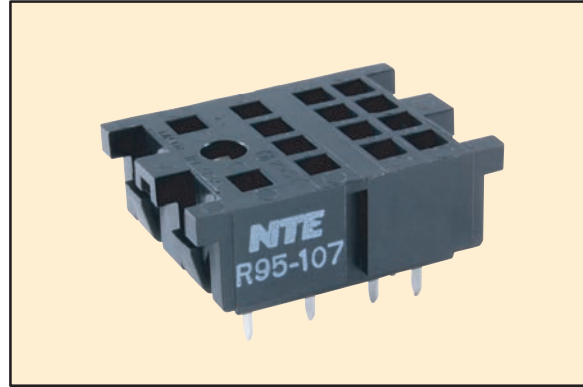
## 14-Pin Blade Socket

### Features

- PC Board Mount
- Hold down clip supplied with socket, also available separately (R95-001)

### Electrical Rating:

300 Volts, 10 Amps



# R95-108

## 16-Pin Blade Socket

### Features

- PC Board Mount

### Electrical Rating:

1000 Volts, 10 Amps

