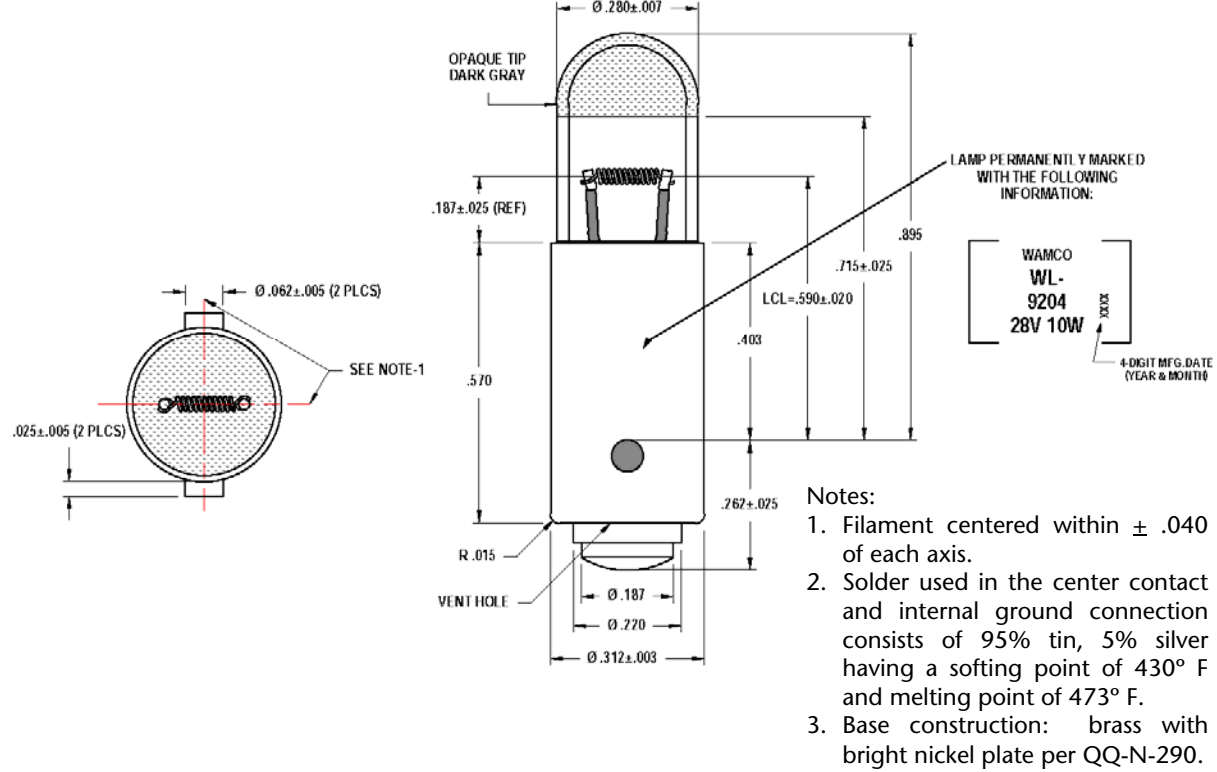


Lamp Specification

Wamco Part No.	Envelope Size	Base Type	Rating	Filament Shape
WL-9204	T-2 1/4	Special	28V 10W	C-6

Test Volts	Current (A)			Light Output (MSCP)			Life Hours
	Min.	Nom.	Max.	Min.	Nom.	Max.	
28V	.330	.345	.360	4.90	6.60	8.20	10,000 Hrs

Dimensional Characteristics:



Title
T-2 1/4 Special Base Lamp
28V 10W Xenon Gas Filled

Drawn	11/20/03	CL	Notes: Unless otherwise specified, all dimensions are in mm.	Rev F
Checked	11/30/03	EB		
Approved	11/30/03	EB		