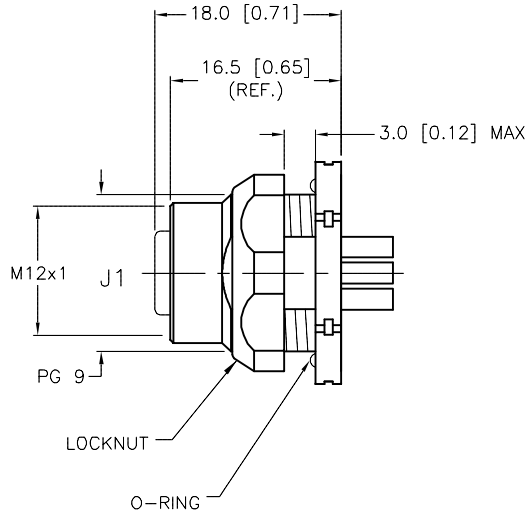
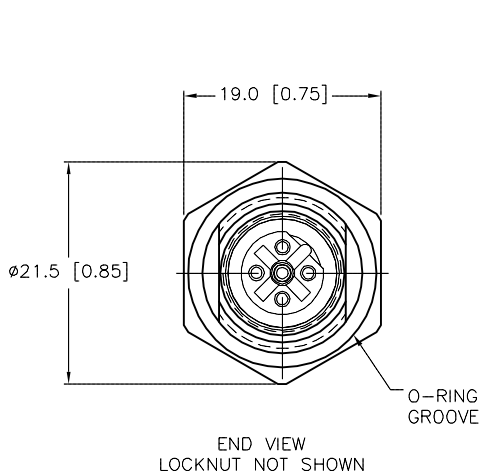


| SPECIFICATIONS | |
|-----------------------------------|----------------------------------|
| CONTACT CARRIER MATERIAL | NYLON OR TPU |
| CONTACT MATERIAL/PLATING | BRASS/GOLD |
| RATED CURRENT [A] | 4.0 A |
| RATED VOLTAGE [V] | 250 V |
| HOUSING, LOCKNUT MATERIAL/PLATING | BRASS/NICKEL |
| NUMBER OF CONDUCTORS [AWG] | SOLDER CUPS, 20 AWG MAX. |
| TEMPERATURE RATING | -30°C to +80°C (-22°F to +176°F) |
| PROTECTION CLASS | MEETS NEMA 1,3,4,6P AND IEC IP68 |



SOURCE DRAWING - FOR REFERENCE ONLY

| | | | | | | | |
|-------------------|--|----------------------|---|--|--------------|--|----------|
| RELATED DOCUMENTS | | 3RD ANGLE PROJECTION | | THIS DRAWING IS CONFIDENTIAL AND THE PROPERTY OF TURCK INC. USE OF THIS DOCUMENT WITHOUT WRITTEN PERMISSION IS PROHIBITED. | | TURCK INC High Technology Sensors and Automation Controls 3000 CAMPUS DRIVE MINNEAPOLIS, MN 55441 1-800-544-7769 (763) 553-7300 (763) 553-0708 fax turck.com | |
| 1. | | | ALL DIMENSIONS DISPLAYED ON THIS DRAWING ARE FOR REFERENCE ONLY | DRFT | RDS | DATE | 01/18/10 |
| 2. | | | | DSGN | | SCALE | 1=.8 |
| 3. | | UNIT OF MEASUREMENT | | | | DESCRIPTION | |
| 4. | | MILLIMETER [INCH] | | | | FKFDLW 4.5 | |
| MATERIAL | | SEE SPECIFICATIONS | | CONTACT TURCK FOR MORE INFORMATION | | IDENTIFICATION NO. | |
| FINISH | | SEE SPECIFICATIONS | | DO NOT SCALE THIS DRAWING | | U4509-0 | |
| REV | | DESCRIPTION | | FILE: U4509-0 | | REV | |
| B | DRAWING PROCESSED AS PART OF ECO 33971 | CBM | 04/07/11 | 33971 | SHEET 1 OF 1 | | B |

| | | | | |
|-----|--|-----|----------|---------|
| B | DRAWING PROCESSED AS PART OF ECO 33971 | CBM | 04/07/11 | 33971 |
| REV | DESCRIPTION | BY | DATE | ECO NO. |