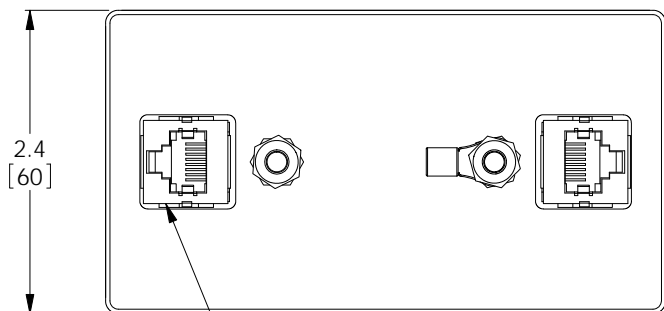


THE INFORMATION CONTAINED IN THIS DRAWING IS THE SOLE PROPERTY OF L-COM, INC. ANY REPRODUCTION IN PART OR WHOLE WITHOUT THE WRITTEN PERMISSION OF L-COM, INC. IS PROHIBITED.

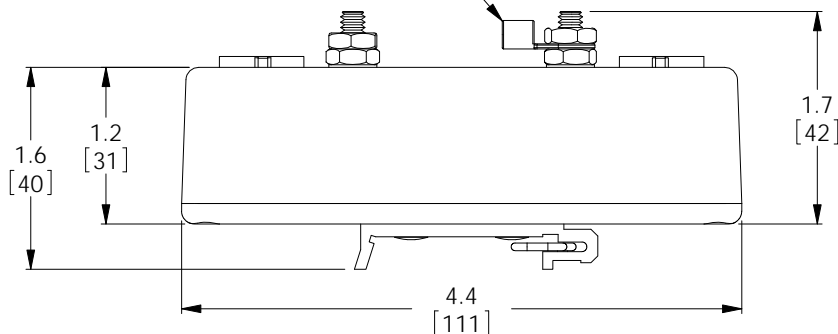
REVISIONS			
REV	DESCRIPTION	DATE	APPROVED
A	INITIAL RELEASE	9/01/11	B.PUCHASKI



2X RJ45 JACK

DIN3 RAIL MOUNT CLIP

GROUNDING LUG FOR 22-18 AWG WIRE

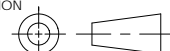


NOTE:

1. COMPONENT SHALL BE INDIVIDUALLY PACKAGED IN ACCORDANCE WITH L-COM SPECIFICATION PKG-00012.

-ALL DIMENSIONS FOR REFERENCE-

RoHS Compliant ✓

UNLESS OTHERWISE SPECIFIED, DIMENSIONS ARE IN INCHES [mm]	APPROVALS	DATE	 45 BEECHWOOD DRIVE NORTH ANDOVER, MA 01845
	DRAWN BY B. PUCHASKI	09/01/11	
DIMENSIONAL TOLERANCES: .X = ± .1 .XX = ± .01 .XXX = ± .005	CHECKED BY K. BURGNER	09/01/11	CATEGORY LIGHTNING PROTECTORS
	APPROVED BY K. BURGNER	09/01/2011	
ANGULAR TOLERANCES: ALL = ± 1°	CONFIGURATION DETAILS OF UNDIMENSIONED FEATURES MAY VARY		PRODUCT DESCRIPTION HGLND-CATx-HP LIGHTNING PROTECTOR
PROJECTION 	COLOR VARIATIONS MAY OCCUR	SIZE A	FSCM NO. 43321
		DWG. NO. HGLND-CATx-HP	REV. A
		SCALE: NONE	CAD FILE: HGLND-CATx-HP.SLDDRW
		SHEET 1 OF 1	