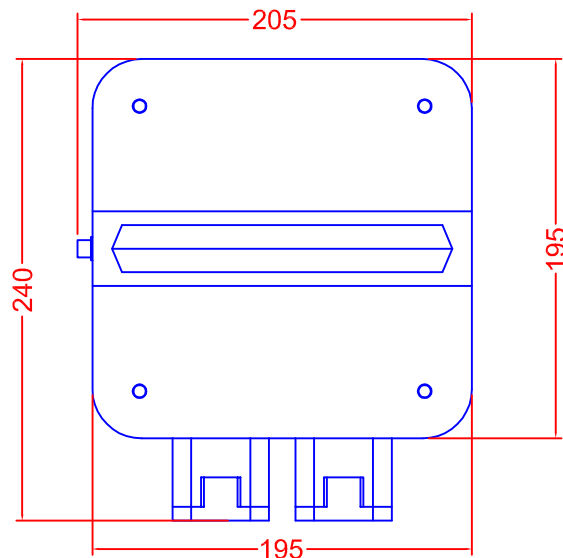
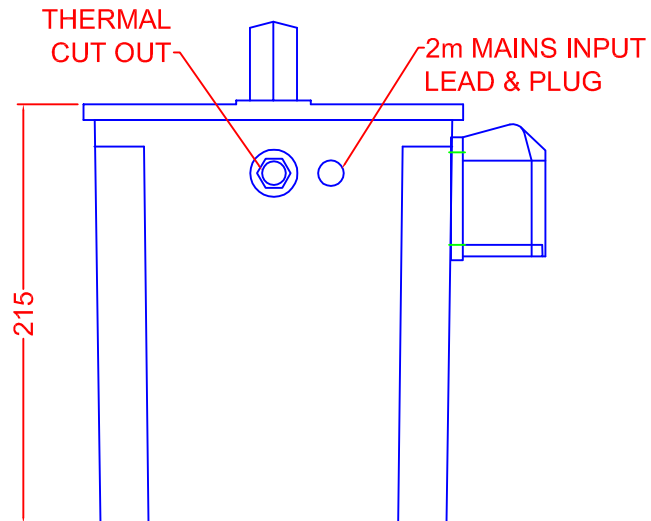
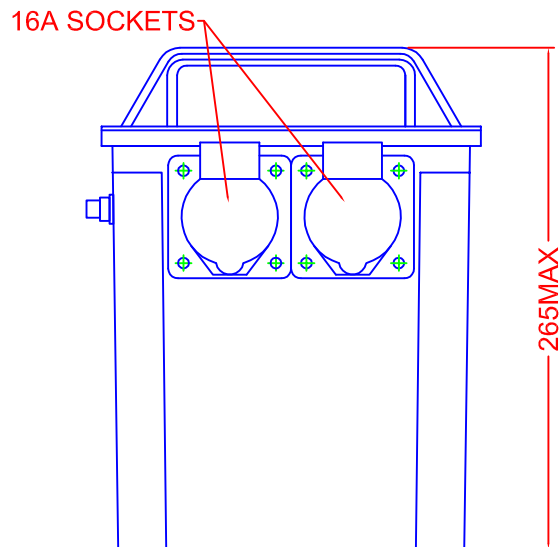


TOLERANCES (UNLESS SPECIFIED)	
0-10mm	±0.2mm
10.1-50mm	±0.5mm
50.1-250mm	±1.0mm
>250mm	±2.0mm



PORTABLE TOOLS TRANSFORMER  
 TYPE: ISOLATION  
 INPUT: 240V 50Hz  
 OUTPUT: 55-0-55V  
 RATING: CENTER TAP EARTHED  
 2.25KVA INTERMITTENT  
 5MINS ON 15MINS OFF  
 THERMAL CUT-OUT: 8A  
 OUTPUT SOCKET: 2x16A BS EN60309  
 RATED IP44  
 INPUT PLUG: 13A BS1363  
 ENCLOSURE: GRP  
 RATED IP55  
 COLOUR: YELLOW

REV	
4	
3	
2	
1	

**CARROLL & MEYNELL**  
 TRANSFORMERS LIMITED  
 TEL: 01642 617406 FAX: 01642 614178  
 enquiries@carroll-meynell.com

TITLE  
 PORTABLE TOOL  
 TRANSFORMER CM22502  
 ALL DIMENSIONS IN mm

DRAWN	PROJECTION	DATE	SCALE
SH		26/4/8	NTS
DRAW No	REV	PAGE	
3259	0	1/1	