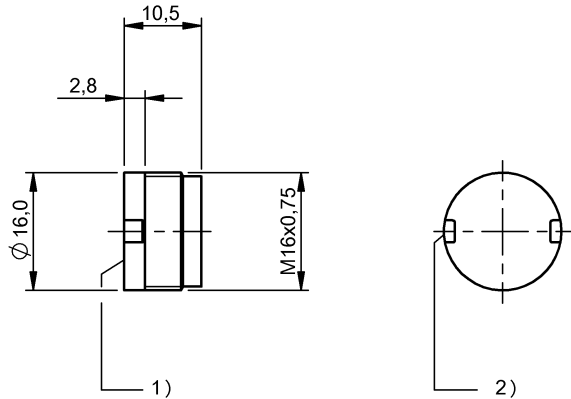


BIS C-100-05/A  
BIS0002



1) Sensing surface 2) For mounting key 710691



## Electrical data

Memory capacity	1023 Byte
Memory organization	32 × 8 bits
MTTF (40 °C)	740 a
Programming cycles	up to 30 °C: 1,000,000 up to 70 °C: 500,000
Programming time	for 1x8 bits: 0.3s for 32x8 bits: 0.6s
Read cycles	Unlimited
Read time	for 32x8 bits: 0.19 s

## Environmental conditions

Ambient temperature	0...70 °C
EN 60068-2-27, Continuous shock load	yes
EN 60068-2-27, Shock	yes
EN 60068-2-6, Vibration	yes
Protection type IEC 60529	IP68
Storage temperature	-20...85 °C

## Functional safety

Diagnostic coverage	0 %
EN 60068-2-32 Free fall	yes
Functional safety	no
Mission Time	0 a

## General data

Antenna type	round
Approval/Conformity	CE UL-FILE E227256, Vol.X1, BIS EN 55011
	Size 1, Cl. A

## Material

Housing material	PA, PA 6.6
------------------	------------

## Mechanical data

Application weight	3.00 g
Dimension	Ø 16 x 10.5 mm
Installation	for flush mounting (in steel)
Size	M16x0.75

## Remarks

On the last page only 31x8 bits are usable.  
IP68 tested according to BWN Pr 36  
Time specification includes data check.  
For installation requirements see corresponding read/write head.  
Values are under rated conditions unless otherwise specified.  
Only together with converter BIS C-901 or BIS C-6xx and the appropriate read/write head.

For further information on MTTF/B10d, please refer to the MTTF / B10d Certificate.

Specification of the MTTF value and the B10d value do not represent any binding quality and/or life expectancy guarantees.