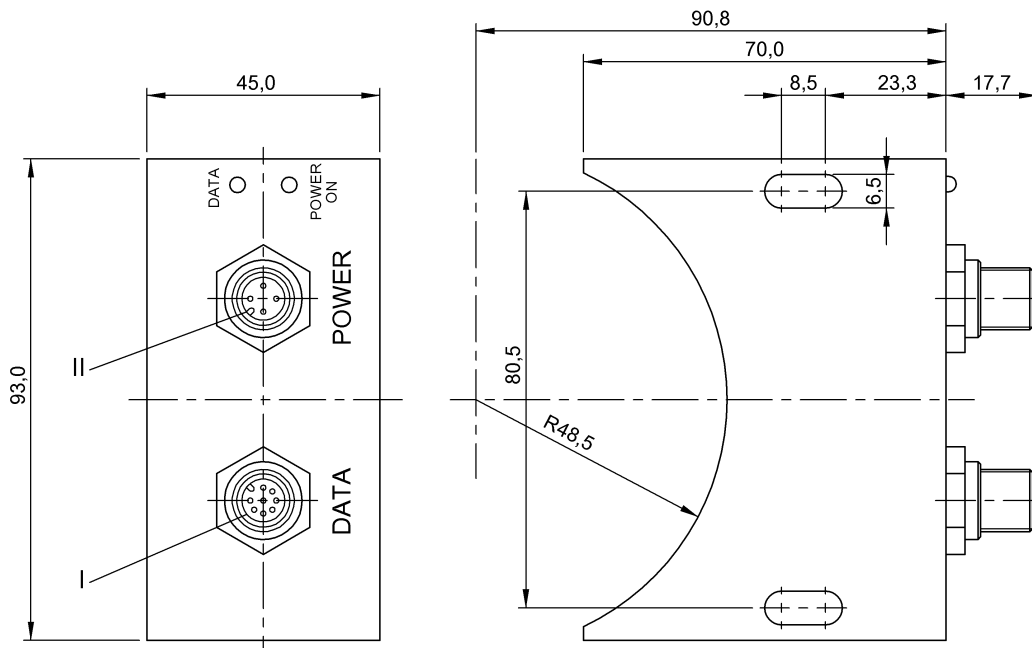


BIC 1I2-V1A18-R01K01-C01
BIC0049



Display/Operation

| | |
|--------------------|-----|
| Function indicator | yes |
| Power indicator | yes |

Electrical connection

| | |
|--------------------------|------------------|
| Connection 1 | M12x1, 4-pole |
| Connection 2 | M16x0.75, 8-pole |
| Short-circuit protection | yes |

Electrical data

| | |
|----------------------------------|------------------|
| Rated operating current I_e DC | 800 mA |
| Rated operating voltage U_e DC | 24 V |
| Signal type | 4 analog outputs |
| Switching frequency | 250 Hz |

Environmental conditions

| | |
|---------------------------|----------------------|
| Ambient temperature | 0...70 °C |
| Interference immunity | EN 61000-4-2/3/4/5/6 |
| Protection type IEC 60529 | IP67 |
| Storage temperature | -25...75 °C |

General data

| | |
|---------------------|------|
| Approval/Conformity | CE |
| Component | Base |

Material

| | |
|--------------------------|------|
| Housing material | PET |
| Material sensing surface | PETP |

Mechanical data

| | |
|--------------|-----------------|
| Dimension | 88 x 93 x 45 mm |
| Installation | stationary |
| Offset | ±1 mm |

Range/Distance

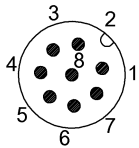
| | |
|---------------------------|----------|
| Range | 1...3 mm |
| Ripple max. (% of U_e) | 10 % |
| Transmission distance | 1...3 mm |

BIC 1I2-V1A18-R01K01-C01
BIC0049

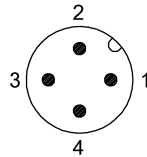
Remarks

Enclosure rating per IEC 60529, only in screwed state with the associated mating piece.
Use the base unit only with the BIC 2I2-V1A18-R01K01-SM3A30 Remote!
Recommended connectors for supply voltage: BCC M415-0000-... or BKS-S19-... Recommended connectors for data supply: BKS-S115-PU-...

Connector view



I PIN 1: Analog OUT 1 PIN 2: Analog GND 2 PIN 3: Analog OUT 2 PIN 4: Analog GND 4 PIN 5: Analog OUT 3 PIN 6: analog GND 1 PIN 7: Analog OUT 4 PIN 8: Analog GND 3



II PIN 1: 24V DC PIN 2: n.c. PIN 3: GND PIN 4: n.c.