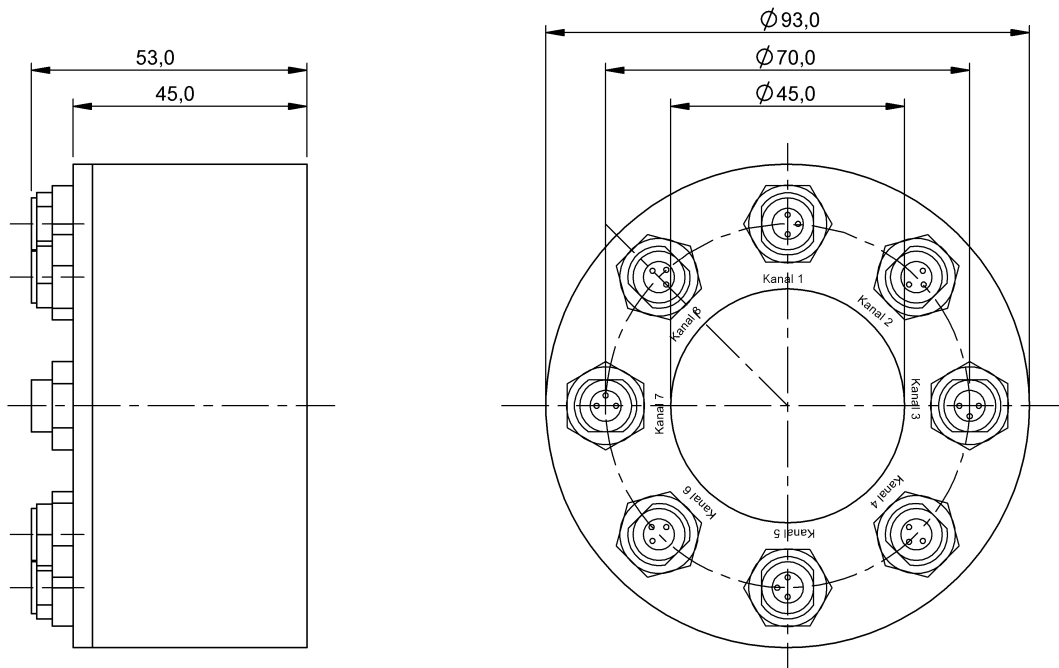


BIC 2I3-P2A16-R01K01-SM3A30 BIC003P



Electrical connection

| | |
|--------------------------|-----|
| Short-circuit protection | yes |
|--------------------------|-----|

Electrical data

| | |
|----------------------|------------------|
| Output voltage | 24 VDC |
| Rated output current | 160 mA |
| Signal type | 8 digital inputs |

Environmental conditions

| | |
|---------------------------|----------------------|
| Ambient temperature | 0...70 °C |
| Interference immunity | EN 61000-4-2/3/4/5/6 |
| Protection type IEC 60529 | IP67 |
| Storage temperature | -25...75 °C |

General data

| | |
|---------------------|--------|
| Approval/Conformity | CE |
| Component | Remote |

Material

| | |
|------------------|-----|
| Housing material | PET |
|------------------|-----|

| | |
|--------------------------|------|
| Material sensing surface | PETP |
|--------------------------|------|

Mechanical data

| | |
|--------------|-------------------|
| Installation | rotating on shaft |
| Offset | ±1 mm |
| Size | D93.0 |

Output/Interface

| | |
|----------------|-----|
| Digital inputs | PNP |
|----------------|-----|

Range/Distance

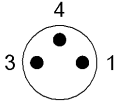
| | |
|-----------------------|----------|
| Range | 1...3 mm |
| Transmission distance | 1...3 mm |

Remarks

Enclosure rating per IEC 60529, only in screwed state with the associated mating piece.
Use the Remote only with the BIC 1I3-P2A16-R01K01-C03 base unit!
Suitable for use of PNP sensors!
Recommended field assembled connectors for sensors: BKS-S 82-00 or BKS-S 91-00

BIC 2I3-P2A16-R01K01-SM3A30
BIC003P

Connector view



PIN 1: +24V PIN 3: GND PIN 4: Input