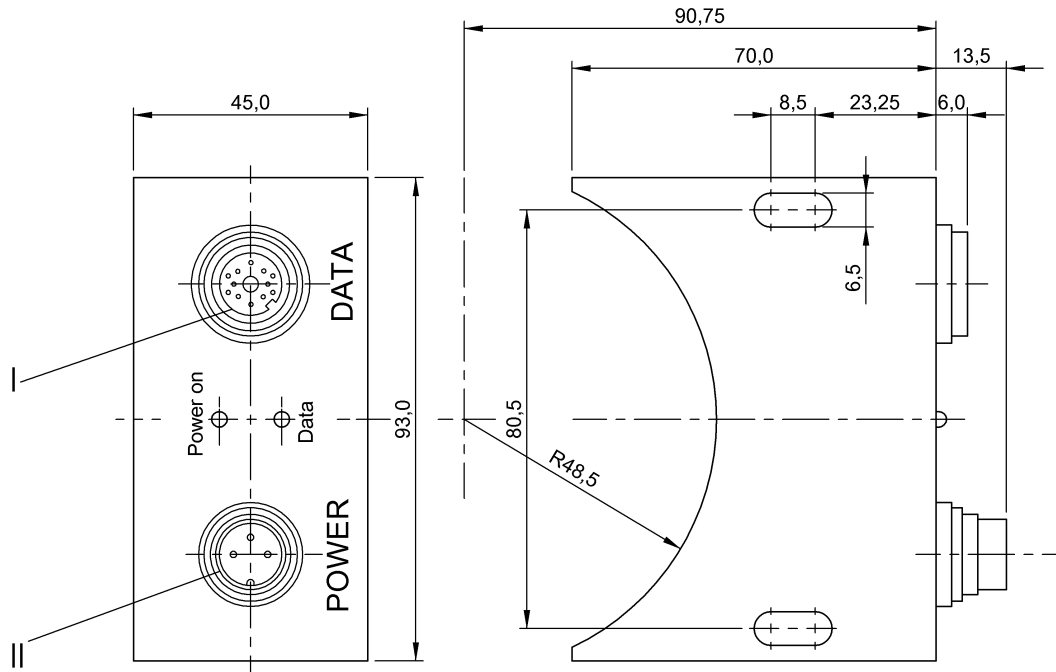


BIC 1I3-P2A16-R01K01-C03
BIC003N



Display/Operation

Function indicator	yes
Power indicator	yes

Electrical connection

Short-circuit protection	yes
--------------------------	-----

Electrical data

Current load per output max.	30 mA
Rated operating current I _e DC	700 mA
Rated operating voltage U _e DC	24 V
Signal type	8 digital inputs
Switching frequency	1000 Hz

Environmental conditions

Ambient temperature	0...70 °C
Interference immunity	EN 61000-4-2/3/4/5/6
Protection type IEC 60529	IP67
Storage temperature	-25...75 °C

General data

Approval/Conformity	CE
Component	Base

Material

Housing material	PET
Material sensing surface	PETP

Mechanical data

Dimension	83 x 93 x 45 mm
Installation	stationary

Output/Interface

Switching output	PNP
------------------	-----

Range/Distance

Range	1...3 mm
Ripple max. (% of U _e)	5 %
Transmission distance	1...3 mm

BIC 1I3-P2A16-R01K01-C03
BIC003N

Remarks

Use the base unit only with the BIC 2I3-P2A16-R01K01-SM3A30 Remote!
Enclosure rating per IEC 60529, only in screwed state with the associated mating piece.
Recommended connectors for supply voltage: BKS-S 96-PU-... Recommended connectors for data supply: BKS-S 97-PU-...

Connector view



I PIN 3: Output 3 PIN A: GND PIN B: GND PIN C:
Output 1 PIN D: Output 2 PIN F: Output 4 PIN G:
Output 5 PIN H: Output 6 PIN J: Output 7 PIN K:
Output 8 PIN L: "Power ON" Signal PIN M: Data
Signal

II PIN 1: GND PIN 2: +24V PIN 3: GND