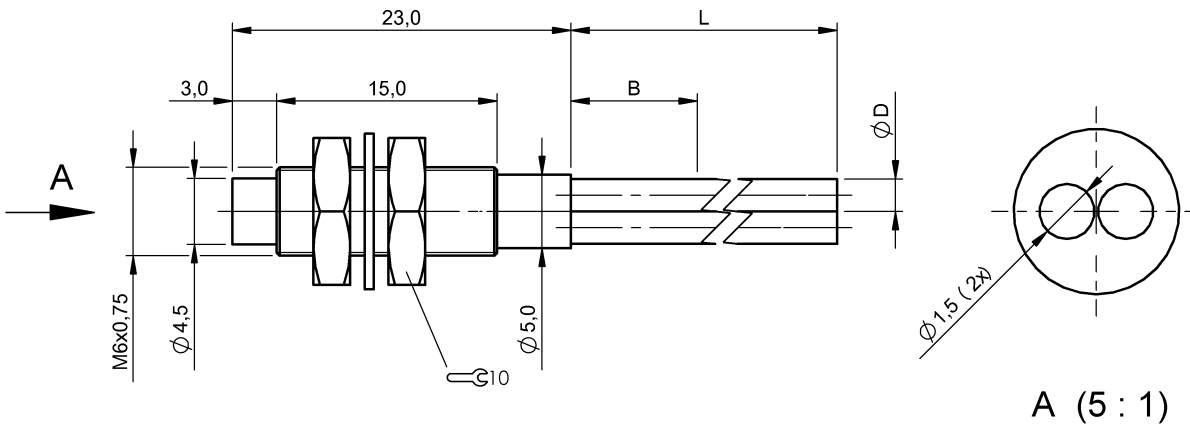


BFO D22-XAP-LB-EAK-30-02  
BFO0064



## Electrical connection

Cable diameter D	2.20 mm
Cable length	2 m
Cable, note	can be trimmed
Connection type	Cable, 2.00 m, PE

## Electrical data

Active surface, fibers	Ø 1.5 mm (2x)
------------------------	---------------

## Environmental conditions

Ambient temperature	-55...70 °C
Ambient temperature connection area	Acc. to fiber optic sensor
Protection type IEC 60529	IP65

## General data

Basic standard	IEC 60947-5-2
Reference base unit	BFB 75K-001-..
Version	M6, standard

## Material

Active surface, fiber arrangement	Adjacent to one another
Fiber type material	PMMA
Housing material	Stainless steel (1.4305)
Material jacket	PE

## Mechanical data

Cable, bending radius min.	40 mm
Dimension	Ø 6 x 23 mm
Fastening detail	Nut M6x0.75
Fiber optic cable, structure	Single fiber in plastic jacket
Tensile load max. at 20 °C	6 N (max. 3s)

## Optical data

Principle of optical operation	Retroreflective sensor
--------------------------------	------------------------

## Range/Distance

Effective operating distance Sr	180 mm
Range	180 mm
Rated operating distance Sn	180 mm

## Remarks

The cutting tool is included in the scope of delivery order other accessories separately.  
Cut cable to length: use suitable cutting tool. Make a single cut, vertical to cable axis. The cut quality can affect the switching distance.  
Reference object (target): gray card, 200 x 200, 90 % remission, axial approach.  
Route fiber optic cable so that no excessive tensile, compression or torsional forces are permitted. Observe permissible bending radiuses. Installation may affect the switching distance.

BFO D22-XAP-LB-EAK-30-02  
BFO0064

## Symbols for Optoelectronic Sensors

