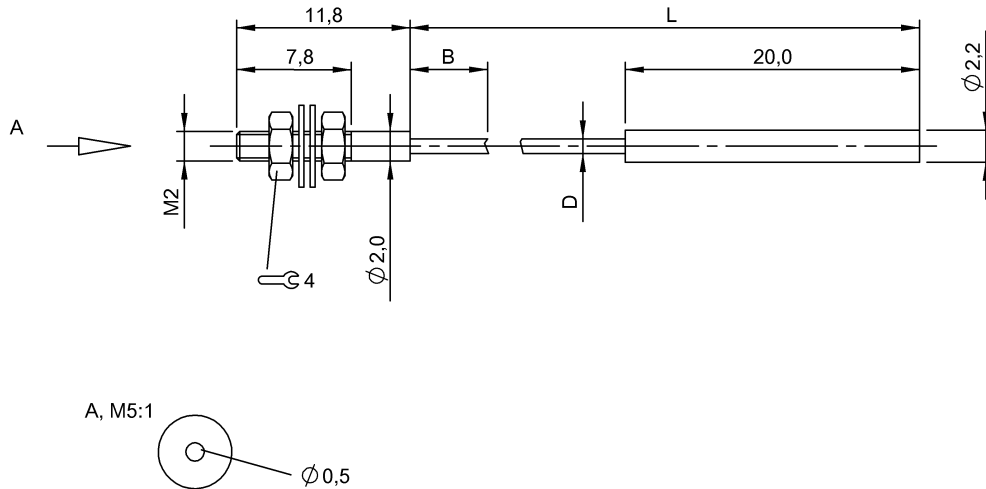


BFO N22-LA-FB-EAK-05-01 BFO000C



Electrical connection

Cable diameter D	1.00 mm
Cable length	1 m
Connection	Ø 2.2 mm
Connection type	Adapter sleeve, 1.00 m, PE

Electrical data

Active surface, fibers	Ø 0.5 mm (1x)
------------------------	---------------

Environmental conditions

Ambient temperature	-40...60 °C
Ambient temperature connection area	Acc. to fiber optic sensor
Protection type IEC 60529	IP65

General data

Basic standard	IEC 60947-5-2
Reference base unit	BFB 75K-001-..
Version	M2, standard

Material

Active surface, fiber arrangement	Single fiber
Fiber type material	PMMA
Housing material	Brass

Material jacket	PE
Surface protection	nickel plates

Mechanical data

Cable, bending radius min.	15 mm
Dimension	Ø 2 x 12 mm
Fastening detail	Nut M2
Fiber optic cable, structure	Single fiber in plastic jacket
Tensile load max. at 20 °C	6 N (max. 3s)

Optical data

Principle of optical operation	Through-beam sensor
--------------------------------	---------------------

Range/Distance

Effective operating distance Sr	140 mm
Range	140 mm
Rated operating distance Sn	140 mm

Remarks

The scope of delivery includes one set of fiber optics for the transmitter and one for the receiver.
Route fiber optic cable so that no excessive tensile, compression or torsional forces are permitted. Observe permissible bending radiuses. Installation may affect the switching distance.
Actuation object (target): gray card, 200 x 200, lateral approach

BFO N22-LA-FB-EAK-05-01
BFO000C

Symbols for Optoelectronic Sensors

