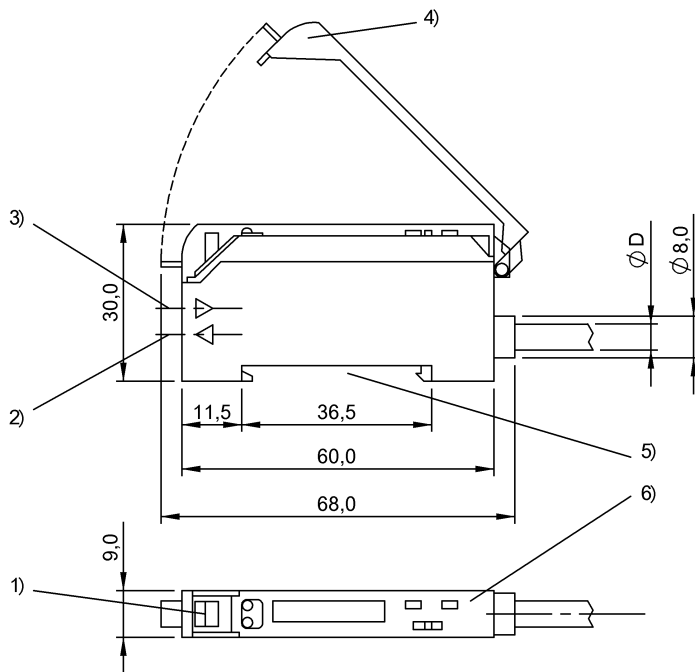


BOS 73K-PU-1FR-C-02 BOS003K



1) Fiber clamp 2) Emitter 3) Receiver 4) Removable cover 5) For DIN rail 35mm 6) Display and control panel



Display/Operation

Adjuster	Slide switch (1x) Key (2x)
Setting	Sensitivity level Time function LCD display function Delay time Key disable on/off Light-on/dark-on Hysteresis Sensitivity (Sn) Teach mode manual/auto

Electrical data

No-load current I_0 max. at U_e	50 mA
Operating voltage U_b	10...30 VDC
Rated operating current I_e DC	100 mA
Rated operating voltage U_e DC	24 V
Ready delay t_v max.	1300 ms
Switching frequency	1000 Hz / 833 Hz
Turn-off delay t_{off} max.	0.5/0.6 ms
Turn-on delay t_{on} max.	0.5/0.6 ms
Voltage drop U_d max. at I_e	2 V

Electrical connection

Cable diameter D	5.00 mm
Cable length	2 m
Conductor cross-section	0.20 mm ²
Connection type	Cable, 2.00 m, PUR
Fiber optics connection	Ø 2.2 mm
Number of conductors	5
Polarity reversal protected	yes
Short-circuit protection	yes

Environmental conditions

Ambient temperature	-25...55 °C
Protection type IEC 60529	IP54

General data

Approval/Conformity	CE
Basic standard	IEC 60947-5-2
Series	73K
Style	Square Straight connection

BOS 73K-PU-1FR-C-02 BOS003K

Material

Housing material	PC
Material jacket	PUR

Mechanical data

Dimension	9 x 30 x 68 mm
Fastening detail	DIN rail 35 mm

Optical data

Ambient light max.	10000 Lux
Light type	LED Red light
Principle of optical operation	depends on fiber optics
Wave length	660 nm

Output/Interface

Duration of time function	10...120 ms
---------------------------	-------------

Input function	Teach Sn
Supplementary output	Error output PNP
Switch function, supplementary output	Normally closed (NC)
Switching output	PNP Normally open/Normally closed (NO/NC)
Time function	switch-off delay On/off delay Turn-on delay

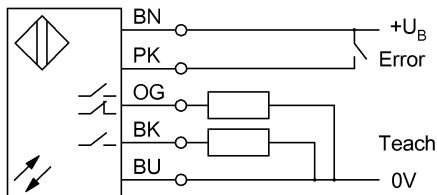
Range/Distance

Ripple max. (% of Ue)	10 %
-----------------------	------

Remarks

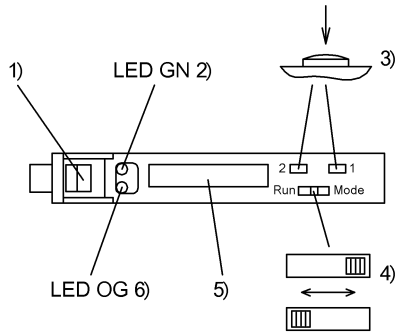
Order accessories separately.
For additional information, refer to user's guide.
The sensor is functional again after the overload has been eliminated.
Do not press key using a pointed tool.

Wiring Diagram



BOS 73K-PU-1FR-C-02
BOS003K

Additional View



1) Clamping lever 2) Stability 3) Teach-in, function select 4) Ready/Setup mode 5) Display 6) Output function

Symbols for Optoelectronic Sensors

