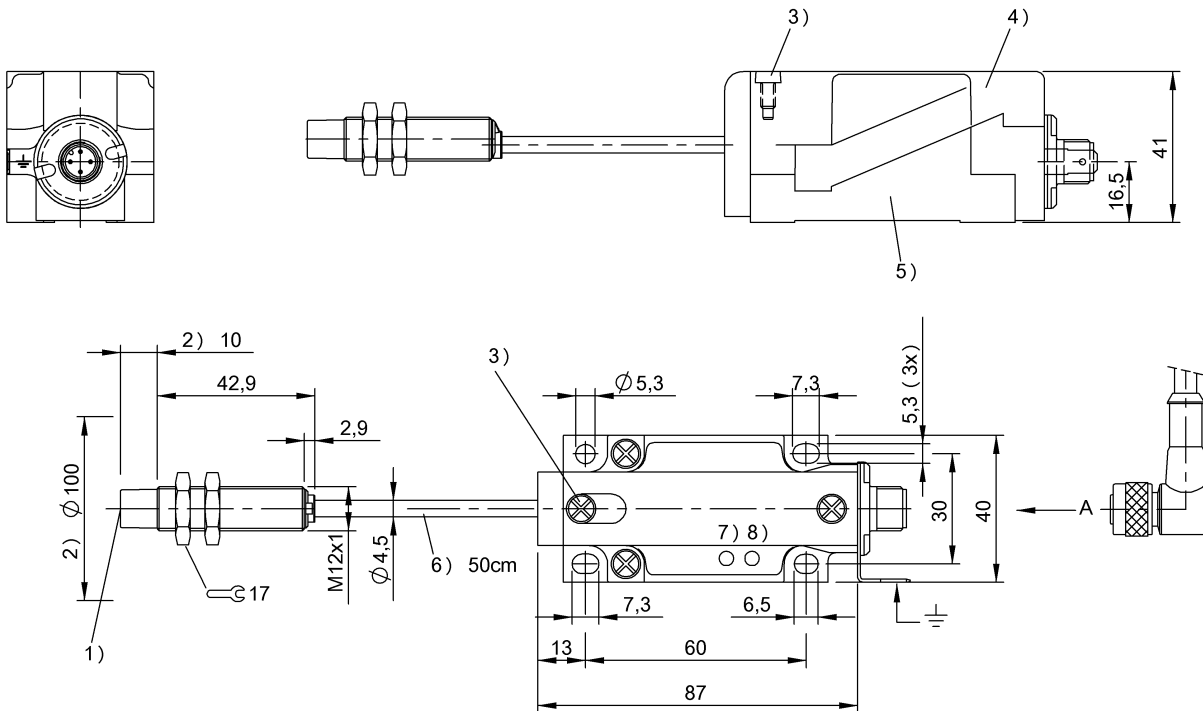


BIS L-409-045-003-07-S4
BIS00E1



1) Sensing surface 2) Clear zone 3) Locking screw 4) Module unit 5) Mounting base 6) Cable length 7) Power 8) Tag present



Display/Operation

Power (ON)	LED green
Tag Present (TP)	LED yellow

Electrical connection

Cable length	0.5 m
Connection	M12x1-Connector, 4-pole, A-coded
Connection type	Connector, 0.50 m, PU

Electrical data

Current consumption max. at 24 V DC	150 mA
Current load capacity in SIO	≤ 50 mA Output short circuit protected
EN 300330-1	Power Class 5
Operating voltage U_b	18...30 VDC

Environmental conditions

Ambient temperature	0...70 °C
EN 60068-2-27, Continuous shock load	yes

EN 60068-2-27, Shock	yes
EN 60068-2-6, Vibration	yes
Protection type IEC 60529	IP67
Storage temperature	-20...85 °C

Functional safety

Diagnostic coverage	0.0 %
EN 60068-2-32 Free fall	yes
Functional safety	no
Mission Time	20 a

General data

Antenna type	round
Approval/Conformity	CE UL-FILE E227256, Vol.X1, BIS

Material

Housing material	Brass, Interface PBT
Housing material, surface protection	nickel plates
Material jacket	PU

BIS L-409-045-003-07-S4
BIS00E1

Mechanical data

Application weight	170.00 g
Dimension	Ø 12 x 53 mm
Installation	with clear zone (in steel)
Size	M12x1

Output/Interface

Interface	IO-Link
-----------	---------

Range/Distance

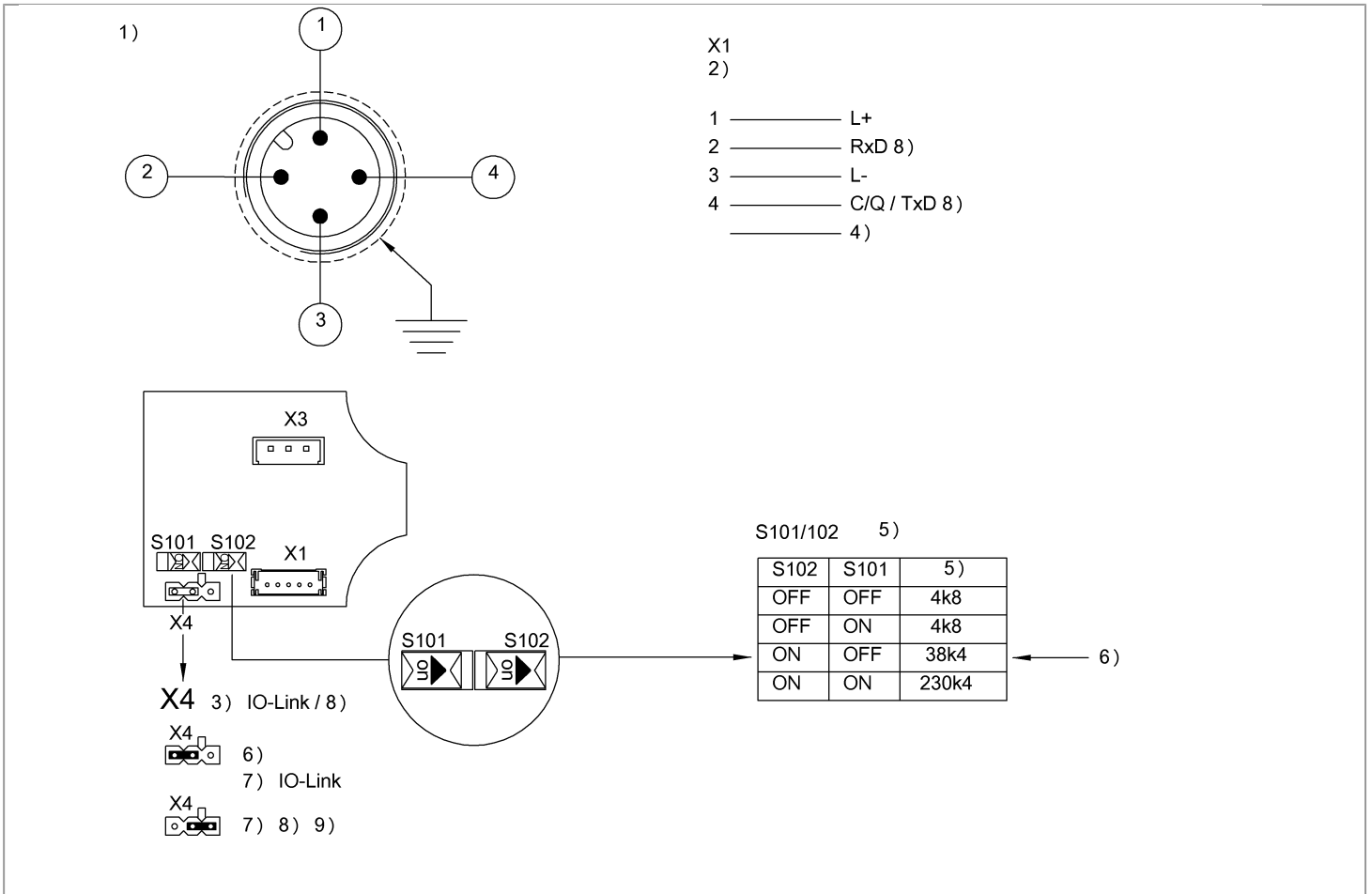
Residual ripple max.	1.3 Vpp
----------------------	---------

Remarks

For basic equipment see IO-Link catalog.
When installing, the technical standards and regulations of the corresponding countries must be observed.
Use included nuts for installation.
Values are under rated conditions unless otherwise specified.
Order accessories separately.
For installation in metal: Observe clear zone.

Additional View

BIS L-409-045-003-07-S4
BIS00E1



BIS L-40X-XXX-003-

Read Only	BIS L-203-03/L BIS L-103-05/L-RO metallfrei non metal					
passende Datenträger Appropriate data carriers						
Schreibabstand in mm Write distance in mm						
Leseabstand in mm Read distance in mm						
Versatz in mm bei Abstand von	0				0-11	
	3				±6	
	7				±6	
	8				±4	
	10				±4	
	12				±2	
	15					
	18					
	20					
	25					
	30					
	35					
	40					
	45					
	50					
	55					
	60					
	70					

BIS L-409-045-003-07-S4
BIS00E1