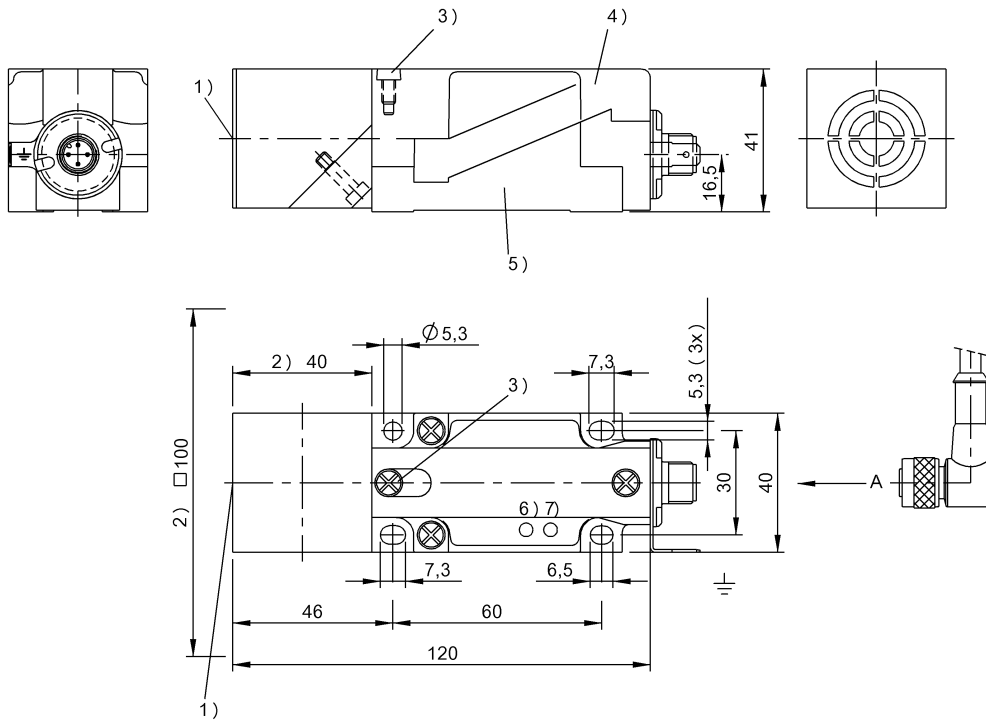


BIS L-409-045-001-07-S4
BIS00CZ



1) Sensing surface 2) Clear zone 3) Locking screw 4) Module unit 5) Mounting base 6) Power 7) Tag present



Display/Operation

Power (ON)	LED green
Tag Present (TP)	LED yellow

Electrical connection

Connection	M12x1-Connector, 4-pole, A-coded
------------	----------------------------------

Electrical data

Current consumption max. at 24 V DC	150 mA
Current load capacity in SIO	≤ 50 mA Output short circuit protected
EN 300330-1	Power Class 5
Operating voltage U_b	18...30 VDC

Environmental conditions

Ambient temperature	0...70 °C
EN 60068-2-27, Continuous shock load	yes
EN 60068-2-27, Shock	yes
EN 60068-2-6, Vibration	yes

Internet www.balluff.com
Balluff Germany +49 (0) 7158 173-0, 173-370
Balluff USA 1-800-543-8390
Balluff China +86 (0) 21-50 644131

Protection type IEC 60529

Storage temperature

IP67

-20...85 °C

Functional safety

Diagnostic coverage	0.0 %
EN 60068-2-32 Free fall	yes
Functional safety	no
Mission Time	20 a

General data

Antenna type	round
Approval/Conformity	CE UL-FILE E227256, Vol.X1, BIS

Material

Housing material	PBT
------------------	-----

Mechanical data

Application weight	220.00 g
Dimension	40 x 41 x 120 mm
Installation	with clear zone (in steel)

For definitions of terms, see main catalog
Subject to change without notice

eCl@ss 9.1: 27-28-04-01
ETIM 6.0: EC002996
BIS00CZ_09-03-17_23:33

1(5)

BIS L-409-045-001-07-S4
BIS00CZ

Output/Interface

Interface	IO-Link
-----------	---------

Range/Distance

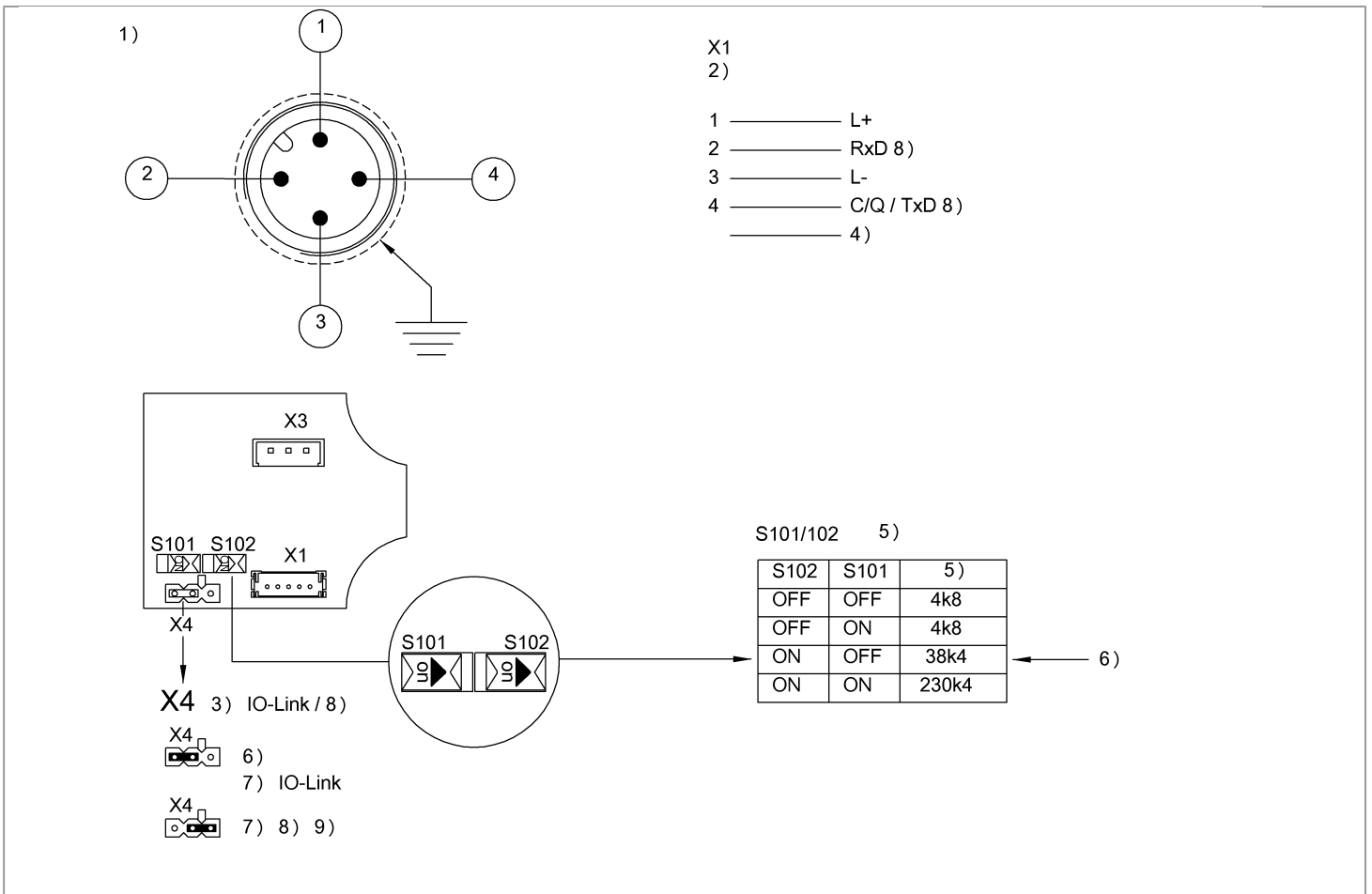
Residual ripple max.	1.3 Vpp
----------------------	---------

Remarks

For basic equipment see IO-Link catalog.
When installing, the technical standards and regulations of the corresponding countries must be observed.
Sensing face can be steplessly rotated (range 270°) and fixed with set screw
Values are under rated conditions unless otherwise specified.
Order accessories separately.
For installation in metal: Observe clear zone.

Additional View

BIS L-409-045-001-07-S4
BIS00CZ



BIS L-40X-XXX-001-__

Read Only

BIS L-200-03/L BIS L-100-05/L-RO	metalfrei non metal	BIS L-201-03/L BIS L-101-05/L-RO	metalfrei non metal	BIS L-202-03/L BIS L-102-05/L-RO	metalfrei non metal	BIS L-203-03/L BIS L-103-05/L-RO	metalfrei non metal
-------------------------------------	------------------------	-------------------------------------	------------------------	-------------------------------------	------------------------	-------------------------------------	------------------------

passende Datenträger
Appropriate data carriers

Schreibabstand in mm
Write distance in mm

Leseabstand in mm

Read distance in mm

Versatz in mm
bei Abstand von

Offset in mm
at distance

	0-30	0-40	0-55	0-20
0	±15	±20	±30	±10
3	±15	±20	±30	±10
7	±15	±20	±30	±10
8	±15	±20	±30	±10
10	±15	±20	±30	±10
12	±15	±20	±30	±10
15	±15	±20	±30	±10
18	±15	±20	±30	±10
20	±15	±20	±30	
25	±15	±20	±30	
30		±20	±30	
35		±20	±30	
40			±30	
45			±30	
50				
55				
60				
70				

BIS L-409-045-001-07-S4
BIS00CZ