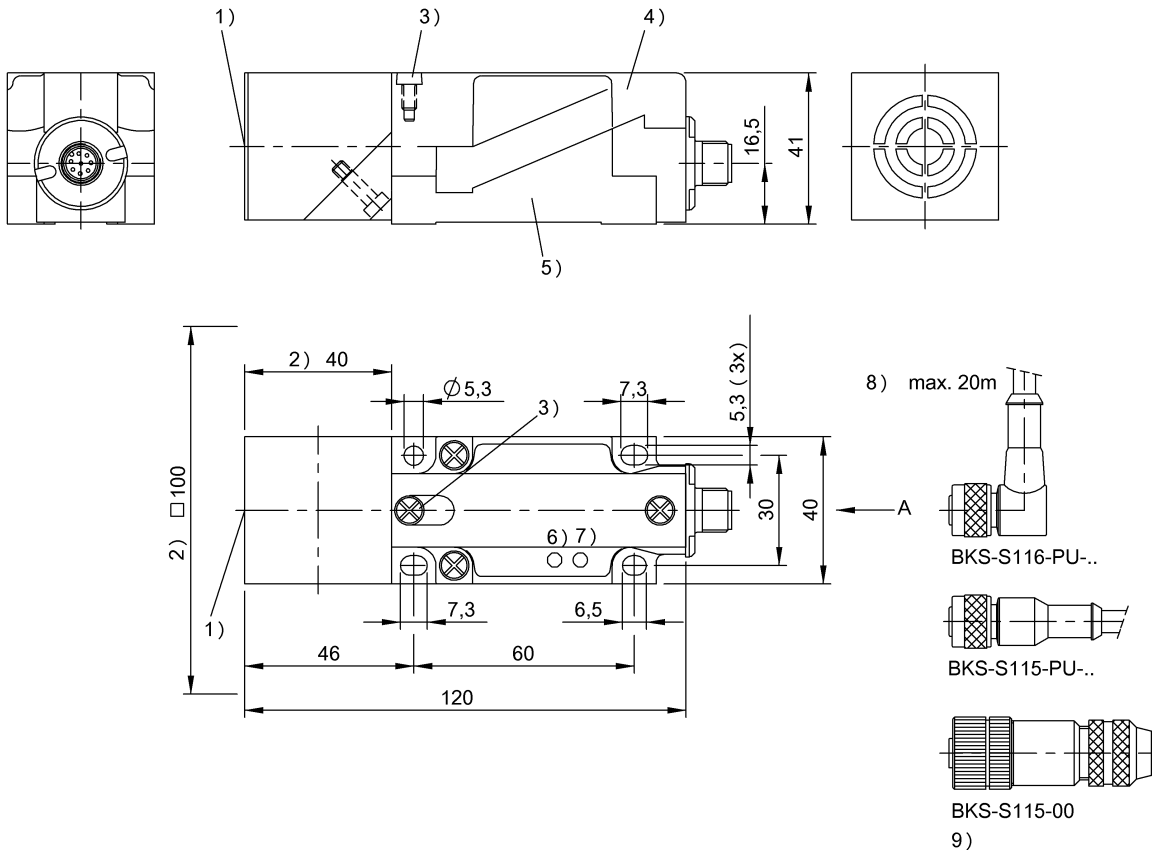


BIS L-400-035-001-00-S115
BIS00C5



1) Sensing surface 2) Clear zone 3) Locking screw 4) Module unit 5) Mounting base 6) Power 7) Tag present 8) Cable length 9) no cable



Display/Operation

Overflow	LED yellow, flashes
Power (ON)	LED green
Tag Present (TP)	LED yellow

Electrical connection

Connection	(RS232/TP OUT): M12x1-Connector, 8-pole
------------	---

Electrical data

Control output	1 PNP
Current consumption max. at 24 V DC	50 mA
EN 300330-1	Power Class 5
MTTF (40 °C)	15080 a
Operating voltage U_b	19.2...26.4 VDC

Environmental conditions

Ambient temperature	0...70 °C
EN 60068-2-27, Continuous shock load	yes
EN 60068-2-27, Shock	yes

EN 60068-2-6, Vibration	yes
Protection type IEC 60529	IP67
Storage temperature	-20...85 °C

Functional safety

Diagnostic coverage	0 %
EN 60068-2-32 Free fall	yes
Functional safety	no
Mission Time	0 a

General data

Antenna type	round
Approval/Conformity	CE UL-FILE E227256, Vol.X1, BIS

Material

Housing material	PBT
------------------	-----

Mechanical data

Application weight	170.00 g
Dimension	40 x 41 x 120 mm

Internet www.balluff.com
Balluff Germany +49 (0) 7158 173-0, 173-370
Balluff USA 1-800-543-8390
Balluff China +86 (0) 21-50 644131

For definitions of terms, see main catalog
Subject to change without notice

eCl@ss 9.1: 27-28-04-01
ETIM 6.0: EC002996
BIS00C5_09-03-17_23:32

BIS L-400-035-001-00-S115 BIS00C5

Installation with clear zone (in steel)

Output/Interface

Interface RS232

Range/Distance

Residual ripple max. included

Remarks

Order code for female with 5m cable: BKS-S116-PU-05

For basic equipment order female with cable.

* Connection RTS (TP) enables TP display in program BISCOMRW.EXE.

Values are under rated conditions unless otherwise specified.

Order accessories separately.

Sensing face can be steplessly rotated (range 270°) and fixed with set screw

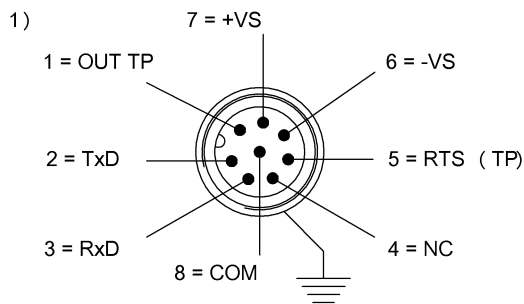
For installation in metal: Observe clear zone.

OUT TP switches to +24V when there is a data carrier in the zone.

For further information on MTTF/B10d, please refer to the MTTF / B10d Certificate.

Specification of the MTTF value and the B10d value do not represent any binding quality and/or life expectancy guarantees.

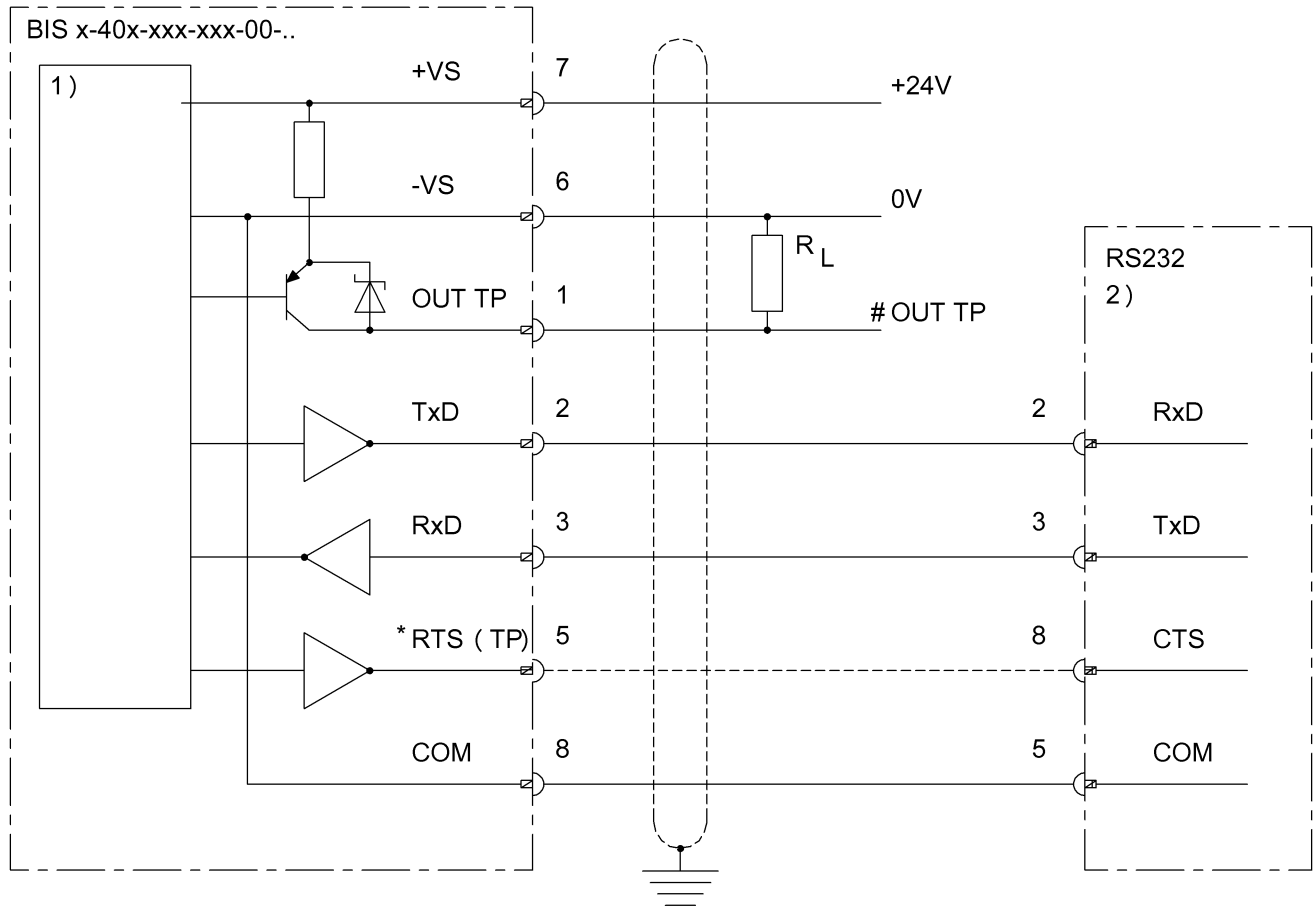
Connector view



1) View towards connector

BIS L-400-035-001-00-S115
BIS00C5

Wiring Diagram



1) Internal circuit 2) 9-pin connection

BIS L-400-035-001-00-S115
BIS00C5

Additional View

BIS L-40X-XXX-001-__

Read Only

BIS L-200-03/L BIS L-100-05/L-RO	metalfrei non metal	BIS L-201-03/L BIS L-101-05/L-RO	metalfrei non metal	BIS L-202-03/L BIS L-102-05/L-RO	metalfrei non metal	BIS L-203-03/L BIS L-103-05/L-RO	metalfrei non metal
-------------------------------------	------------------------	-------------------------------------	------------------------	-------------------------------------	------------------------	-------------------------------------	------------------------

passende Datenträger
Appropriate data carriers

Schreibabstand in mm
Write distance in mm

Leseabstand in mm
Read distance in mm

Versatz in mm
bei Abstand von

Offset in mm
at distance

	0-30	0-40	0-55	0-20
0	±15	±20	±30	±10
3	±15	±20	±30	±10
7	±15	±20	±30	±10
8	±15	±20	±30	±10
10	±15	±20	±30	±10
12	±15	±20	±30	±10
15	±15	±20	±30	±10
18	±15	±20	±30	±10
20	±15	±20	±30	
25	±15	±20	±30	
30		±20	±30	
35		±20	±30	
40			±30	
45			±30	
50				
55				
60				
70				

BIS L-400-035-001-00-S115
BIS00C5