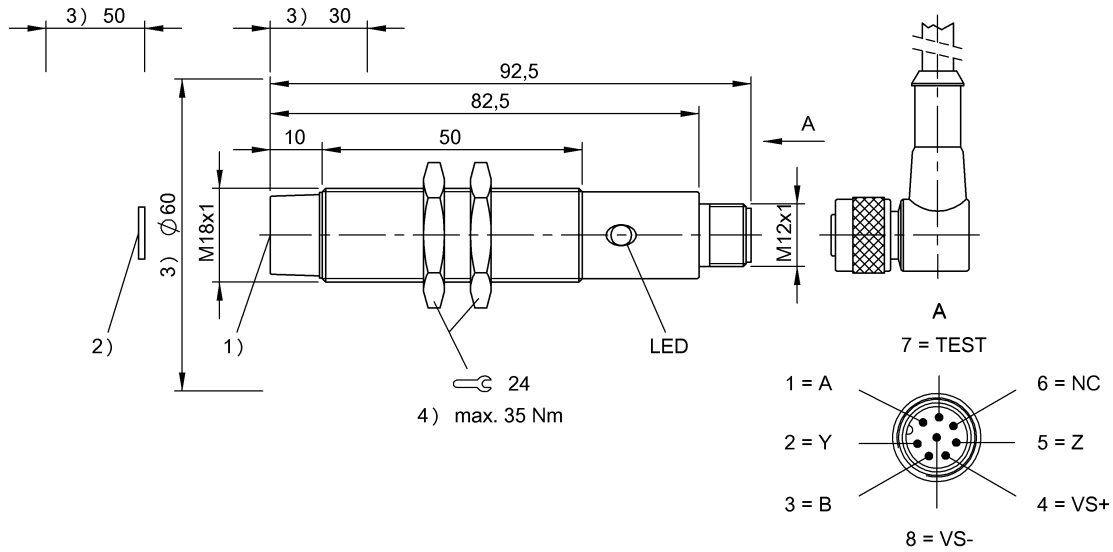


BIS M-302-001-S115
BIS0057



1) Sensing surface 2) Data carrier 3) Clear zone 4) Tightening torque



Display/Operation

Function indicator	TP (Tag Present) Power (ON) LED green LED yellow
--------------------	---

Electrical connection

Connection	Connector, 8-pole
------------	-------------------

Electrical data

EN 300330-1	Power Class 5
MTTF (40 °C)	242 a

Environmental conditions

Ambient temperature	0...70 °C
EN 60068-2-27, Continuous shock load	yes
EN 60068-2-27, Shock	yes
EN 60068-2-6, Vibration	yes
Protection type IEC 60529	IP67
Storage temperature	-20...85 °C

Functional safety

Diagnostic coverage	0 %
EN 60068-2-32 Free fall	yes
Functional safety	no
Mission Time	0 a

General data

Antenna type	round
Approval/Conformity	CE UL-FILE E227256, Vol.X1, BIS

Material

Housing material	Brass, Nickel-plated brass nuts
Housing material, surface protection	nickel plates

Mechanical data

Application weight	52.00 g
Dimension	Ø 18 x 92.5 mm
Installation	with clear zone (in steel)
Size	M18x1

Remarks

For installation in metal: Observe clear zone.
Values are under rated conditions unless otherwise specified.
Use included nuts for installation.
Only together with BIS M-6xxx
For basic equipment: Accessories see www.balluff.com

For further information on MTTF/B10d, please refer to the MTTF / B10d Certificate.

Specification of the MTTF value and the B10d value do not represent any binding quality and/or life expectancy guarantees.

BIS M-302-001-S115
BIS0057

Additional View

BIS M-302-001-S115
BIS0057