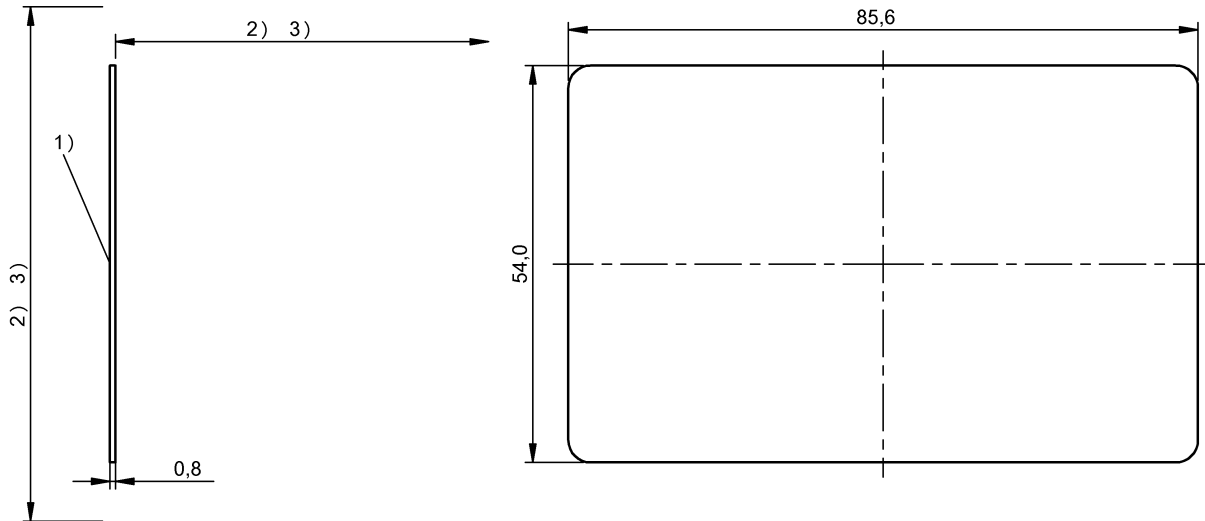


BIS M-120-01/L
BIS0047



1) Sensing surface 2) Clear zone 3) see corresponding R/W head



Electrical data

Data retention time/years	≥ 10
Memory capacity	752 Byte
Memory organization	47 × 16 bytes
Memory size, read	4 Byte
Programming cycles	≥ 100 000
Programming time	for 16 bytes: 0.040s
Read cycles	Unlimited
Read time	User ID for 4 bytes: 0.02s for 16 bytes: 0.02 s

Environmental conditions

Ambient temperature	-25...70 °C
EN 60068-2-27, Continuous shock load	yes
EN 60068-2-27, Shock	yes
EN 60068-2-6, Vibration	yes
Protection type IEC 60529	IP67
Storage temperature	-25...70 °C

Functional safety

Diagnostic coverage	0.0 %
---------------------	-------

EN 60068-2-32 Free fall	yes
Functional safety	no
Mission Time	0 a

General data

Antenna type	round
Approval/Conformity	CE
EN 55011	Size 1, Cl. A
EN 55022	Size 1, Cl. B

Material

Housing material	PVC
------------------	-----

Mechanical data

Application weight	5.80 g
Dimension	54 x 0.76 x 85.6 mm
Installation	with clear zone (in steel)

BIS M-120-01/L
BIS0047

Remarks

Values are under rated conditions unless otherwise specified.
Only when used together with the appropriate read/write head.
For installation requirements see corresponding read/write head.

Time specification includes data check.
Torsional, bending and impact loading is not permitted.
For installation in metal: Observe clear zone.