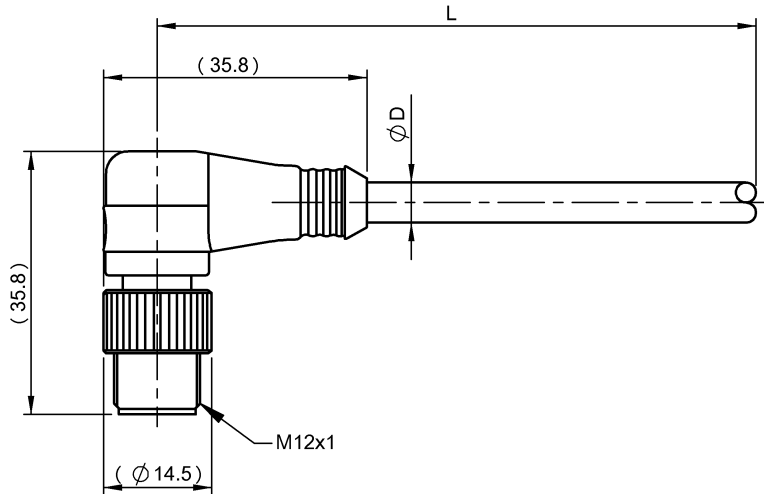


## BDN C-D12-DN-EDN-01-010M BCC07A6



### Electrical connection

|                                     |                           |
|-------------------------------------|---------------------------|
| Bending radius min., fixed cable    | 3 x D                     |
| Bending radius min., flexible cable | 12 x D                    |
| Cable                               | TPE Shielded gray, 1.00 m |
| Cable diameter D                    | 7.60 mm                   |
| Conductor cross-section             | AWG 22/AWG 24             |
| Number of conductors                | 4                         |
| Number of pins                      | 5                         |
| System                              | Molded                    |

### Electrical data

|                        |                  |
|------------------------|------------------|
| Conductor construction | 2x2 twisted-pair |
| Rated current (40 °C)  | 4.0 A            |

### Environmental conditions

|                           |               |
|---------------------------|---------------|
| Ambient temperature       | -20... 105 °C |
| Protection type IEC 60529 | IP68          |

### General data

|                     |                |
|---------------------|----------------|
| Application         | DeviceNet Thin |
| Approval/Conformity | cCSAus         |

### Material

|                          |                  |
|--------------------------|------------------|
| Material contact carrier | PVC              |
| Material contacts        | Brass            |
| Material cover nut       | Zincepoxy coated |
| Material grip            | PVC              |

### Mechanical data

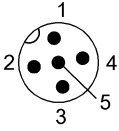
|                           |        |
|---------------------------|--------|
| Tightening torque pigtail | 0.6 Nm |
|---------------------------|--------|

### Remarks

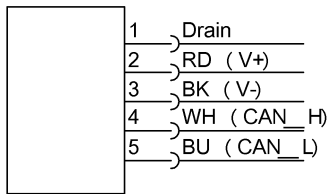
Enclosure rating per IEC 60529, only in screwed state with the associated mating piece.

BDN C-D12-DN-EDN-01-010M  
BCC07A6

## Connector view



## Wiring Diagram



L