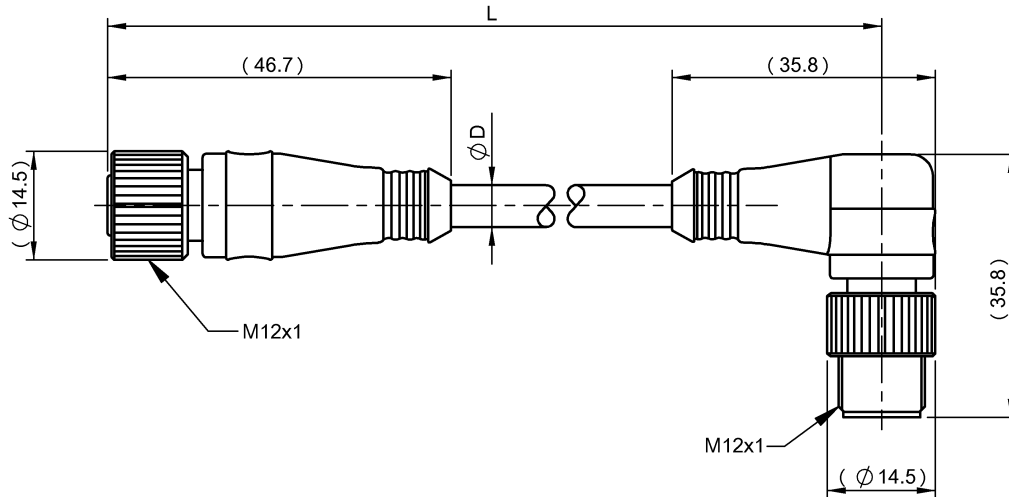


BDN C-D12-AD-EDD-01-010M  
BCC077U



## Electrical connection

Bending radius min., fixed cable	3 x D
Bending radius min., flexible cable	12 x D
Cable	TPE Shielded gray, 1.00 m, Drag chain compatible
Cable diameter D	7.30 mm ±0.60 mm
Cable, bending cycles min.	1 million
Conductor cross-section	AWG 22/AWG 24
Number of conductors	4
Number of pins	5
System	Molded/Molded

## Electrical data

Conductor construction	2x2 twisted-pair
Rated current (40 °C)	4.0 A

## Environmental conditions

Ambient temperature	-20...80 °C
Protection type IEC 60529	IP67

## General data

Application	DeviceNet Thin
Approval/Conformity	cCSAus

## Material

Cable shield	Aluminum foil and copper braid
Material contact carrier	PA 6.6
Material contacts	Bronze/Brass
Material cover nut	Zincepoxy coated
Material grip	PVC

## Mechanical data

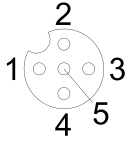
Tightening torque pigtail	0.6 Nm/0.6 Nm
---------------------------	---------------

## Remarks

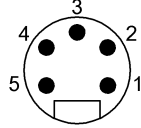
Enclosure rating per IEC 60529, only in screwed state with the associated mating piece.

BDN C-D12-AD-EDD-01-010M  
BCC077U

## Connector view

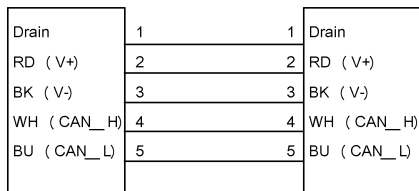


PIN 1: brown PIN 2: white PIN 3: blue PIN 4:  
black PIN 5: gray



Bus in PIN 1: shield PIN 2: +24V PIN 3: 0V PIN 4:  
CAN H PIN 5: CAN L

## Wiring Diagram



L