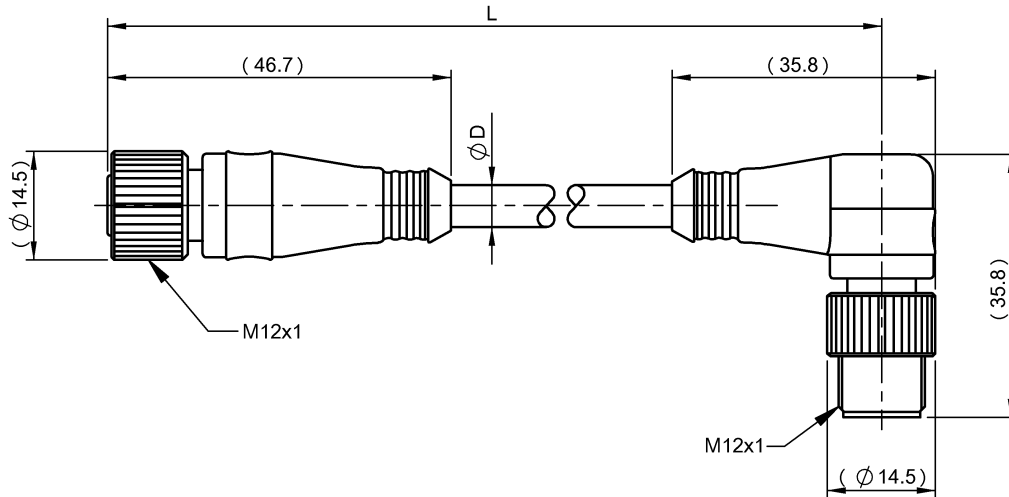


BDN C-D12-AD-EDD-01-005M
BCC077T



Electrical connection

Bending radius min., fixed cable	3 x D
Bending radius min., flexible cable	12 x D
Cable	TPE Shielded gray, 0.50 m, Drag chain compatible
Cable diameter D	7.30 mm ±0.60 mm
Cable, bending cycles min.	1 million
Conductor cross-section	AWG 22/AWG 24
Number of conductors	4
Number of pins	5
System	Molded/Molded

Electrical data

Conductor construction	2x2 twisted-pair
Rated current (40 °C)	4.0 A

Environmental conditions

Ambient temperature	-20...80 °C
Protection type IEC 60529	IP67

General data

Application	DeviceNet Thin
Approval/Conformity	cCSAus

Material

Cable shield	Aluminum foil and copper braid
Material contact carrier	PA 6.6
Material contacts	Bronze/Brass
Material cover nut	Zincepoxy coated
Material grip	PVC

Mechanical data

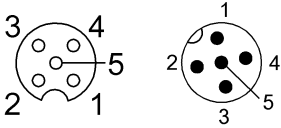
Tightening torque pigtail	0.6 Nm/0.6 Nm
---------------------------	---------------

Remarks

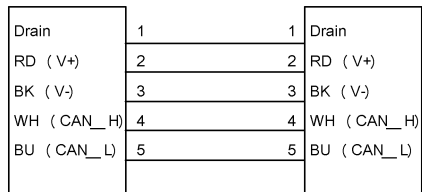
Enclosure rating per IEC 60529, only in screwed state with the associated mating piece.

BDN C-D12-AD-EDD-01-005M
BCC077T

Connector view



Wiring Diagram



L