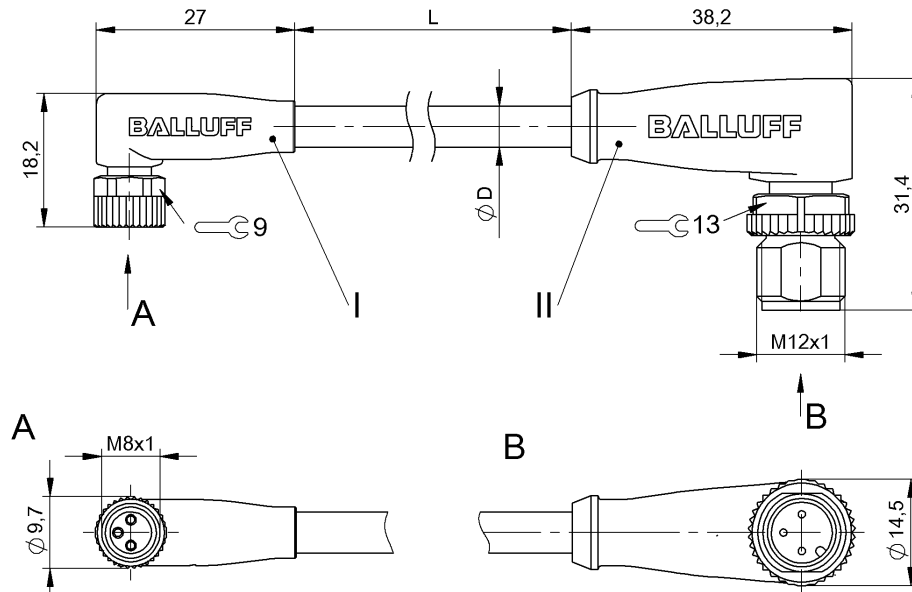


BCC M323-M423-3E-603-EX43T2-010  
BCC059C



4MT5  
(CJ/V CABLE ASSEMBLY)

## Display/Operation

Function indicator (Pin 4)	LED yellow
Power indicator	LED green/no

## Electrical connection

Bending radius min., fixed cable	5 x D
Bending radius min., flexible cable	10 x D
Cable	TPE yellow, 1.00 m, Drag chain compatible
Cable diameter D	5.30 mm ±0.13 mm
Cable, bending cycles min.	10 million
Conductor cross-section	AWG 22
Number of conductors	3
Number of pins	3/3
System	Molded/Molded

## Electrical data

Cable rated voltage AC max.	300.0 V
Cable rated voltage DC max.	300.0 V
Operating voltage $U_b$	10...30 VDC
Rated current (40 °C)	4.0 A

## Environmental conditions

Cable temperature, fixed routing	-50...105 °C
----------------------------------	--------------

Cable temperature, flexible routing	-25...105 °C
Protection type IEC 60529	IP67 /IP68

## General data

Approval/Conformity	cULus LISTED
---------------------	--------------

## Material

Material contact carrier	PUR/PUR
Material contacts	Bronze/Brass
Material cover nut	Die-cast zinc/Die-cast zinc
Material grip	TPU/TPU

## Mechanical data

Tightening torque pigtail	0.4 Nm/0.6 Nm
---------------------------	---------------

## Output/Interface

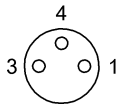
Switching output	NPN Normally open (NO)
------------------	------------------------

## Remarks

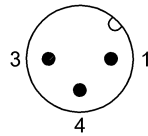
Enclosure rating per IEC 60529, only in screwed state with the associated mating piece.  
Cable construction acc. to UL-AWM Style 2037  
Flame resistance acc. to IEC 332-2

BCC M323-M423-3E-603-EX43T2-010  
BCC059C

## Connector view

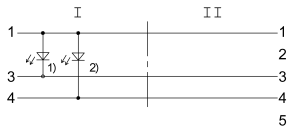


I



II

## Wiring Diagram



1) Green LED = Power 2) Yellow LED = Function