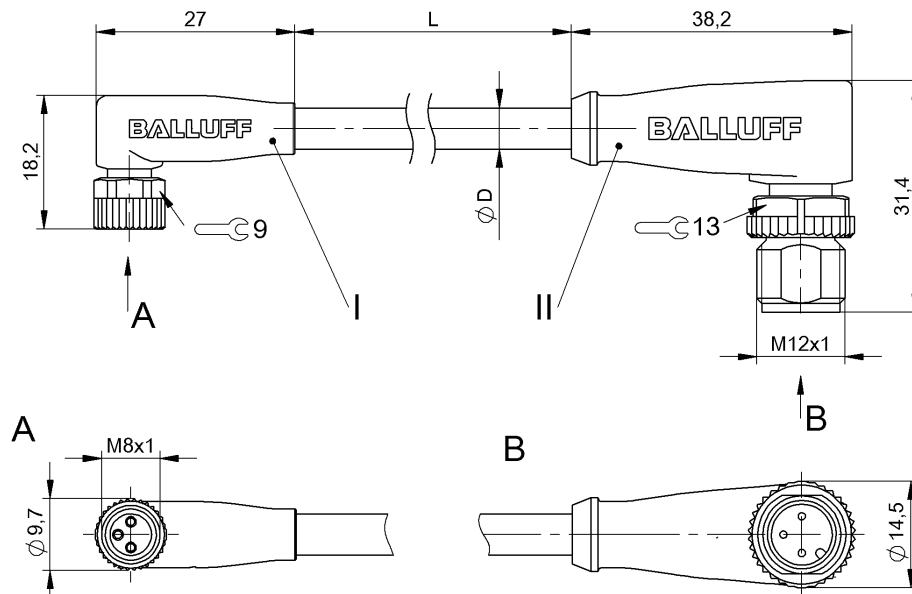


BCC M323-M423-3E-602-EX43T2-010
BCC0592



4MT5
(CJ/V CABLE ASSEMBLY)

Display/Operation

| | |
|----------------------------|--------------|
| Function indicator (Pin 4) | LED yellow |
| Power indicator | LED green/no |

Electrical connection

| | |
|-------------------------------------|---|
| Bending radius min., fixed cable | 5 x D |
| Bending radius min., flexible cable | 10 x D |
| Cable | TPE yellow, 1.00 m, Drag chain compatible |
| Cable diameter D | 5.30 mm ±0.13 mm |
| Cable, bending cycles min. | 10 million |
| Conductor cross-section | AWG 22 |
| Number of conductors | 3 |
| Number of pins | 3/3 |
| System | Molded/Molded |

Electrical data

| | |
|-----------------------------|-------------|
| Cable rated voltage AC max. | 300.0 V |
| Cable rated voltage DC max. | 300.0 V |
| Operating voltage U_b | 10...30 VDC |
| Rated current (40 °C) | 4.0 A |

Environmental conditions

| | |
|----------------------------------|--------------|
| Cable temperature, fixed routing | -50...105 °C |
|----------------------------------|--------------|

| | |
|-------------------------------------|--------------|
| Cable temperature, flexible routing | -25...105 °C |
| Protection type IEC 60529 | IP67 /IP68 |

General data

| | |
|---------------------|--------------|
| Approval/Conformity | cULus LISTED |
|---------------------|--------------|

Material

| | |
|--------------------------|-----------------------------|
| Material contact carrier | PUR/PUR |
| Material contacts | Bronze/Brass |
| Material cover nut | Die-cast zinc/Die-cast zinc |
| Material grip | TPU/TPU |

Mechanical data

| | |
|---------------------------|---------------|
| Tightening torque pigtail | 0.4 Nm/0.6 Nm |
|---------------------------|---------------|

Output/Interface

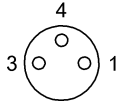
| | |
|------------------|------------------------|
| Switching output | PNP Normally open (NO) |
|------------------|------------------------|

Remarks

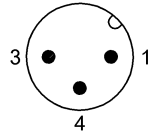
Enclosure rating per IEC 60529, only in screwed state with the associated mating piece.
Cable construction acc. to UL-AWM Style 2037
Flame resistance acc. to IEC 332-2

BCC M323-M423-3E-602-EX43T2-010
BCC0592

Connector view

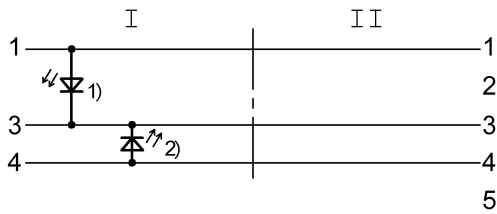


I



II

Wiring Diagram



1) Green LED = Power 2) Yellow LED = Function