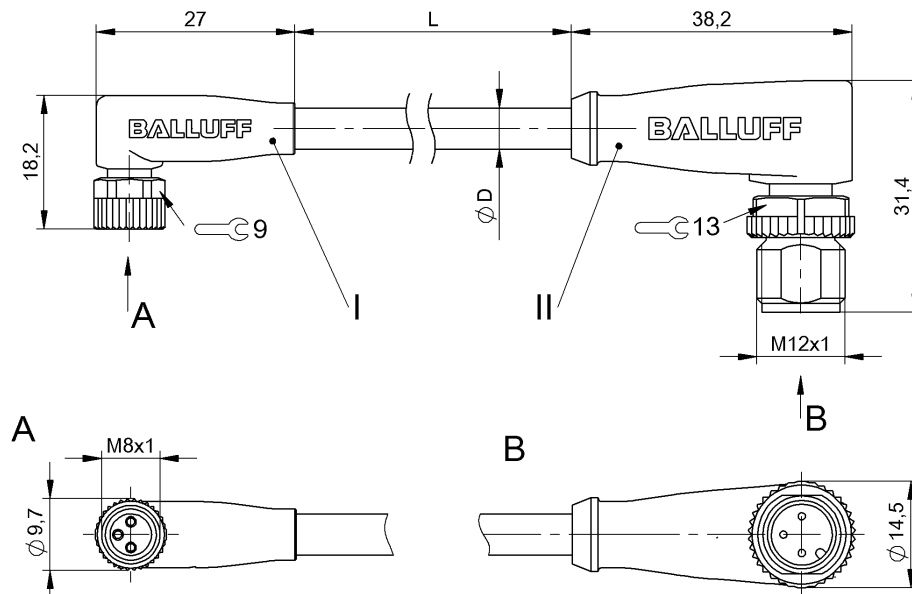


BCC M323-M423-3E-300-VX43T2-010  
BCC0591



4MT5  
(CJ/V CABLE ASSEMBLY)

## Electrical connection

Cable	PVC yellow, 1.00 m
Cable diameter D	4.70 mm $\pm$ 0.13 mm
Conductor cross-section	AWG 22
Number of conductors	3
Number of pins	3/3
System	Molded/Molded

## Electrical data

Cable rated voltage AC max.	300.0 V
Cable rated voltage DC max.	300.0 V
Horizontal travel permitted, drag chain	5 m
Rated current (40 °C)	4.0 A
Vertical travel permitted, drag chain	2 m at 5 m/sec <sup>2</sup>

## Environmental conditions

Cable temperature, fixed routing	-40...105 °C
Cable temperature, flexible routing	-5...105 °C
Protection type IEC 60529	IP67 /IP68

## General data

Approval/Conformity	cULus LISTED
---------------------	--------------

## Material

Material contact carrier	PUR/PUR
Material contacts	Bronze/Brass
Material cover nut	Die-cast zinc/Die-cast zinc
Material grip	TPU/TPU

## Mechanical data

Tightening torque pigtail	0.4 Nm/0.6 Nm
Traverse speed max., drag chain	200 m/min

## Remarks

Enclosure rating per IEC 60529, only in screwed state with the associated mating piece.  
Bulk cable approval per UL-AWM Style 2661 & CSA AWM I/III A/B

BCC M323-M423-3E-300-VX43T2-010  
BCC0591

## Connector view



## Wiring Diagram

