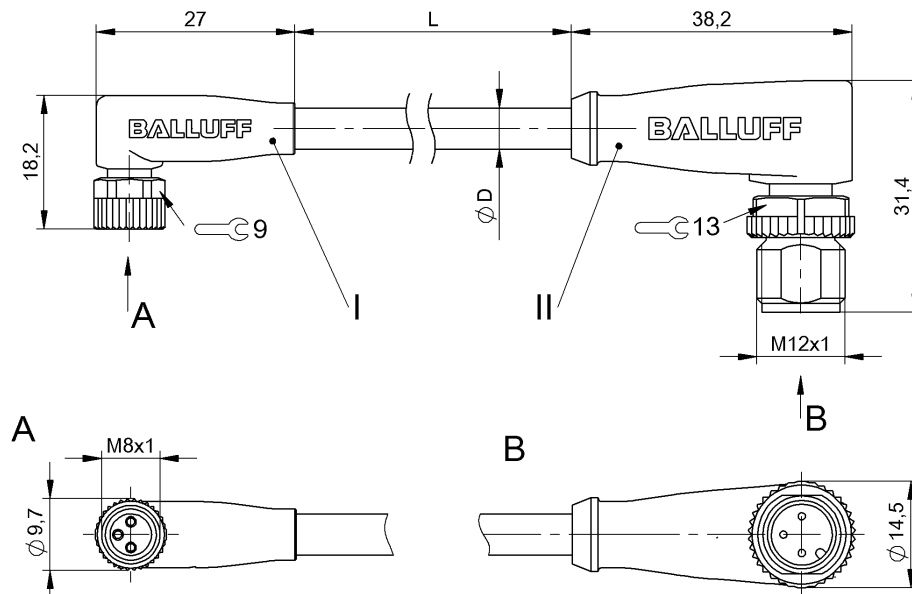


BCC M323-M423-3E-300-VX8334-015
BCC03J9



4MT5
(CJ/V CABLE ASSEMBLY)

Cable temperature UL max., flexible routing 80 °C

Electrical connection

Bending radius min., fixed cable	5 x D
Bending radius min., flexible cable	10 x D
Cable	PVC gray, 1.50 m, Drag chain compatible
Cable diameter D	4.50 mm ±0.15 mm
Cable, bending cycles min.	2 million
Conductor cross-section	0.34 mm ²
Number of conductors	3
Number of pins	3/3
System	Molded/Molded

General data

Approval/Conformity cULus LISTED

Material

Material contact carrier	PUR/PUR
Material contacts	Bronze/Brass
Material cover nut	Die-cast zinc/Die-cast zinc
Material grip	PUR/PUR

Electrical data

Horizontal travel permitted, drag chain	5 m
Vertical travel permitted, drag chain	2 m

Mechanical data

Acceleration max., drag chain	5 m/s ²
Tightening torque pigtail	0.4 Nm/0.6 Nm
Traverse speed max., drag chain	200 m/min

Environmental conditions

Cable temperature, drag chain	-5...60 °C
Cable temperature, fixed routing	-40...105 °C
Cable temperature, flexible routing	5...105 °C
Protection type IEC 60529	IP67 /IP68

Remarks

Enclosure rating per IEC 60529, only in screwed state with the associated mating piece.
Cable construction acc. to UL-AWM Style 2517
Silicone-free
Flame-retarding acc. to IEC 60332-2

Functional safety

Cable temperature UL max., fixed routing 80 °C

BCC M323-M423-3E-300-VX8334-015
BCC03J9

Connector view



Wiring Diagram

