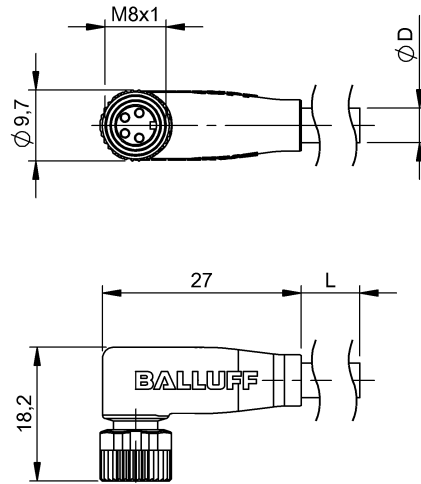


BCC M324-0000-10-008-VX8434-020  
BCC02PU



4MT5  
(CJ/JV CABLE ASSEMBLY)

## Display/Operation

Function indicator (Pin 4)	LED yellow
Power indicator	LED green

## Electrical connection

Bending radius min., fixed cable	5 x D
Bending radius min., flexible cable	10 x D
Cable	PVC gray, 2.00 m, Drag chain compatible
Cable diameter D	4.80 mm ±0.15 mm
Cable, bending cycles min.	2 million
Conductor cross-section	0.34 mm <sup>2</sup>
Number of conductors	4
Number of pins	4
System	Molded

## Electrical data

Horizontal travel permitted, drag chain	5 m
Operating voltage U <sub>b</sub>	30 VDC
Rated current (40 °C)	4.0 A
Vertical travel permitted, drag chain	2 m

## Environmental conditions

Cable temperature, drag chain	-5...60 °C
Cable temperature, fixed routing	-40...105 °C
Cable temperature, flexible routing	-5...105 °C
Protection type IEC 60529	IP67

## Functional safety

Cable temperature UL max., fixed routing	80 °C
Cable temperature UL max., flexible routing	80 °C

## General data

Approval/Conformity	cULus LISTED
---------------------	--------------

## Material

Material contact carrier	PUR
Material contacts	Bronze
Material cover nut	Die-cast zinc
Material grip	PUR

## Mechanical data

Acceleration max., drag chain	5 m/s <sup>2</sup>
Tightening torque pigtail	0.4 Nm
Traverse speed max., drag chain	200 m/min

## Output/Interface

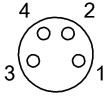
Switching output	PNP Normally open/Normally closed (NO/NC)
------------------	---

## Remarks

Enclosure rating per IEC 60529, only in screwed state with the associated mating piece.  
Cable construction acc. to UL-AWM Style 2517  
Silicone-free  
Flame-retarding acc. to IEC 60332-2

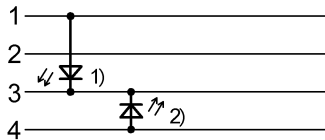
BCC M324-0000-10-008-VX8434-020  
BCC02PU

## Connector view



PIN 1: brown PIN 2: white PIN 3: blue PIN 4: black

## Wiring Diagram



1) Green LED = Power 2) Yellow LED = Function