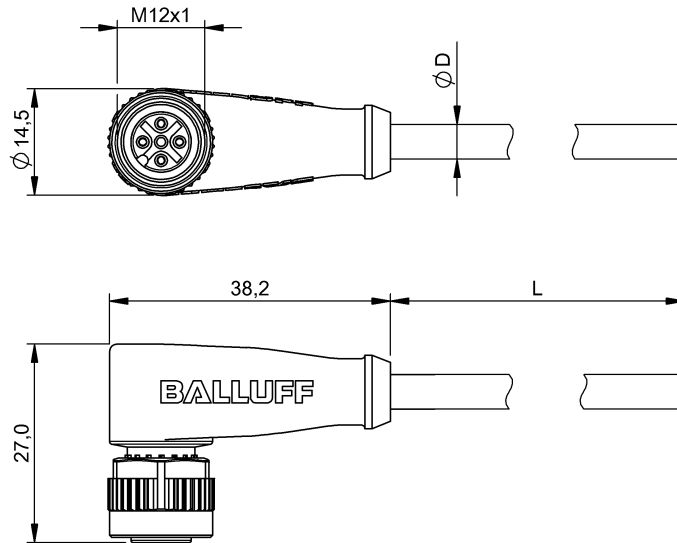


BCC M425-0000-1A-002-PX43T2-050  
BCC05T2



4MT5  
(CJ/V CABLE ASSEMBLY)

## Electrical connection

Bending radius min., fixed cable	5 x D
Bending radius min., flexible cable	10 x D
Cable	PUR yellow, 5.00 m, Drag chain compatible
Cable diameter D	4.30 mm ±0.20 mm
Cable, bending cycles min.	5 million
Conductor cross-section	AWG 22
Number of conductors	3
Number of pins	5
System	Molded

## Electrical data

Cable rated voltage AC max.	300.0 V
Cable rated voltage DC max.	300.0 V
Horizontal travel permitted, drag chain	5 m
Rated current (40 °C)	4.0 A
Vertical travel permitted, drag chain	2 m

## Environmental conditions

Cable temperature, fixed routing	-50...90 °C
Cable temperature, flexible routing	-25...90 °C
Protection type IEC 60529	IP68

## Functional safety

Cable temperature UL max., fixed routing	80 °C
------------------------------------------	-------

Cable temperature UL max., flexible routing 80 °C

## General data

Approval/Conformity	cULus LISTED
---------------------	--------------

## Material

Material contact carrier	PUR
Material contacts	Bronze
Material cover nut	Die-cast zinc
Material grip	TPU

## Mechanical data

Acceleration max., drag chain	5 m/s <sup>2</sup>
Tightening torque pigtail	0.6 Nm
Traverse speed max., drag chain	200 m/min

## Remarks

Enclosure rating per IEC 60529, only in screwed state with the associated mating piece.

Cable construction acc. to UL-AWM Style 10493

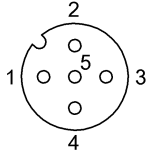
Bulk cable approval per UL+CSA, UL-AWM Style 21198 or 20549

Halogen-free per DIN VDE 0472 Part 815

Flame resistance acc. to FT1

BCC M425-0000-1A-002-PX43T2-050  
BCC05T2

## Connector view



PIN 1: brown PIN 2: black PIN 3: blue

## Wiring Diagram

