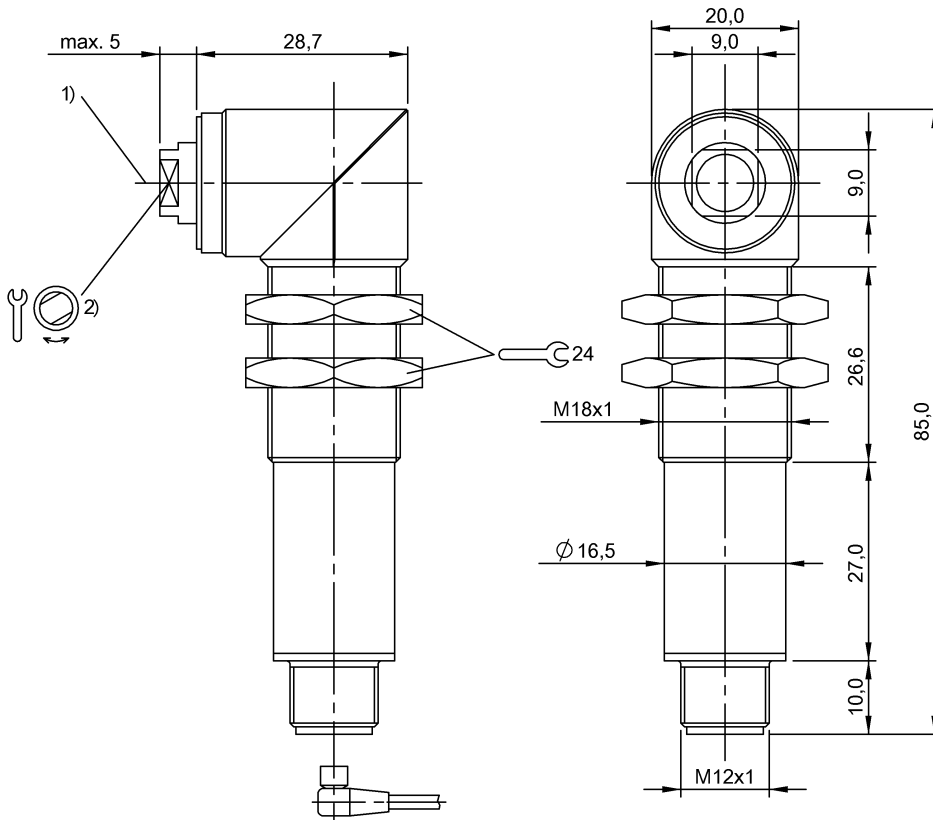


## BLS 18MR-XX-1LT-S4-C BOS00AU



1) Optical axis 2) Focus distance



### Display/Operation

Adjuster	Adjusting nut (1x)
Setting	Focusing distance

### Electrical connection

Connection	M12x1-Connector, 4-pole, A-coded
Polarity reversal protected	yes

### Electrical data

MTTF (40 °C)	15 a
No-load current to max. at U <sub>e</sub>	10 mA
Operating voltage U <sub>b</sub>	10...30 VDC
Protected against miswiring	yes
Rated insulation voltage U <sub>i</sub>	75 V DC
Rated operating voltage U <sub>e</sub> DC	24 V

### Environmental conditions

Ambient temperature	-10...50 °C
Protection type IEC 60529	IP65

### Functional safety

Diagnostic coverage	0 %
Functional safety	no
Mission Time	10 a

### General data

Approval/Conformity	CE cULus
Basic standard	IEC 60947-5-2
Reference receiver	BLE 18MR-...-1LT-..
Series	18MR
Style	Cylinder Optics 90°

### Material

Housing material	Brass
Material sensing surface	Glass
Surface protection	nickel plates

## BLS 18MR-XX-1LT-S4-C BOS00AU

### Mechanical data

Dimension	20 x 85 x 33.7 mm
Fastening detail	Nut M18x1

### Optical data

Average power Po max.	1 mW
Beam characteristic	Focus adjustable $\geq 0.2$ m
Laser class per IEC 60825-1	2
Light type	Laser Red light
Principle of optical operation	Through-beam sensor (Emitter)
Wave length	660 nm

### Range/Distance

Measuring range	0...50 m
-----------------	----------

Range	0...50 m
Rated operating distance Sn	50 m, Adjustable
Ripple max. (% of Ue)	15 %

### Remarks

Focusing tool included, order other accessories separately.

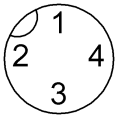
For additional information, refer to user's guide.

Only for applications per NFPA 79 (machines with a supply voltage of maximum 600 V). Use an R/C (CYJV2) cable with suitable properties for attaching the device.

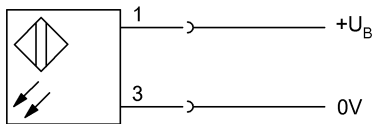
For further information on MTTf/B10d, please refer to the MTTf / B10d Certificate.

Specification of the MTTf value and the B10d value do not represent any binding quality and/or life expectancy guarantees.

### Connector view



### Wiring Diagram



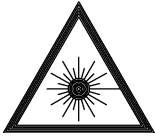
1) Emitter

### Symbols for Optoelectronic Sensors



BLS 18MR-XX-1LT-S4-C  
BOS00AU

## Warning Symbols



LASER BEAM - DO NOT STARE INTO THE LIGHT BEAM!

LASER CLASS 2 per IEC60825-1: 2003-10