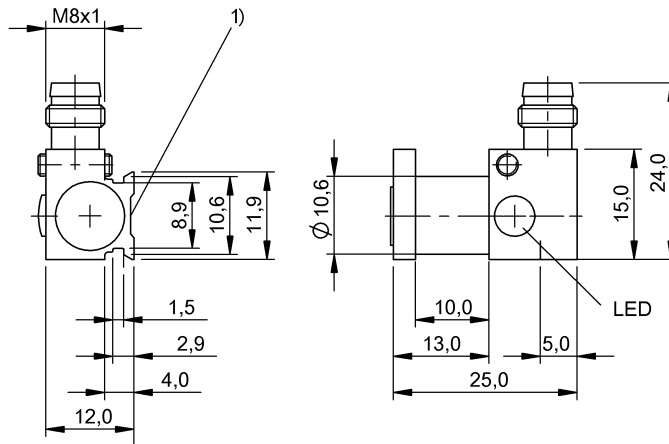


BMF 32M-PS-C-2-S49 BMF0088



1) Sensing surface



Display/Operation

Function indicator	yes
--------------------	-----

Electrical connection

Connection	M8x1-Connector, 3-pole
Polarity reversal protected	yes
Short-circuit protection	yes

Electrical data

Assured switching field strength H_a	2 kA/m
Hysteresis H max. (% of H_n)	45 %
Load capacitance max. at U_e	1 μ F
MTTF (40 °C)	330 a
No-load current I_o max., undamped	10 mA
Operating voltage U_b	10...30 VDC
Output resistance R_a	Open drain
Pollution degree	3
Protected against miswiring	yes
Rated insulation voltage U_i	75 V DC
Rated operating current I_e DC	200 mA
Rated operating voltage U_e DC	24 V
Rated short circuit current	100 A
Rated switch field strength H_n	1.2 kA/m
Residual current I_r max.	80 μ A
Switching frequency	10000 Hz
Turn-off delay t_{off} max.	0.05 ms
Turn-on delay t_{on} max.	0.05 ms
Utilization category	DC -13
Voltage drop static max.	3.1 V

Environmental conditions

Ambient temperature	-25...85 °C
Protection type IEC 60529	IP67

Functional safety

Diagnostic coverage	0 %
Functional safety	no
Mission Time	20 a

General data

Application	Object detection
Approval/Conformity	CE cULus
Basic standard	IEC 60947-5-2

Material

Housing material	Aluminum
Material sensing surface	Aluminum

Mechanical data

Dimension	25 x 11.9 x 26 mm
-----------	-------------------

Output/Interface

Switching output	PNP Normally open (NO)
------------------	------------------------

Range/Distance

Ripple max. (% of U_e)	15 %
---------------------------	------

BMF 32M-PS-C-2-S49 BMF0088

Temp. drift max. (% of Hn) 0.3 %

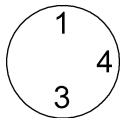
For further information on MTTF/B10d, please refer to the MTTF / B10d Certificate.

Remarks

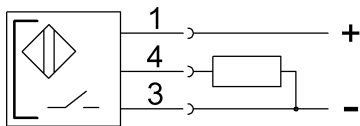
Specification of the MTTF value and the B10d value do not represent any binding quality and/or life expectancy guarantees.

The sensor is functional again after the overload has been eliminated.

Connector view



Wiring Diagram



Diagram

