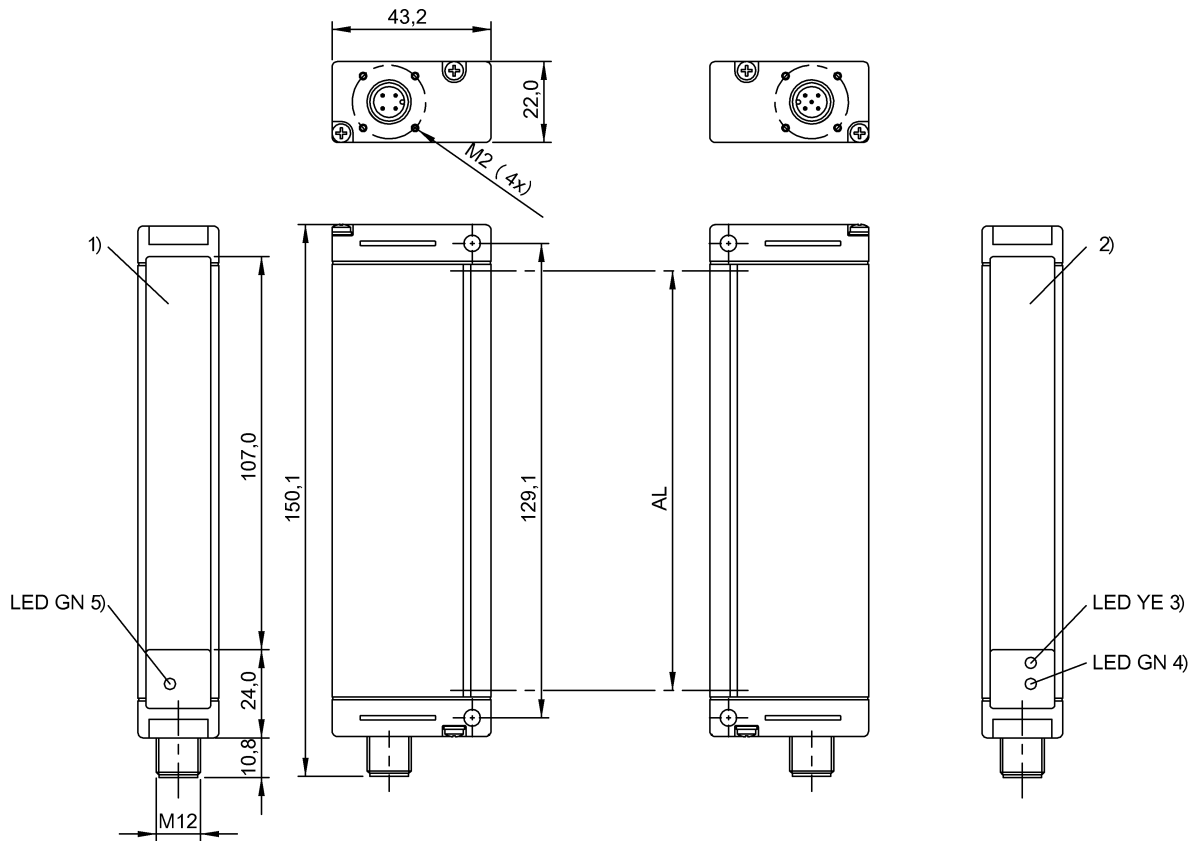


BLG 1-010-210-050-PV01-SX
BLG0001



1) Sensing surface 2) Sensing surface 3) Output function 4) stability/error 5) Operating voltage



Electrical connection

Connection 2	M12x1
Polarity reversal protected	yes
Short-circuit protection	yes

Electrical data

MTTF (40 °C)	44 a
Operating voltage U_b	20...28 VDC
Pollution degree	3
Protected against miswiring	yes
Rated operating current I_e DC	100 mA
Rated operating voltage U_e DC	24 V
Switching frequency	250 Hz
Turn-off delay t_{off} max.	2 ms
Turn-on delay t_{on} max.	2 ms
Utilization category	DC -13

Environmental conditions

Ambient temperature	0...55 °C
Protection type IEC 60529	IP65

Functional safety

Diagnostic coverage	0 %
Functional safety	no
Mission Time	10 a

General data

Approval/Conformity	CE
Basic standard	IEC 60947-5-2
Series	1-010
Style	Square Connection 90°

Material

Housing material	Aluminum
Material sensing surface	PMMA
Surface protection	anodized

Mechanical data

Blind zone	150 mm
Dimension	22 x 150.1 x 43.2 mm
Fastening detail	Screw M4

BLG 1-010-210-050-PV01-SX BLG0001

Smallest part typ. 5.0 at t 0.5 x Sn, R 0 = 2.1 m

Optical data

Beam characteristic	Divergent
Light beams, number	32
Light type	Infrared
Principle of optical operation	Through-beam sensor
Wave length	880 nm

Range/Distance

Active length AL 1	100 mm
Measuring range	0...2.1 m
Range	0...2.1 m
Rated operating distance Sn	2.1 m
Resolution	≤ 3.5 mm
Ripple max. (% of Ue)	15 %

Output/Interface

Analog output	Analog, voltage, 0...10 V
Input function	Synchronization (Emitter)
Supplementary output	Synchronization (Receiver)
Switching output	PNP Normally open (NO)

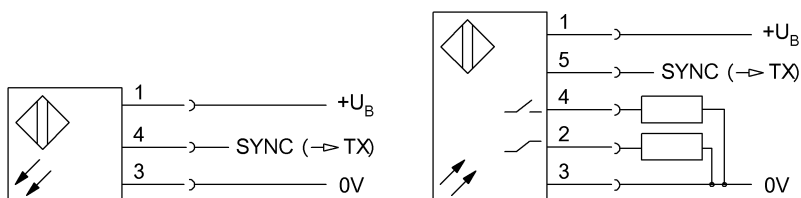
Remarks

Mounting bracket included, order other accessories separately.
For additional information, refer to user's guide.
Reference object (target): Steel plate, 50 x 50, thickness 0.5 mm, lateral approach.
The sensor is functional again after the overload has been eliminated.
For further information on MTTF/B10d, please refer to the MTTF / B10d Certificate.
Specification of the MTTF value and the B10d value do not represent any binding quality and/or life expectancy guarantees.

Connector view



Wiring Diagram



BLG 1-010-210-050-PV01-SX
BLG0001

Symbols for Optoelectronic Sensors

