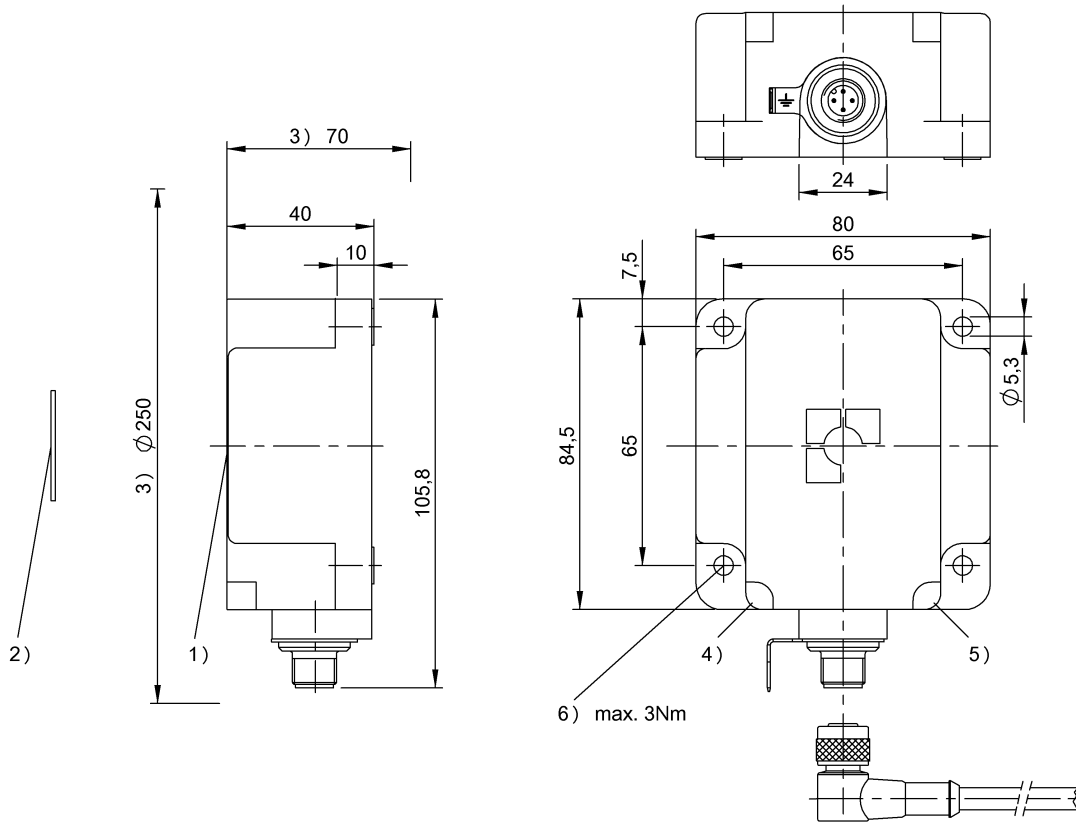


BIS M-401-045-001-07-S4
BIS00LK



1) Sensing surface 2) Data carrier 3) Clear zone 4) LED (Power) 5) LED (TP) 6) Tightening torque



Display/Operation

Function indicator	Power (ON) LED green TP (Tag Present) LED yellow
--------------------	---

Electrical connection

Connection	M12x1-Connector, 4-pole, A-coded
------------	----------------------------------

Electrical data

Current consumption max. at 24 V DC	150 mA
EN 300330-1	Power Class 5
Operating voltage U_b	18...30 VDC Supports only LPS/ Class 2

Environmental conditions

Ambient temperature	0...70 °C
EN 60068-2-27, Continuous shock load	yes
EN 60068-2-27, Shock	yes
EN 60068-2-6, Vibration	yes

Internet www.balluff.com
Balluff Germany +49 (0) 7158 173-0, 173-370
Balluff USA 1-800-543-8390
Balluff China +86 (0) 21-50 644131

Protection type IEC 60529	IP67
Storage temperature	-20...85 °C

Functional safety

EN 60068-2-32 Free fall	yes
-------------------------	-----

General data

Antenna type	round
Approval/Conformity	CE UL-FILE E227256, Vol.X1, BIS Size 1, Cl. A
EN 55022	

Material

Housing material	PBT
------------------	-----

Mechanical data

Application weight	380.00 g
Dimension	80 x 40 x 84.5 mm
Installation	with clear zone (in steel)

For definitions of terms, see main catalog
Subject to change without notice
eCl@ss 9.1: 27-28-04-01
ETIM 6.0: EC002996
BIS00LK_09-03-17_23:44 1(6)

BIS M-401-045-001-07-S4 BIS00LK

Output/Interface

Interface	IO-Link 1.1
IO-Link version	1.1

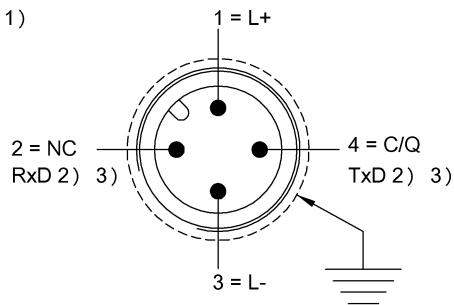
Range/Distance

Residual ripple max.	1.3 Vpp
----------------------	---------

Remarks

For basic equipment see IO-Link catalog.
 When installing, the technical standards and regulations of the corresponding countries must be observed.
 Values are under rated conditions unless otherwise specified.
 Order accessories separately.
 For installation in metal: Observe clear zone.

Connector view



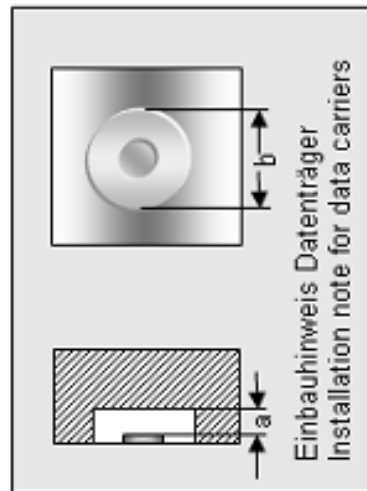
1) View towards connector 2) Service 3) (Only for Balluff Service)

BIS M-401-045-001-07-S4
BIS00LK

Additional View

BIS M-401-

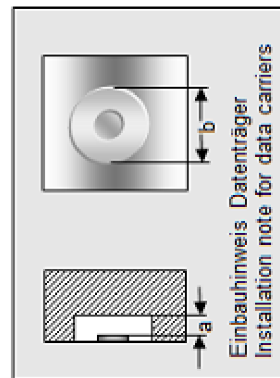
	BIS M-101-01/L	BIS M-102-01/L	BIS M-120-01/L	BIS M-108-02/L	BIS M-110-02/L
passende Datenträger Appropriate data carriers					
Abstand Datenträger zu Metall in mm (a) Data carrier distance to metal in mm	>50 >25 >10	>50 >25 >10	>80	>50 >20	>50 >30
Freizone Datenträger in mm (b) Data carrier clear zone in mm	>200 >150 >150	>200 >150 >150	>250	>200 >60	>200 >100
Schreibabstand in mm Write distance in mm	0-28 0-25 0-20	0-45 0-40 0-34	0-50	0-40 0-18	0-30 0-18
Leseabstand in mm Read distance in mm	0-28 0-25 0-20	0-45 0-40 0-34	0-50	0-40 0-18	0-30 0-18
Versatz in mm bei Abstand von	0 ±22 ±18 ±12	±30 ±24 ±16	±30	±30 ±16	±25 ±18
	5 ±22 ±18 ±12	±30 ±24 ±16	±30	±30 ±16	±25 ±18
	9 ±22 ±18 ±10	±30 ±24 ±16	±30	±30 ±16	±25 ±15
	12 ±22 ±16 ±8	±30 ±24 ±14	±30	±25 ±16	±20 ±15
	15 ±22 ±16 ±8	±30 ±24 ±14	±30	±25 ±16	±20 ±12
	16 ±20 ±15 ±6	±30 ±20 ±12	±30	±25 ±16	±20 ±12
	18 ±20 ±13 ±4	±30 ±20 ±10	±30	±25 ±14	±20 ±8
	20 ±20 ±12 ±2	±30 ±20 ±10	±30	±25	±20
	22 ±16 ±8	±24 ±18 ±8	±30	±20	±15
	25 ±12 ±4	±24 ±18 ±8	±30	±20	±15
		±24 ±15 ±6	±28	±20	±10
		±20 ±12 ±4	±24	±15	±10
		±20 ±10	±22	±15	
		±15 ±5	±18	±15	
		±8	±14		
		±5	±12		
			±4		



BIS M-401-045-001-07-S4
BIS00LK

BIS M-401-

	BIS M-111-02/L	BIS M112-02/L	BIS M-140-02/A	BIS M-143-02/A- xx
passende Datenträger Appropriate data carriers				
Abstand Datenträger zu Metall in mm (a) Data carrier distance to metal in mm	>50 >30	>50 >30	>0	>0
Freizone Datenträger in mm (b) Data carrier clear zone in mm	>200 >100	>200 >100	>100	>100
Schreibabstand in mm Write distance in mm	0-40 0-25	0-60 0-35	0-32	0-16
Leseabstand in mm Read distance in mm	0-40 0-25	0-60 0-35	0-32	0-16
Versatz in mm bei Abstand von	0 ±30 ±20	±35 ±25	±25	±24
	5 ±30 ±20	±35 ±25	±25	±24
	9 ±30 ±20	±35 ±25	±25	±20
	12 ±25 ±20	±35 ±25	±25	±14
	15 ±25 ±18	±35 ±25	±25	±4
	16 ±25 ±18	±35 ±25	±25	±4
	18 ±25 ±16	±35 ±25	±25	
	20 ±25 ±14	±35 ±25	±25	
	22 ±20 ±12	±35 ±22	±20	
	25 ±20 ±10	±35 ±22	±20	
	30 ±20	±35 ±22	±15	
	32 ±15	±35 ±22	±15	
	35 ±15	±35 ±20		
	40 ±15	±35		
	43	±25		
	45	±25		
	50	±25		
	52	±25		
	60	±25		
	65			
	70			



BIS M-401-045-001-07-S4
BIS00LK

BIS M-401-__

passende Datenträger Appropriate data carriers	BIS M-132-03/L- HT	BIS M135-03/L- HT			
Abstand Datenträger zu Metall (a) Data carrier distance to metal in mm	>50	>50			
Freizone Datenträger in mm (b) Data carrier clear zone in mm	>200	>200			
Schreibabstand in mm Write distance in mm	0-50	0-75			
Leseabstand in mm Read distance in mm	0-50	0-75			
Versatz in mm bei Abstand von	0 ±30	±50			
	5 ±30	±50			
	10 ±30	±50			
	15 ±30	±50			
	20 ±30	±50			
	25 ±28	±50			
	30 ±28	±50			
	35 ±28	±50			
	40 ±28	±50			
	45 ±10	±45			
	50 ±10	±45			
	55	±45			
	60	±45			
	65	±35			
	70	±35			
	75	±35			
	80				
	85				
	90				
	95				
	100				

