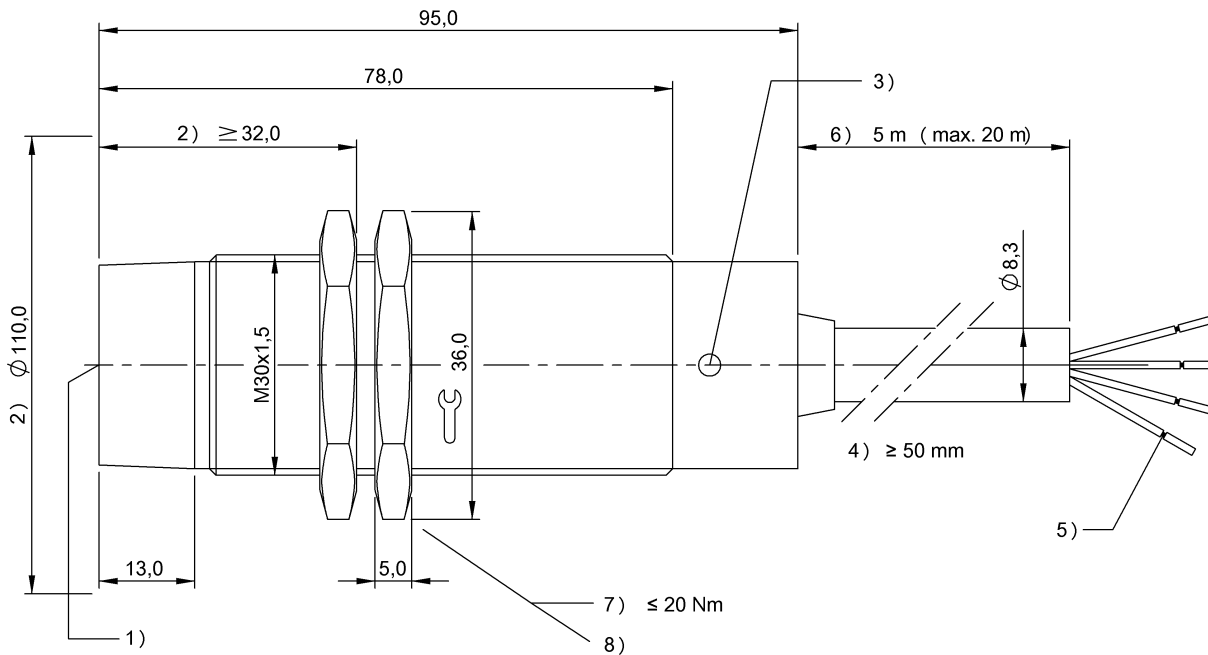


## BIS C-60R-001-08P-PU-10 BIS00H7



1) Sensing surface 2) Clear zone 3) data valid 4) Cable bending radius 5) strip 6) standard length 7) Tightening torque 8) see remarks



### Display/Operation

CT present/not present	LED on/off
Data check, error	LED flashes slowly
Short circuit on output	LED flashes rapidly

### Electrical connection

Cable length	10 m
Conductor cross-section	0.18 mm <sup>2</sup> (9x)
Connection	11-pole
Connection type	Cable (shielded), 10.00 m, PU
Input 0 V DC, wire color	Light BU
Input 0 V DC, wire cross-section	0.5 mm <sup>2</sup>
Input 24 V DC, wire color	WH
Input 24 V DC, wire cross-section	0.5 mm <sup>2</sup>

### Electrical data

Control output	PNP 9
Current consumption max. at 24 V DC	300 mA
MTTF (40 °C)	27 a
Operating voltage Ub	19.2...26.4 VDC

Output bit 0	BN
Output bit 1	RD
Output bit 2	OG
Output bit 3	YE
Output bit 4	GN
Output bit 5	BU
Output bit 6	VT
Output bit 7	GY
Output data valid	BK
Shield	colorless

### Environmental conditions

Ambient temperature	0...50 °C
EN 60068-2-27, Continuous shock load	yes
EN 60068-2-27, Shock	yes
EN 60068-2-6, Vibration	yes
Protection type IEC 60529	IP67

### Functional safety

Diagnostic coverage	0 %
EN 60068-2-32 Free fall	yes
Functional safety	no
Mission Time	0 a

## BIS C-60R-001-08P-PU-10 BIS00H7

### General data

---

Antenna type	round
Approval/Conformity	CE
EN 55011	Size 1, Cl. A

### Material

---

Housing material	Brass
Housing material, surface protection	nickel plates
Material jacket	PU

### Mechanical data

---

Application weight	330.00 g
Dimension	Ø 30 x 95 mm

Installation	with clear zone (in steel)
Size	M30x1.5

### Output/Interface

---

Interface	parallel
-----------	----------

### Remarks

---

Values are under rated conditions unless otherwise specified.  
When installing, the technical standards and regulations of the corresponding countries must be observed.  
Use included nuts for installation.

For further information on MTTF/B10d, please refer to the MTTF / B10d Certificate.

Specification of the MTTF value and the B10d value do not represent any binding quality and/or life expectancy guarantees.

## BIS C-60R-001-08P-PU-10 BIS00H7

### Additional View

Appropriate data carriers	BIS C-121-04 flush	BIS C-121-04 BIS C-122-04 non-flush	BIS C-103-05 flush	BIS C-103-05 non-flush	BIS C-130-05 flush	BIS C-130-05 non-flush	BIS C-100-05 flush
<b>Static mode</b>							
Read distance in mm	0-3	1-5	0-4	1-5	0-5	1-8	0-5
Offset in mm	±2	±3	±4	±2.5	±3	±4	±2.5
at distance							
1 mm	±2	±3	±2.5	±2.5	±3	±5	±3
3 mm							
5 mm		±3		±2.5	±3	±5	±3
7 mm						±5	
<b>Dynamic mode*</b>							
Read distance in mm						4-8	
V <sub>max</sub> to read 1 bytes in m/min						15	

Appropriate data carriers	BIS C-100-05 non-flush	BIS C-128-05 non-flush	BIS C-117/A flush	BIS C-117/L BIS C-108-05 non-flush	BIS C-104-11 flush non-flush	BIS C-108-05 flush
<b>Static mode</b>						
Read distance in mm	1-6	3-12	1-8	1-8	1-8	0-6
Offset in mm	±3		±5	±7	±4	±7
at distance						
1 mm	±3	±7	±5	±7	±4	±7
3 mm	±3	±6	±5	±7	±4	±6
5 mm		±5	±5	±6	±4	
7 mm						
<b>Dynamic mode*</b>						
Read distance in mm	4-6	4-8	6-8	3-8		
V <sub>max</sub> to read 1 bytes in m/min	9	20	12	20		