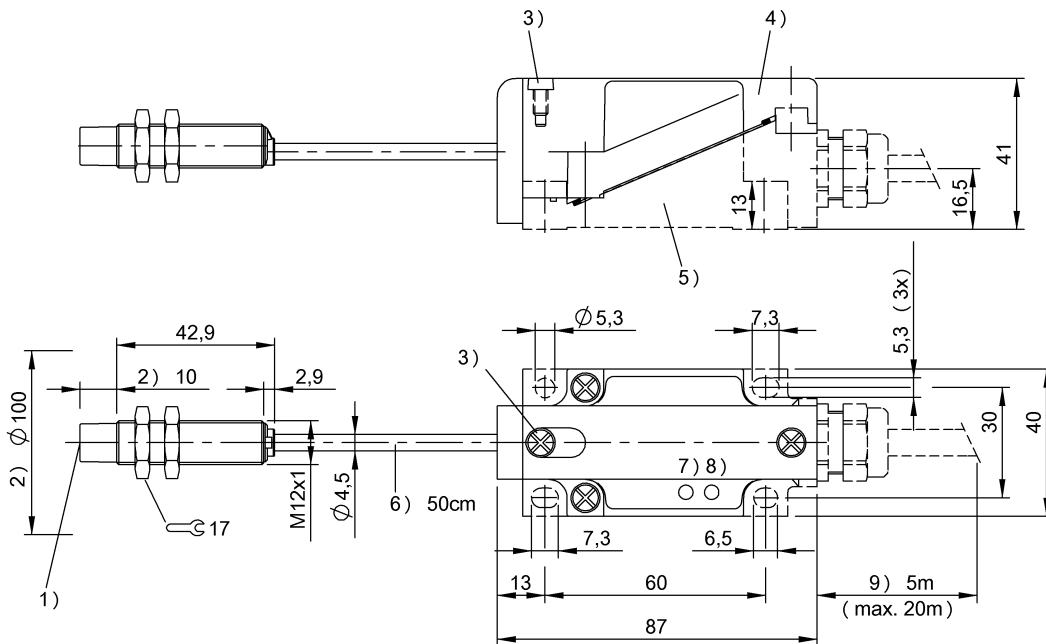


BIS L-405-033-003-05-MU
BIS00CP



1) Sensing surface 2) Clear zone 3) Locking screw 4) Module unit 5) Mounting base 6) Cable length 7) Power 8) Tag present 9) standard length



Display/Operation

Overflow	LED yellow, flashes
Power (ON)	LED green
Tag Present (TP)	LED yellow

Electrical connection

Cable length	0.5 m
Connection	(Supply voltage/10 outputs, 2 inputs: BIS L-503-xx)
Connection type	0.50 m, PU

Electrical data

Control input	2 (optocoupler isolated)
Control output	10 PNP
Control voltage active	17...27 V
Control voltage inactive	0...6 V
Current consumption max. at 24 V DC	50 mA
EN 300330-1	Power Class 3
Input current max. at 24 V	3 mA
Operating voltage U_b	19.2...26.4 VDC

Environmental conditions

Ambient temperature	0...70 °C
EN 60068-2-27, Continuous shock load	yes
EN 60068-2-27, Shock	yes
EN 60068-2-6, Vibration	yes
Protection type IEC 60529	IP67 installed
Storage temperature	-20...85 °C

Functional safety

Diagnostic coverage	0.0 %
EN 60068-2-32 Free fall	yes
Functional safety	no
Mission Time	20 a

General data

Antenna type	round
Approval/Conformity	CE UL-FILE E227256, Vol.X1, BIS

Material

Housing material	Brass, Interface PBT
------------------	----------------------

BIS L-405-033-003-05-MU BIS00CP

Housing material, surface protection nickel plates
Material jacket PU

Mechanical data

Application weight 170.00 g
Dimension Ø 12 x 53 mm
Installation with clear zone (in steel)
Size M12x1

Output/Interface

Interface parallel

Range/Distance

Residual ripple max. included

Remarks

Part number with 5m cable: BIS L-503-PU1-05
Order accessories separately.
Replacement of the MU (module unit) without disassembling the mounting base with cable
Values are under rated conditions unless otherwise specified.
For basic equipment order mounting base with cable also.
Only together with mounting base BIS L-503-PU1-xx
Use included nuts for installation.
For installation in metal: Observe clear zone.

BIS L-405-033-003-05-MU
BIS00CP

Additional View

BIS L-40X-XXX-003-__

BIS L-203-03/L
BIS L-103-05/L-RO

metallfrei
non metal

Read Only

passende Datenträger
Appropriate data carriers

Schreibabstand in mm
Write distance in mm

Leseabstand in mm
Read distance in mm

Versatz in mm
bei Abstand von

Offset in mm
at distance

0-11

±6

±6

±4

±4

±2

0

3

7

8

10

12

15

18

20

25

30

35

40

45

50

55

60

70

BIS L-405-033-003-05-MU
BIS00CP