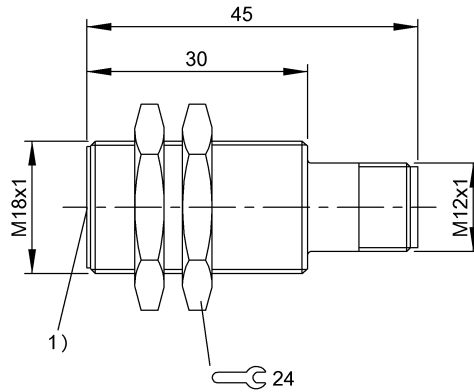


BIS C-325/05-S4  
BIS007R



1) Sensing surface



## Electrical data

MTTF (40 °C) 15080 a

## Environmental conditions

Ambient temperature 0...70 °C  
 EN 60068-2-27, Continuous shock load yes  
 EN 60068-2-27, Shock yes  
 EN 60068-2-6, Vibration yes  
 Protection type IEC 60529 IP67  
 Storage temperature -20...85 °C

## Functional safety

Diagnostic coverage 0 %  
 EN 60068-2-32 Free fall yes  
 Functional safety no  
 Mission Time 20 a

## General data

Antenna type round  
 Approval/Conformity CE  
 UL-FILE E227256, Vol.X1, BIS  
 EN 55011 Size 1, Cl. A

## Material

Housing material Stainless steel (1.4571),  
 Stainless steel (1.4571)

## Mechanical data

Application weight 25.00 g  
 Dimension Ø 18 x 45 mm  
 Installation for flush mounting (in steel)  
 Size M18x1

## Remarks

Time specification includes data check.  
 Specified relative speed refers to reading/writing the first 4 bytes from the first page.  
 Use included nuts for installation.  
 Values are under rated conditions unless otherwise specified.  
 Only together with converter BIS C-901 or BIS C-6xx  
 For basic equipment order cable also, e.g.: BIS C-505-PU1-05 BIS C-505-PU-05 BIS C-506-PU1-05 BIS C-506-PU-05 BIS C-517-PVC-05 BIS C-518-PVC-05

For further information on MTTF/B10d, please refer to the MTTF / B10d Certificate.

Specification of the MTTF value and the B10d value do not represent any binding quality and/or life expectancy guarantees.

