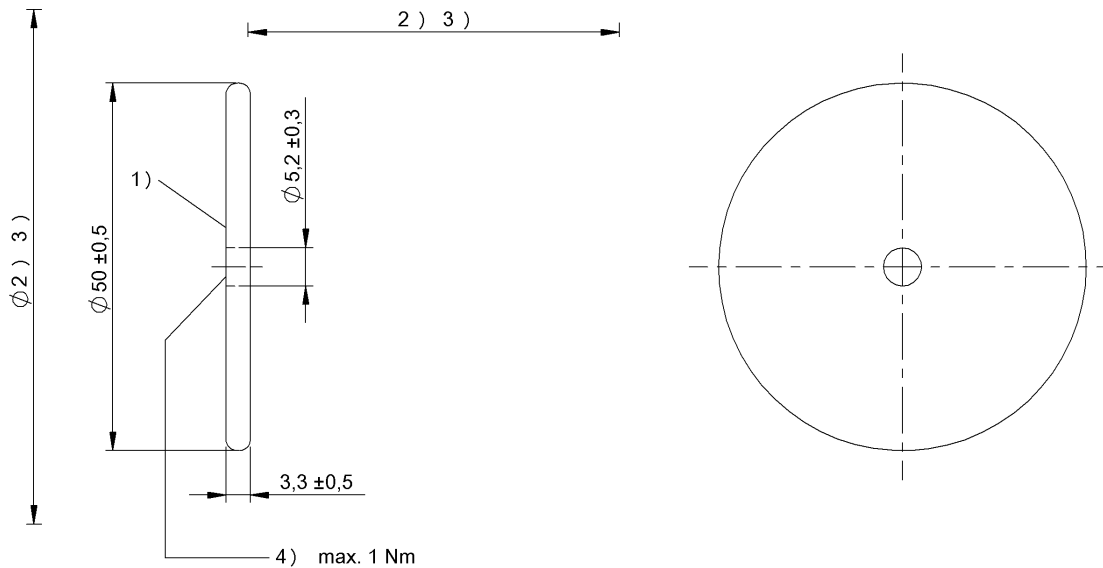


## BIS M-112-02/L BIS0046



1) Sensing surface 2) Clear zone 3) see corresponding R/W head 4) Tightening torque



### Electrical data

|                           |   |
|---------------------------|---|
| Data retention time/years | ≥ 10 at 55 °C                                       |
| Memory capacity           | 2000 Byte   |
| Memory organization       | 250 × 8 bytes                                       |
| Memory size, read         | 8 Byte  |
| Programming cycles        | 10 000 000 000                                      |
| Programming time          | for 16 bytes: 0.060s                                |
| Read cycles               | Unlimited   |
| Read time                 | User ID for 8 bytes: 0.02 s<br>for 16 bytes: 0.03 s |

### Environmental conditions

|                                      |   |
|--------------------------------------|---|
| Ambient temperature                  | -25...85 °C   |
| EN 60068-2-27, Continuous shock load | yes   |
| EN 60068-2-27, Shock                 | yes   |
| EN 60068-2-6, Vibration              | yes   |
| Protection type IEC 60529            | IP68  |
| Storage temperature                  | -25...85 °C   |
| Storage temperature temporary        | 140 °C 1x100 h<br>-40 °C...+90 °C 1x1000 h            |
| Temperature shock                    | -20 °C...+85 °C 50x10 min. with transposition in 30 s |

### Functional safety

|                         |     |
|-------------------------|-----|
| EN 60068-2-32 Free fall | yes |
|-------------------------|-----|

### General data

|                     |                    |
|---------------------|--------------------|
| Antenna type        | round              |
| Approval/Conformity | CE                 |
| EN 55011            | Size 1, Cl. A      |
| EN 55022            | Size 1, Cl. B      |
| Food compatibility  | Directive 02/72/EC |

### Material

|                  |          |
|------------------|----------|
| Housing material | PA, PA 6 |
|------------------|----------|

### Mechanical data

|                    |                            |
|--------------------|----------------------------|
| Application weight | 9.50 g                     |
| Dimension          | Ø 50 x 3.3 mm              |
| Installation       | with clear zone (in steel) |

### Remarks

Values are under rated conditions unless otherwise specified.  
Only when used together with the appropriate read/write head.  
For installation requirements see corresponding read/write head.  
Time specification includes data check.  
Torsional, bending and impact loading is not permitted.  
Recommended screw: M5, 8.8  
For installation in metal: Observe clear zone.  
IP68 tested according to BWN Pr 36