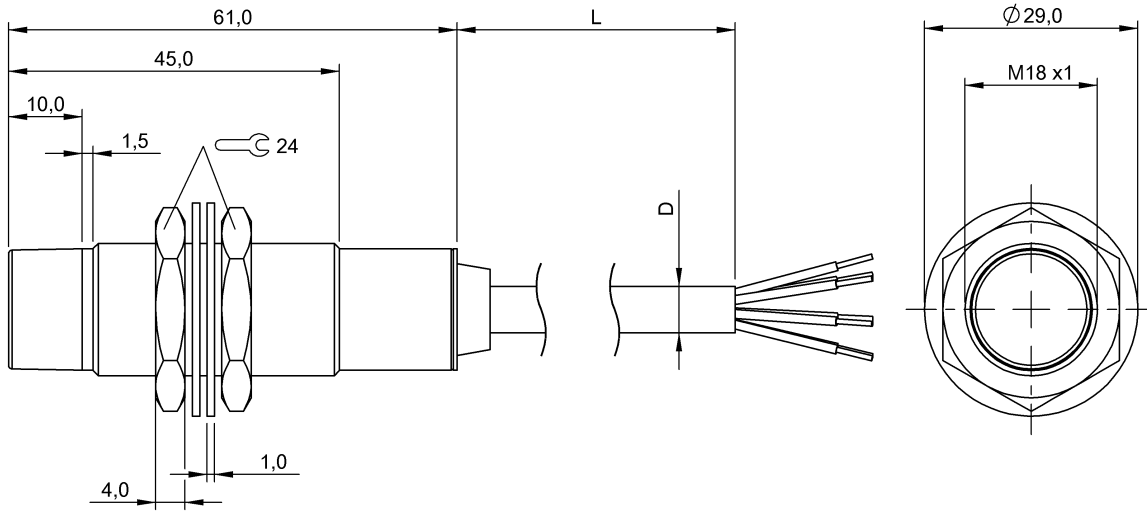


BIC 2I2-P2A02-M18MF2-EPX07-050 BIC001N



Display/Operation

Function indicator no

Electrical connection

Cable diameter D 6.30 mm
Cable length 5 m
Conductor cross-section 0.30 mm²
Connection type Cable, 5.00 m, PUR
Number of conductors 7

Electrical data

Output voltage 12 VDC
Rated output current 30 mA

Environmental conditions

Ambient temperature 0...50 °C
Interference immunity EN 61000-4-2/3/4/5/6
Protection type IEC 60529 IP67
Storage temperature -25...75 °C

General data

Approval/Conformity CE
Component Remote

Material

Housing material Brass
Housing material, surface protection nickel plates
Material jacket PUR
Material sensing surface ABSPBT

Mechanical data

Installation non-flush
Size M18x1
Tightening torque max. 40 Nm

Output/Interface

Switching output PNP

Range/Distance

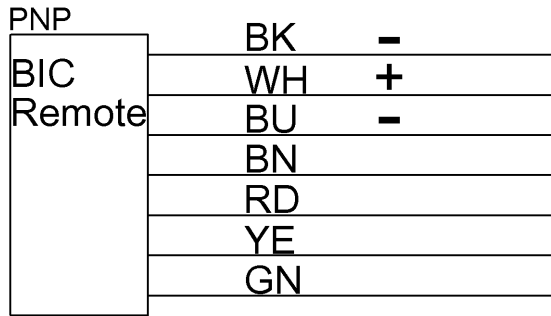
Range 0.5...2.5 mm
Ripple U_a max. 1.5 V
Transmission distance 0.5...2.5 mm

Remarks

Use the Remote only with the BIC 1I2-P2A02-M18MN2-EPX07-... base units!

BIC 2I2-P2A02-M18MF2-EPX07-050
BIC001N

Wiring Diagram



Diagram

