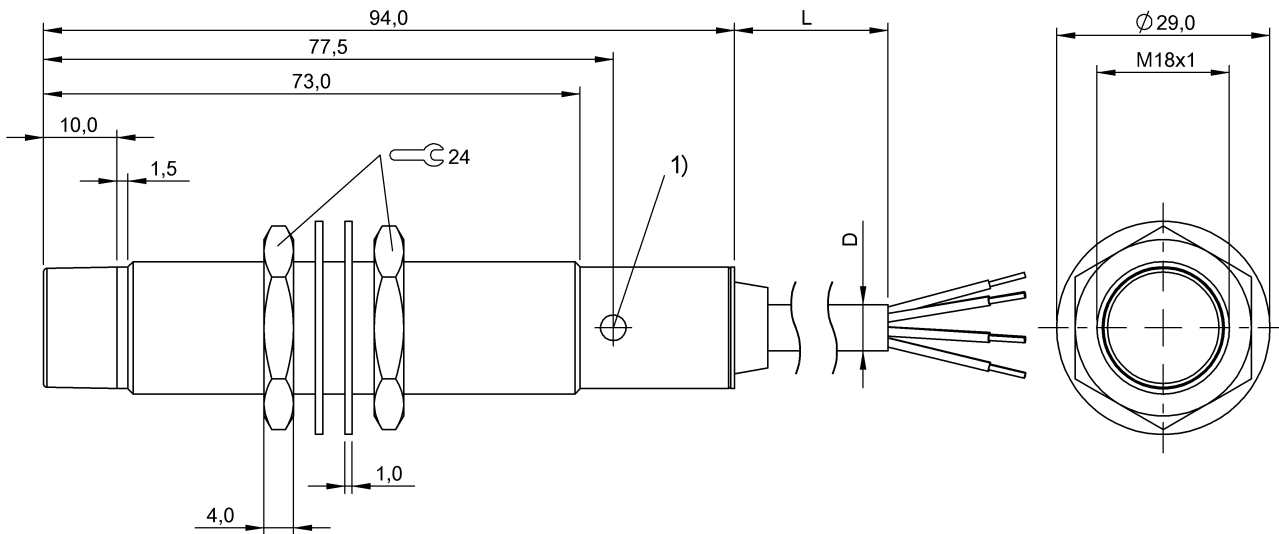


BIC 112-P2A02-M18MN2-EPX07-050 BIC0015



1) LED function indicator



Display/Operation

Function indicator yes

Electrical connection

Cable diameter D 6.30 mm
Cable length 5 m
Conductor cross-section 0.30 mm²
Connection type Cable, 5.00 m, PUR
Number of conductors 7
Short-circuit protection yes

Electrical data

Current load per output max. 30 mA
Rated operating current I_e DC 170 mA
Rated operating voltage U_e DC 24 V
Ready delay t_v max. 40 ms
Switching frequency 30 Hz

Environmental conditions

Ambient temperature 0...50 °C
Interference immunity EN 61000-4-2/3/4/5/6
Protection type IEC 60529 IP67
Storage temperature -25...75 °C

General data

Approval/Conformity CE

Component

Base

Material

Housing material Brass
Housing material, surface protection nickel plates
Material jacket PUR
Material sensing surface ABSPBT

Mechanical data

Installation non-flush
Size M18x1
Tightening torque max. 40 Nm

Output/Interface

Switching output PNP

Range/Distance

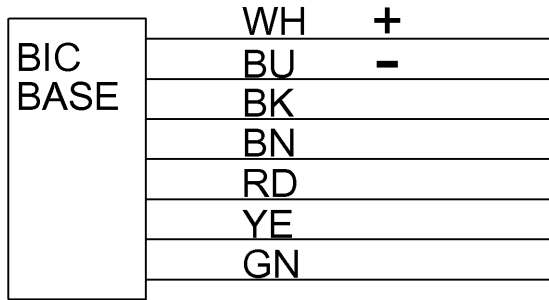
Range 0.5...3 mm
Ripple max. (% of U_e) 5 %
Transmission distance 0.5...3 mm

Remarks

Use the base unit only with the BIC 212-P2A02-M18MF2-EPX07-... Remotes!

BIC 112-P2A02-M18MN2-EPX07-050
BIC0015

Wiring Diagram



Diagram

