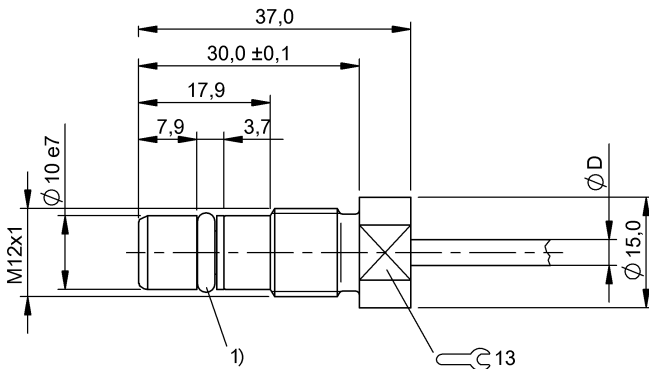


BES 516-300-S205-D-PU-05
BHS0029



1) O-ring with thrust ring



Display/Operation

Function indicator	no
Power indicator	no

Electrical connection

Cable diameter D	3.50 mm
Cable length	5 m
Conductor cross-section	0.14 mm ²
Connection type	Cable, 5.00 m, PUR
Number of conductors	3
Polarity reversal protected	yes
Short-circuit protection	yes

Electrical data

Hysteresis H max. (% of Sr)	15.0 %
Load capacitance max. at Ue	1 µF
MTTF (40 °C)	855 a
No-load current I _o max., undamped	3 mA
Operating voltage U _b	10...30 VDC
Output resistance R _a	150.0 kOhm
Pollution degree	3
Protected against miswiring	yes
Rated insulation voltage U _i	75 V DC
Rated operating current I _e DC	200 mA
Rated operating voltage U _e DC	24 V
Rated short circuit current	100 A
Ready delay t _v max.	50 ms
Repeat accuracy max. (% of Sr)	5.0 %
Residual current I _r max.	10 µA
Switching frequency	2000 Hz
Utilization category	DC -13

Voltage drop static max. 2 V

Environmental conditions

Ambient temperature	-25...80 °C
Protection type IEC 60529	IP68

Functional safety

Diagnostic coverage	0.0 %
Functional safety	no
Mission Time	20 a

General data

Approval/Conformity	CE EAC
Basic standard	IEC 60947-5-2
Thrust ring, part number	705918

Material

Gasket, material	NBR 70
Housing material	Stainless steel (1.4104)
Material jacket	PUR
Material sensing surface	EP
Support ring material	PTFE

Mechanical data

Dimension	Ø 12 x 37 mm
Fastening detail	M12x1
Installation	for flush mounting
Pressure rating max.	350 bar
Pressure rating, note	oil pressure rated

BES 516-300-S205-D-PU-05 BHS0029

Sealing ring, part number	631753
Sealing ring, size	5.3 × 2.4 mm
Size	M12x1
Tightening torque	20 Nm ±10 %

Range	1.5 mm
Rated operating distance S_n	1.5 mm
Ripple max. (% of U_e)	15 %
Temperature drift max. (% of S_r)	10 %

Output/Interface

Switching output	PNP Normally open (NO)
------------------	------------------------

Range/Distance

Assured operating distance S_a	1.2 mm
----------------------------------	--------

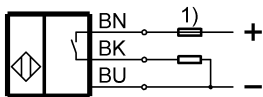
Remarks

The sensor is functional again after the overload has been eliminated.
Installation Instructions 614804

For further information on MTTF/B10d, please refer to the MTTF / B10d Certificate.

Specification of the MTTF value and the B10d value do not represent any binding quality and/or life expectancy guarantees.

Wiring Diagram



1) For SCP see electrical data