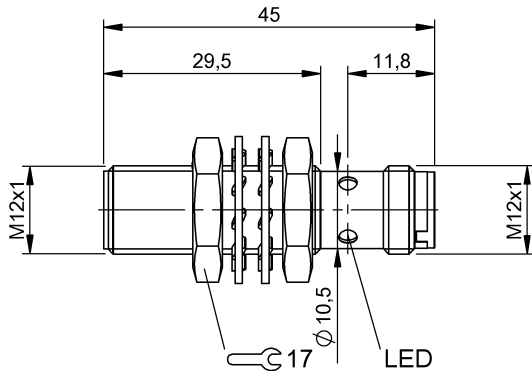


## BES 516-370-E5-C-S4 BES00YT



IND. CONT. EQ  
8TU2  
for use in the secondary of  
a class 2 source of supply  
Environmental - Type 1 Enclosure



### Display/Operation

Function indicator	yes
Power indicator	no

### Electrical connection

Connection	M12x1-Connector, 4-pole, A-coded
Polarity reversal protected	yes
Short-circuit protection	yes

### Electrical data

Hysteresis H max. (% of Sr)	15.0 %
Load capacitance max. at Ue	0.5 µF
MTTF (40 °C)	640 a
No-load current to max., undamped	6 mA
Operating voltage U <sub>b</sub>	10...30 VDC
Output resistance R <sub>a</sub>	33.0 kOhm + D
Pollution degree	3
Protected against miswiring	yes
Rated insulation voltage U <sub>i</sub>	250 V AC
Rated operating current I <sub>e</sub> DC	200 mA
Rated operating voltage U <sub>e</sub> DC	24 V
Rated short circuit current	100 A
Ready delay t <sub>v</sub> max.	21 ms
Repeat accuracy max. (% of Sr)	5.0 %
Residual current I <sub>r</sub> max.	10 µA
Switching frequency	5000 Hz
Utilization category	DC -13
Voltage drop static max.	2.5 V

### Environmental conditions

Ambient temperature	-25...70 °C
---------------------	-------------

Internet [www.balluff.com](http://www.balluff.com)  
 Balluff Germany +49 (0) 7158 173-0, 173-370  
 Balluff USA 1-800-543-8390  
 Balluff China +86 (0) 21-50 644131

Protection class	II
Protection type IEC 60529	IP68

### Functional safety

Diagnostic coverage	0 %
Functional safety	no
Mission Time	20 a

### General data

Approval/Conformity	CE cULus EAC
Basic standard	IEC 60947-5-2

### Material

Housing material	Brass
Material sensing surface	LCP
Surface protection	nickel-free coated

### Mechanical data

Dimension	Ø 12 x 45 mm
Installation	for flush mounting
Size	M12x1
Tightening torque	10 Nm

### Output/Interface

Switching output	PNP Normally closed (NC)
------------------	--------------------------

### Range/Distance

Assured operating distance S <sub>a</sub>	1.6 mm
---	--------

For definitions of terms, see main catalog  
 Subject to change without notice

eCl@ss 9.1: 27-27-01-01  
 ETIM 6.0: EC002714  
 BES00YT\_09-03-17\_17:03

## BES 516-370-E5-C-S4 BES00YT

Range	2 mm
Rated operating distance $S_n$	2 mm
Ripple max. (% of $U_e$ )	15 %
Temperature drift max. (% of $S_r$ )	10 %

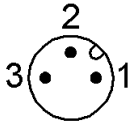
### Remarks

The sensor is functional again after the overload has been eliminated.

For further information on MTTF/B10d, please refer to the MTTF / B10d Certificate.

Specification of the MTTF value and the B10d value do not represent any binding quality and/or life expectancy guarantees.

### Connector view



### Wiring Diagram

