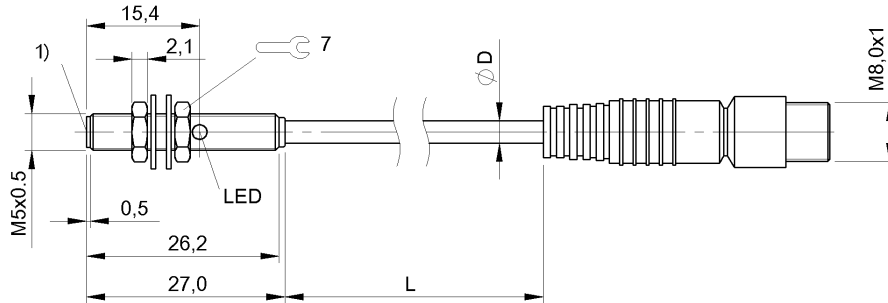


BES 516-3005-G-E4-C-S49-00,2
BES00HA



1) Sensing surface



IND. CONT. EQ
81U2
for use in the secondary of
a class 2 source of supply
Environmental - Type 1 Enclosure



Display/Operation

Function indicator	yes
Power indicator	no

Electrical connection

Cable diameter D	3.00 mm
Cable length	0.2 m
Connection	M8x1-Connector, 3-pole
Connection type	Cable with connector, 0.20 m, PUR
Polarity reversal protected	yes
Short-circuit protection	yes

Electrical data

Hysteresis H max. (% of Sr)	15.0 %
Load capacitance max. at Ue	1 µF
MTTF (40 °C)	305 a
No-load current I ₀ max., undamped	2 mA
Operating voltage U _B	10...30 VDC
Output resistance R _a	Open drain
Pollution degree	3
Protected against miswiring	yes
Rated insulation voltage U _i	75 V DC
Rated operating current I _e DC	100 mA
Rated operating voltage U _e DC	24 V
Rated short circuit current	100 A
Ready delay t _v max.	21 ms
Repeat accuracy max. (% of Sr)	5.0 %
Residual current I _r max.	10 µA
Switching frequency	5000 Hz
Utilization category	DC -13

Voltage drop static max. 2 V

Environmental conditions

Ambient temperature	-25...70 °C
Protection type IEC 60529	IP67

Functional safety

Diagnostic coverage	0 %
Functional safety	no
Mission Time	20 a

General data

Approval/Conformity	CE cULus EAC
Basic standard	IEC 60947-5-2

Material

Housing material	Stainless steel
Material jacket	PUR
Material sensing surface	PBT

Mechanical data

Dimension	Ø 5 x 27 mm
Installation	for flush mounting
Size	M5x0.5
Tightening torque	1 Nm

BES 516-3005-G-E4-C-S49-00,2 BES00HA

Temperature drift max. (% of Sr) 10 %

Output/Interface

Switching output PNP Normally open (NO)

Remarks

The sensor is functional again after the overload has been eliminated.
EMC: Surge resistance
External protection circuit is required. Document 825345, Section 2.
For further information on MTTF/B10d, please refer to the MTTF / B10d Certificate.
Specification of the MTTF value and the B10d value do not represent any binding quality and/or life expectancy guarantees.

Range/Distance

Assured operating distance Sa 1.21 mm
Range 1.5 mm
Rated operating distance Sn 1.5 mm
Ripple max. (% of Ue) 10 %
Switching distance marking ■■

Connector view



Wiring Diagram

