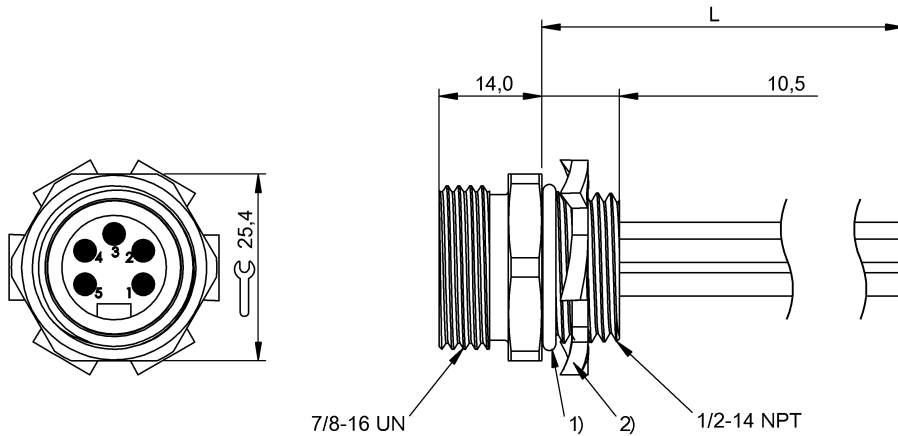


BCC A355-0000-20-RN022-020  
BCC098R



1) O-ring 2) Locknut



Protection type IEC 60529

IP67

## Display/Operation

Power indicator no

## General data

Application Panel connector  
Approval/Conformity cULus LISTED

## Electrical connection

Cable PVC, 2.00 m  
Conductor cross-section AWG 16  
Number of conductors 5  
Number of pins 5

## Material

Material contact carrier PVC  
Material contacts Copper alloy  
Material cover nut Aluminumanodized

## Electrical data

Rated current (40 °C) 8.0 A

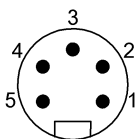
## Mechanical data

Fastening detail 1/2" NPT  
Tightening torque pigtail 1.5 Nm

## Environmental conditions

Cable temperature, fixed routing -40...105 °C

## Connector view



PIN 1: black PIN 2: blue PIN 3: green/yellow PIN 4: brown PIN 5: white

BCC A355-0000-20-RN022-020  
BCC098R

## Wiring Diagram

