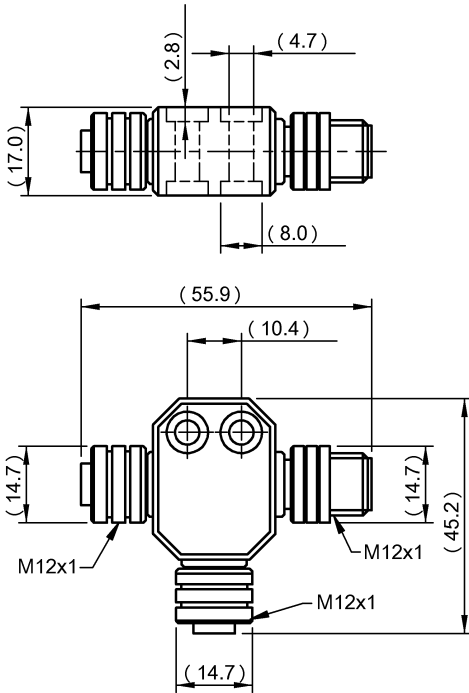


BDN T-DTN-DD-01  
BCC07WR



## Display/Operation

Power indicator no

## Electrical connection

Number of pins 5

## Electrical data

Operating voltage  $U_b$  30 VDC

## Environmental conditions

Ambient temperature -36...60 °C

Protection type IEC 60529 IP68

## General data

Application DeviceNet  
Approval/Conformity cCSAus

## Material

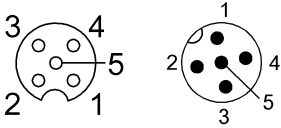
Material contacts Bronze, gold plated  
Material cover nut Zincepoxy coated  
Material grip PVC

## Remarks

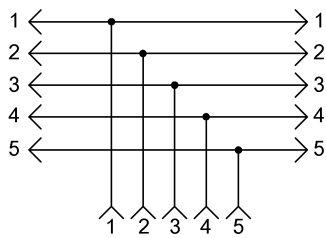
Enclosure rating per IEC 60529, only in screwed state with the associated mating piece.

BDN T-DTN-DD-01  
BCC07WR

## Connector view



## Wiring Diagram



L