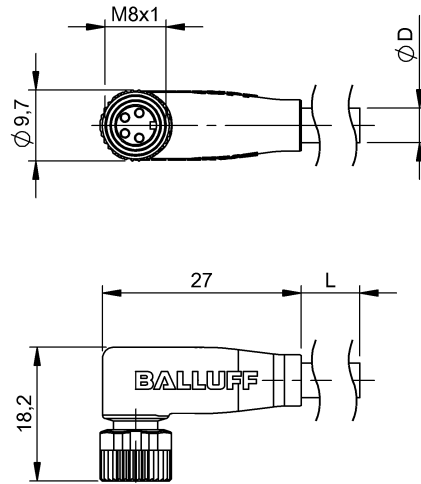


BCC M324-0000-10-003-EX44T2-050
BCC059P



4MT5
(CJ/V CABLE ASSEMBLY)

Electrical connection

Bending radius min., fixed cable	5 x D
Bending radius min., flexible cable	10 x D
Cable	TPE yellow, 5.00 m, Drag chain compatible
Cable diameter D	5.30 mm ±0.13 mm
Cable, bending cycles min.	10 million
Conductor cross-section	AWG 22
Number of conductors	4
Number of pins	4
System	Molded

Electrical data

Cable rated voltage AC max.	300.0 V
Cable rated voltage DC max.	300.0 V
Rated current (40 °C)	4.0 A

Environmental conditions

Cable temperature, fixed routing	-50...105 °C
Cable temperature, flexible routing	-25...105 °C

Protection type IEC 60529

IP67

General data

Approval/Conformity cULus LISTED

Material

Material contact carrier	PUR
Material contacts	Bronze
Material cover nut	Die-cast zinc
Material grip	TPE

Mechanical data

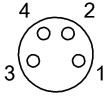
Tightening torque pigtail 0.4 Nm

Remarks

Enclosure rating per IEC 60529, only in screwed state with the associated mating piece.
Cable construction acc. to UL-AWM Style 20327
Flame resistance acc. to IEC 332-2

BCC M324-0000-10-003-EX44T2-050
BCC059P

Connector view



PIN 1: brown PIN 2: white PIN 3: blue PIN 4: black

Wiring Diagram

