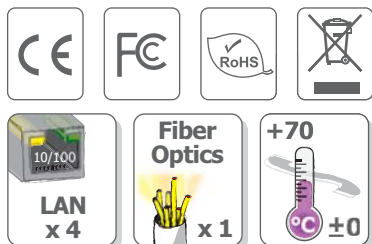


NS-205F/NSM-205F Series

Unmanaged 4-Port Industrial 10/100 Base-T(X) with 100 Base-FX Fiber Switch

Highlight Information ▶▶▶▶

NS-205F/NSM-205F Series



Only for NSM-205F Series



Only for NS-205F Series



NSM-205F Series



NS-205F Series



● Introduction

The NS-205F/NSM-205F series is a Unmanaged 4-Port Industrial Ethernet(10/100Base-TX) to Fiber Optics(100Base-FX) switch that secures data transmission by using fiber optic transmission to provide immunity from EMI/RFI interference. It is used Ethernet for transmitting a signal up to 40 Km, and is the perfect solution for applications where transmission must be protected from electrical exposure, surges, lightning or chemical corrosion.

The Ethernet supports 10/ 100M auto-negotiation feature and auto MDI /MDIX function.

● Features

- Automatic MDI / MDI-X crossover for plug-and-play
- Each port supports both 10/100 Mbps speed auto negotiation
- Store-and-forward architecture
- Full duplex IEEE 802.3x and half duplex backpressure flow control
- 3.2Gbps high performance memory bandwidth
- Frame buffer memory : 512 Kbit
- Integrated look-up engine with dedicated 1 K unicast MAC addresses
- Supports +10~+30Vdc voltage
- Supports operating temperatures from 0 ~ +70°C
- DIN rail mount for industrial usage

● Specifications

Technology		
Standards	IEEE802.3, 802.3u, 802.3x	
Processing Type	Store & forward wire speed switching - no delays	
MAC Addresses	1024	
Memory Bandwidth	3.2 Gbps	
Flow Control	IEEE802.3x flow control, back pressure flow control	
Interface		
RJ45 Ports	10/100BaseT(X) auto negotiation speed, F/H duplex mode, and auto MDI/MDIX connection	
Fiber Optic Port	100 Base-FX(Multi-mode; SC connector)	
LED Indicators	10/100M, Link/Act, Full duplex/Half duplex(Fiber Port)	
Ethernet Isolation	1500 Vrms 1 minute	
Frame Ground for EMS Protection	Yes	
Multi Mode Fiber Optic	Multi mode fiber cables: 50/125, 62.5/125 or 100/140 μ m	
	Distance: 2 km, (62.5/125 μ m recommended) for full duplex	
	Wavelength: 1300 or 1310nm	
	Min. TX Output: -20 dBm	
	Max. TX Output: -14 dBm	
Single Mode Fiber Optic	Single-mode fiber cables: 8.3/125, 8.7/125, 9/125 or 10/125 μ m	
	Distance: 15 km, (9/125 μ m recommended) for full duplex	
	Wavelength: 1300 or 1310nm	
	Min. TX Output: -15 dBm	
	Max. TX Output: -8 dBm	
Ethernet Transmission distance	Ethernet: 2-pair UTP/STP Cat.3,4,5, EIA/TIA-568 100-ohm	
	Fast Ethernet: 2-pair UTP/STP Cat. 5, EIA/TIA-568 100-ohm	
Power		
Input Voltage Range	+10 ~ +30VDC (Non-isolation)	
Power Consumption	0.14A@24VDC, +/- 5% allowed with 100M Full duplex	
LED Indicator	Yes	
Protection	Power reverse polarity protection	
Frame Ground for EMS Protection	Yes	
Mechanical		
Models	NS-205F Series	NSM-205F Series
Case	Plastic	Metal
Flammability	UL 94V-0	IP20
Dimensions (W x H x D)	64mm x 110mm x 98mm	72.5mm x 110mm x 102mm
Installation	DIN-Rail mount	DIN-Rail mount; Wall mounting
Environmental		
Operating Temperature	0°C ~ +70°C	
Storage Temperature	-20°C ~ +85°C	
Ambient Relative Humidity	10% to 90% non-condensing	



3

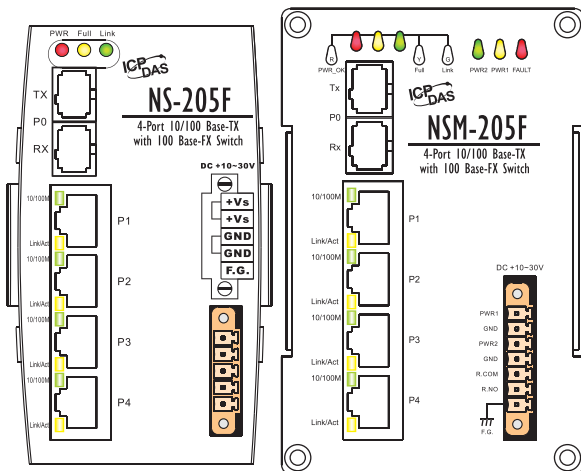
Unmanaged Ethernet Switches

NS-205F/NSM-205F Series

LED Functions

NSM-205F Series LED Indicator Functions

LED	Color	Description
PWR_OK	Red On	Core Power is OK
	Red Off	Core Power is Off
Full for P0	Yellow On	Full Duplex
	Yellow Off	Half Duplex
Link for P0	Green On	Link/Act
	Green Off	Not Networking
Ethernet Port (P1 ~ P4)	Yellow On	Link/Act
	Yellow Off	Not Networking
	Green On	Link to 100 Mbps
	Green Off	Link to 10 Mbps
PWR2	Green On	Power is being supplied to power input PWR2
	Green Off	Power is not being supplied to power input PWR2
PWR1	Yellow On	Power is being supplied to power input PWR1
	Yellow Off	Power is not being supplied to power input PWR1
FAULT	Red On	Power is not being supplied to power input PWR1 and PWR2
	Red Off	Power is being supplied to power input PWR1 and PWR2



NS-205F Series LED Indicator Functions

LED	Color	Description
Power	Red On	Power is On
	Red Off	Power is Off
Fiber Port (P0)	Yellow On	Full Duplex Mode
	Yellow Off	Half Duplex Mode
Ethernet Port (P1 ~ P4)	Green On	Link/Act
	Green Off	Not Networking
	Yellow On	Link/Act
	Yellow Off	Not Networking
Ethernet Port (P1 ~ P4)	Green On	Link to 100 Mbps
	Green Off	Link to 10 Mbps

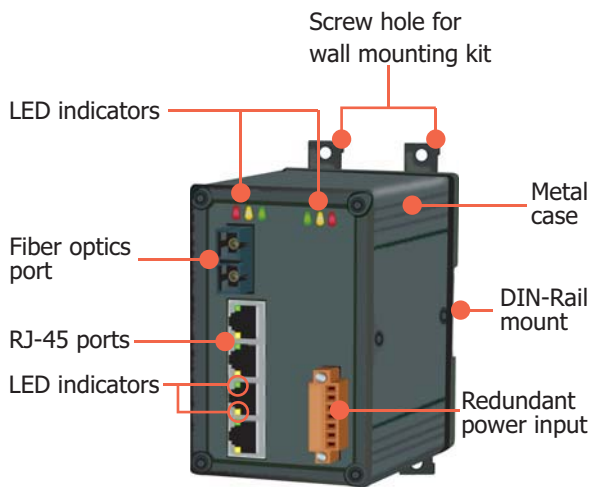
Redundant Power Inputs

Both power inputs can be connected simultaneously to live DC power sources. If one power source fails, the other live source acts as a backup, and automatically supplies all of NSM-205F Series power needs.



Appearance

NSM-205F Series



NS-205F Series

