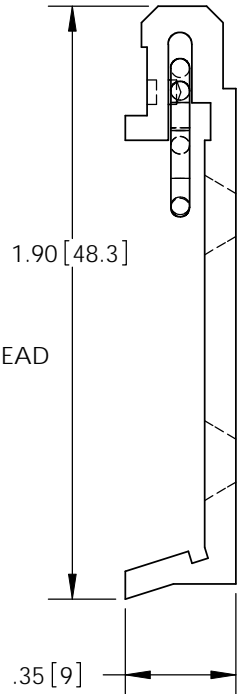
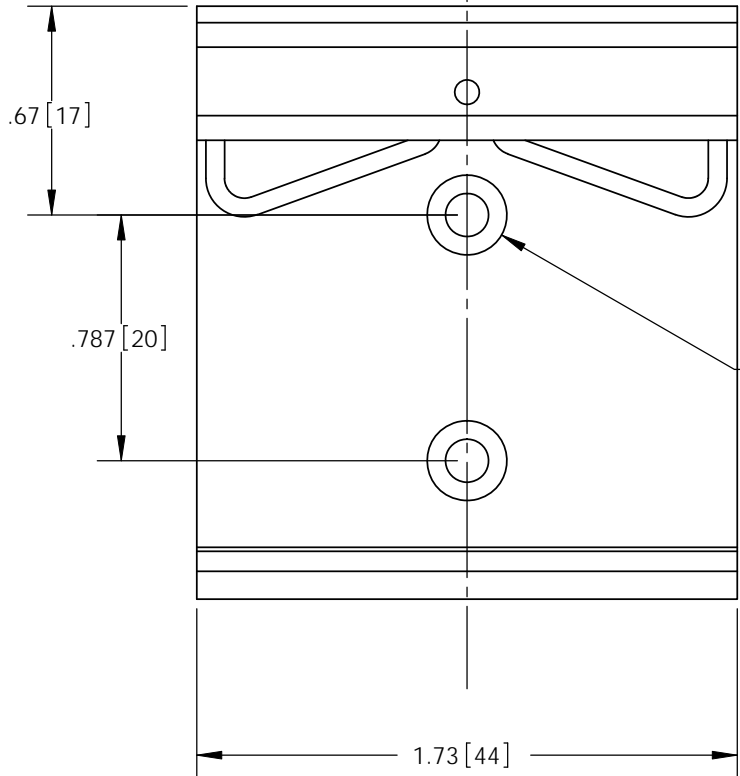
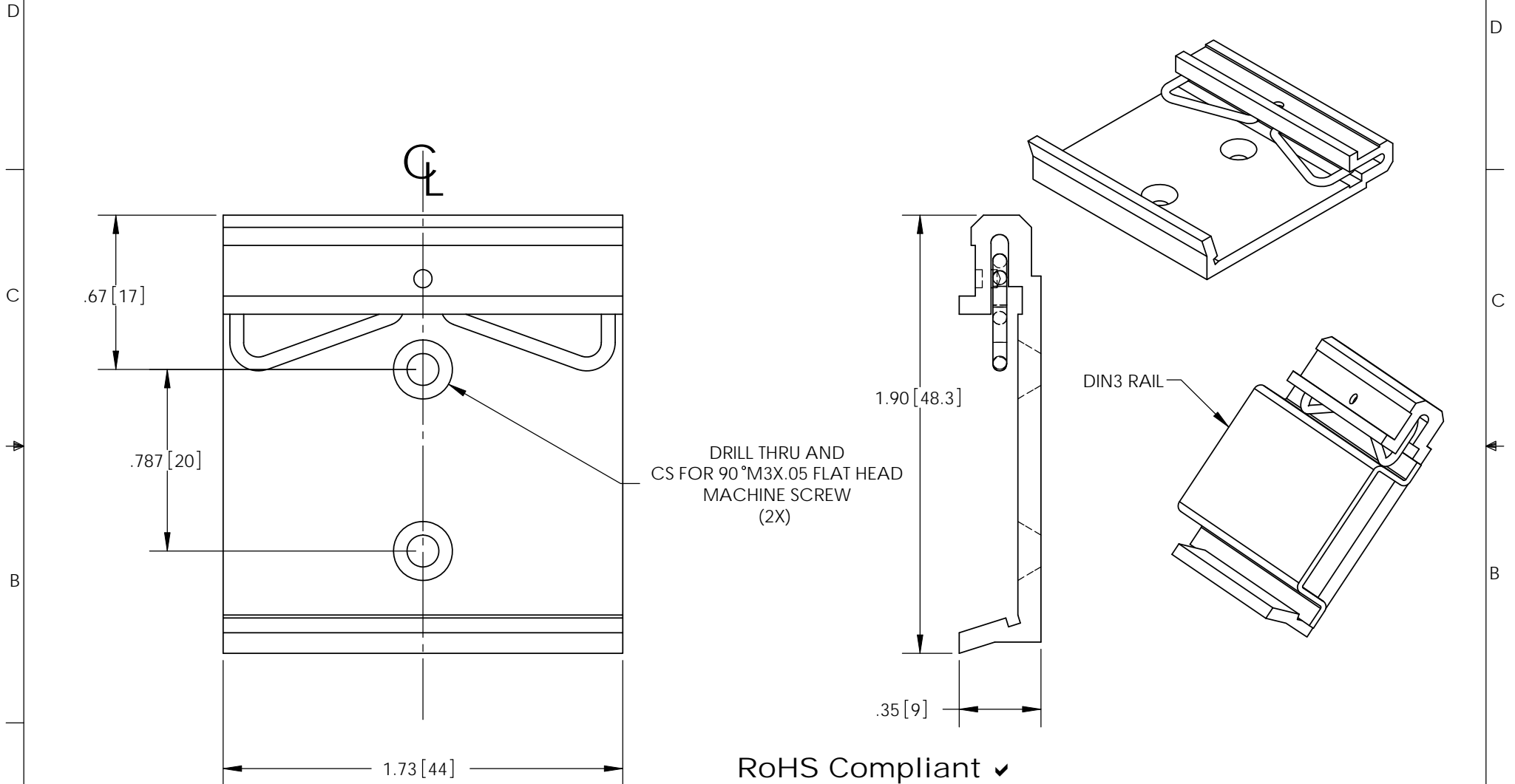


THE INFORMATION CONTAINED IN THIS DRAWING IS THE SOLE PROPERTY OF L-COM, INC. ANY REPRODUCTION IN PART OR WHOLE WITHOUT THE WRITTEN PERMISSION OF L-COM, INC. IS PROHIBITED.

| REVISIONS |   |          |            |
|-----------|---|----------|------------|
| REV       | DESCRIPTION   | DATE     | APPROVED   |
| A         | INITIAL RELEASE   | 07/11/11 | B.PUCHASKI |
| B         | CHANGED FINISH BLACK PWDCOAT TO SILVER SB OX (ECN#5662) | 08/11/11 | B.PUCHASKI |
|           |   |          |            |




DRILL THRU AND CS FOR 90° M3X.05 FLAT HEAD MACHINE SCREW (2X)

DIN3 RAIL

NOTES:  
 MATERIAL: ALUMINUM EXTRUSION  
 FINISH: SILVER SAND BLASTING OXIDATION  
 PACKAGING:  
 COMPONENT SHALL BE PACKAGED IN ACCORDANCE WITH L-COM SPEC PKG-00012.

RoHS Compliant ✓

|   |  |                            |   |  |
|---|--|----------------------------|---|--|
| UNLESS OTHERWISE SPECIFIED, DIMENSIONS ARE IN INCHES [mm]<br><br>DIMENSIONAL TOLERANCES:<br>.X = ±.1<br>.XX = ±.01<br>.XXX = ±.005<br><br>ANGULAR TOLERANCES:<br>ALL = ± 1° | APPROVALS  | DATE                       | <br>45 BEECHWOOD DRIVE<br>NORTH ANDOVER, MA<br>01845 |  |
|   | DRAWN BY<br>B.PUCHASKI                                   | 05/10/11                   |   | CATEGORY<br>LP                                 |
|   | CHECKED BY<br>P.PESA                                     | 05/10/11                   |   | PRODUCT DESCRIPTION<br>DIN3 RAIL MOUNT CLIP 44 |
|   | APPROVED BY<br>P.PESA                                    | 05/10/11                   |   |  |
| PROJECTION  | CONFIGURATION DETAILS OF UNDIMENSIONED FEATURES MAY VARY | COLOR VARIATIONS MAY OCCUR | SIZE <b>A</b> FSCM NO. <b>43321</b> DWG. NO. <b>DIN-MNT44</b> REV. <b>B</b><br>SCALE: NONE    CAD FILE: DIN-MNT44.SLDDRW    SHEET 1 OF 1  |  |