



TELEDYNE LECROY
Everywhereyoulook™



Operator's Manual

DA1855A
Differential Amplifier

DA1855A Differential Amplifier
Operator's Manual

November, 2014





© 2014 Teledyne LeCroy, Inc. All rights reserved.

Unauthorized duplication of Teledyne LeCroy documentation materials other than for internal sales and distribution purposes is strictly prohibited. However, clients are encouraged to distribute and duplicate Teledyne LeCroy documentation for their own internal educational purposes.

Teledyne LeCroy is a registered trademark of Teledyne LeCroy, Inc. Windows is a registered trademark of Microsoft Corporation. Other product or brand names are trademarks or requested trademarks of their respective holders. Information in this publication supersedes all earlier versions. Specifications are subject to change without notice.

Warranty

Teledyne LeCroy warrants this oscilloscope accessory for normal use and operation within specification for a period of one year from the date of shipment. Spare parts, replacement parts and repairs are warranted for 90 days.

In exercising its warranty, Teledyne LeCroy, at its option, will either repair or replace any assembly returned within its warranty period to the Customer Service Department or an authorized service center. However, this will be done only if the product is determined by Teledyne LeCroy's examination to be defective due to workmanship or materials, and the defect is not caused by misuse, neglect, accident, abnormal conditions of operation, or damage resulting from attempted repair or modifications by a non-authorized service facility.

The customer will be responsible for the transportation and insurance charges for the return of products to the service facility. Teledyne LeCroy will return all products under warranty with transportation charges prepaid.

This warranty replaces all other warranties, expressed or implied, including but not limited to any implied warranty of merchantability, fitness or adequacy for any particular purposes or use. Teledyne LeCroy shall not be liable for any special, incidental, or consequential damages, whether in contract or otherwise.

925177-00

November, 2014

Table of Contents

Safety Instructions	1
Symbols.....	1
Precautions.....	1
Operating Environment.....	2
Cooling.....	2
Cleaning.....	2
Calibration.....	3
Power.....	3
Specifications	4
Nominal Characteristics.....	4
Warranted Characteristics.....	6
Typical Characteristics.....	7
Physical Characteristics.....	8
Overview	9
Model Description.....	10
Rack Mount Versions.....	10
Power Cable Option.....	10
Standard Accessories.....	10
Optional Accessories.....	11
Operation	11
General Information.....	11
Dynamic Range.....	11
Front Panel.....	12
Rear Panel.....	17
Instrument Settings.....	20
General Operating Information	24
Power Connection.....	24
Comparator Mode.....	24
Differential Mode.....	24
Setting Up the Oscilloscope with ProBus Interface.....	25
Setting up the Oscilloscope without ProBus Interface.....	30
Determining the Proper Offset Mode.....	35
Avoiding Common Problems.....	35
Care and Maintenance	38
Cleaning.....	38
Calibration Interval.....	38
Service Strategy.....	38
Troubleshooting.....	38
Returns.....	38

DA1855A Differential Amplifier

Applications.....	39
Introduction	39
Voltage Measurements	39
Measuring Current	39
Effects of Probes on Saturation Voltage Measurements.....	40
Saturation Voltage Measurement.....	43
Gate Drive Voltage.....	44
Upper and Lower Gate Drive	45
Avoiding Measurement Errors.....	45
Remote Control Commands.....	46
Command List.....	46
Gain Control Mode.....	47
Attenuation.....	47
Auto-Zero	48
Bandwidth Limit.....	48
Coupling.....	49
Gain	50
Offset	51
Input-Resistance	52
Probe Attenuation	53
Precision Voltage Generator.....	54
Volt / DIV.....	55
Performance Verification.....	56
Test Equipment Required	56
Preliminary Procedure	58
Functional Check	59
Verification Procedure.....	60
Performance Verification Test Record	77
Reference.....	80
Differential Mode and Common Mode	80
Differential Mode Range and Common Mode Range	80
Common Mode Rejection Ratio	80
Certifications	82
Returning a Product.....	85
Contact Teledyne LeCroy	86

Safety Instructions

This section contains instructions that must be observed to keep this oscilloscope accessory operating in a correct and safe condition. You are required to follow generally accepted safety procedures in addition to the precautions specified in this section. **The overall safety of any system incorporating this accessory is the responsibility of the assembler of the system.**

Symbols

These symbols appear on the instrument's front or rear panels and in its documentation to alert you to important safety considerations.



CAUTION of potential damage to instrument, or **WARNING** of potential bodily injury. Attend to the accompanying information to protect against personal injury or damage. Do not proceed until conditions are fully understood and met.



High voltage. Risk of electric shock.



Measurement ground connection.



Safety (protective) ground connection.



Alternating Current.



Power On; connected to AC mains.



Power Off; disconnected from AC mains.

Precautions

- **Use proper power cord.** Use only the power cord shipped with this instrument and certified for the country of use.
- **Maintain ground.** This product is grounded through the power cord grounding conductor. To avoid electric shock, connect only to a grounded mating outlet.
- **Connect and disconnect properly.** Do not connect/disconnect probes or test leads while they are connected to a voltage source.
- **Observe all terminal ratings.** Do not apply a voltage to any input that exceeds the maximum rating of that input. Refer to the specifications for maximum input ratings.
- **Use only within operational environment listed.** Do not use in wet or explosive atmospheres.

DA1855A Differential Amplifier

- **Use indoors only.**
- **Keep product surfaces clean and dry.**
- **Do not block the cooling vents.** Leave a minimum six-inch (15 cm) gap between the instrument and the nearest object. Keep the underside clear of papers and other objects.
- **Do not remove the covers or inside parts.** Refer all maintenance to qualified service personnel.
- **Do not operate with suspected failures.** Do not use the product if any part is damaged. Obviously incorrect measurement behaviors (such as failure to calibrate) might indicate impairment due to hazardous live electrical quantities. Cease operation immediately and sequester the instrument from inadvertent use.

Operating Environment

Temperature: 0 to 50 °C.

Humidity: Maximum relative humidity 80 % for temperatures up to 31 °C decreasing linearly to 50 % relative humidity at 50 °C.

Altitude: Up to 2,000 m (6,562 ft).

Cooling

The instrument relies on forced air cooling with internal fans and vents. Take care to avoid restricting the airflow to any part of the amplifier. Around the sides and rear, leave a minimum of 15 cm (6 inches) between the instrument and the nearest object. At the bottom, the amplifier feet (up or down) provide adequate clearance.



CAUTION. Do not block vents. Always keep the area beneath the amplifier clear of paper and other items.

The instrument also has internal fan control circuitry that regulates the fan speed based on the ambient temperature. This is performed automatically after start-up.

Cleaning

Clean only the exterior of the amplifier using a damp, soft cloth. Do not use harsh chemicals or abrasive elements. Under no circumstances submerge the instrument or allow moisture to penetrate it. Avoid electric shock by unplugging the power cord from the AC outlet before cleaning.



CAUTION. Do not attempt to clean internal parts. Refer to qualified service personnel.

Calibration

The amplifier is calibrated at the factory prior to being shipped. The recommended calibration interval is one year. Calibration should be performed by qualified personnel only. Schedule an annual factory calibration as part of your regular maintenance. Extended warranty, calibration, and upgrade plans are available for purchase. Contact your Teledyne LeCroy sales representative or customersupport@teledynelecroy.com to purchase a service plan.

Power

AC Power Source

100 to 240 VAC ($\pm 10\%$) at 50/60 Hz ($\pm 10\%$).

Manual voltage selection is not required because the instrument automatically adapts to line voltage.

Power Consumption

DA1855A: 28 Watts (39 VA)

DA1855A-PR2: 56 Watts (78 VA)

Power and Ground Connections

The amplifier is provided with a 10A/250V 18AWG rated grounded cord set containing a molded three-terminal polarized plug and a standard IEC320 (Type C13) connector for making line voltage and safety ground connections.

The AC inlet ground is connected directly to the frame of the instrument. For adequate protection against electric shock, connect to a mating outlet with a safety ground contact.



WARNING. Interrupting the protective conductor inside or outside the device, or disconnecting the safety ground terminal, creates a hazardous situation. Intentional interruption is prohibited.

Power On/Off

The Power On/Off switch on the back of the amplifier controls the operational state of the device. Press the side of the switch closest to either **On** or **Off**.

Specifications

These specifications are valid for instruments when the following conditions have been met:

- The instrument is being operated from a power source, which meets the line voltage and frequency specifications.
- The instrument has been operating for at least 20 minutes in an environment, which is within the operating environmental specifications.
- The instrument has been calibrated within the last 12 months. Calibration was performed in a controlled environment of $25^{\circ}\text{C} \pm 5^{\circ}\text{C}$.

Nominal Characteristics

Nominal characteristics describe parameters and attributes which are guaranteed by design, but do not have associated tolerances.

General

Input Configuration	True Differential, + and – Inputs Precision Voltage Generator can be selected as – input source in V_{COMP} mode.
Offset Capability	The Precision Voltage Generator can be used to provide true differential offset.
+Input Coupling Selections	AC, Off (Precharge), DC
–Input Coupling Selection	AC, Off (Precharge), DC, V_{COMP}
Input Connectors	BNC (+Input incorporates Probe Attenuation Coding sensing connector)
Maximum Input Voltage	Withstand up to $\pm 200\text{ Vp}$ continuous. Automatic input disconnect with manual reset.
Output Configuration	Single ended, Ground referenced
Output Impedance	50 Ω
Intended Output Load	50 Ω
Output Connector	BNC
Amplifier Gain	X1 or X10
Input Attenuation	$\div 1$ or $\div 10$
Bandwidth Limit Filters	100 kHz, 1 MHz, 20 MHz or
(Low Pass)	None (full bandwidth)
Bandwidth Limit Filter Characteristics	3-pole Bessel, 18 dB/octave

General, continued

Auto Zero	Amplifier initiates an automatic balance cycle, when either gain button is depressed, to remove output offset drift
Effective Gain Indicator	Indicators show the effective system gain or attenuation, factoring Probe Attenuation, Attenuator and gain settings. (Probe must have coding connectors. $\div 1$, $\div 10$, $\div 100$ and $\div 1000$ probes are recognized)

Dynamic Ranges**Maximum Differential Mode Range**X10 Gain, $\div 1$ Attenuator $\pm 50 \text{ mV}^1$ X1 Gain, $\div 1$ Attenuator $\pm 0.5 \text{ V}^1$ X10 Gain, $\div 10$ Attenuator $\pm 0.5 \text{ V}^1$ X1 Gain, $\div 10$ Attenuator $\pm 5 \text{ V}^1$ **Maximum Input Slew Rate** $\div 1$ Attenuator $\pm 0.15 \text{ V}/\mu\text{sec}$ $\div 10$ Attenuator $\pm 1.5 \text{ V}/\mu\text{sec}$ **Maximum Common Mode Range** $\div 1$ Attenuator $\pm 15.5 \text{ V}^1$ $\div 10$ Attenuator $\pm 155 \text{ V}^1$ **Differential Offset Range (V_{DIFF} mode referred to input)**X10 Gain, $\div 1$ Attenuator $\pm 1 \text{ V}^1$ X1 Gain, $\div 1$ Attenuator $\pm 10 \text{ V}^1$ X10 Gain, $\div 10$ Attenuator $\pm 10 \text{ V}^1$ X1 Gain, $\div 10$ Attenuator $\pm 100 \text{ V}^1$ **Comparison Offset Range (V_{COMP} mode, referred to input)** $\div 1$ Attenuator $\pm 15.5 \text{ V}^1$ $\div 10$ Attenuator $\pm 155 \text{ V}^1$

1 Voltages are referred to the amplifier input connector. Multiply by probe attenuation factor to obtain value referred to probe input (e.g. $\pm 50 \text{ mV}$ becomes $\pm 0.5 \text{ V}$ at the probe tip when using a $\div 10$ probe.)

Precision Voltage Generator

Output Range	$\pm 15.5 \text{ V}$
Output Impedance	$\approx 10 \Omega$
Resolution	100 μV
Control	Individual increment and decrement digits carry over to the next decade
Reference Type	Oven stabilized buried zener diode
Output Routing	Can be applied to –Input and available at rear panel BNC connector

Power Requirements

Line Voltage Range	90 - 264 VAC
Line frequency Range	45 - 66 Hz

Warranted Characteristics

Warranted characteristics describe parameters which have guaranteed performance. Unless otherwise noted, tests are provided on page 60, Performance Verification, for all warranted specifications.

Gain Accuracy	$\pm 1\% +$ uncertainty of termination resistance
Bandwidth (-3 dB) x1 Gain	$> 100 \text{ MHz}$
Rise Time	$< 3.5 \text{ nsec}$ (Calculated from bandwidth)
Common Mode Rejection	x1 or x10, $\div 1$ attenuation
70 Hz	$\geq 50,000:1$ (94 dB)
100 kHz	$\geq 50,000:1$ (94 dB)
10 MHz	$\geq 316:1$ (50 dB)
Precision Voltage Generator	$\pm 0.05\%$ of reading $\pm 500\mu\text{V}$ accuracy (15° C to 45° C)

Typical Characteristics

Typical characteristics describe parameters, which do not have guaranteed performance. Tests for typical characteristics are not provided in the Performance Verification Procedure.

Input Resistance

÷1 Attenuator	1 MΩ or 100 MΩ 1 MΩ only when used with attenuating probe
÷10 Attenuator	1 MΩ
Input Capacitance	20 pF
AC Input Coupling Capacitance	0.1 μF
÷10 Attenuator Accuracy	0.05%
Bandwidth, x10 Gain	100 MHz
Common Mode Rejection Ratio	Refer to Figure 22
Input Noise	<i>Refer to Figure 23</i> (With DXC100A probe, 100 Ω between tip and ground)
Overdrive recovery	In X10 gain, settles within 1 mV referred to input within 100 nsec from 4 V input (8000% overdrive)
Output Zero¹	≤ 2 mV referred to input
Input Leakage Current	<10 pA (0° C to 45° C)

Differential Offset Accuracy

X10 Gain, ÷1 Attenuator	0.1% + 50 μV ²
X1 Gain, ÷1 Attenuator	0.1% + 500 μV ²
X10 Gain, ÷10 Attenuator	0.15% + 500 μV ²
X1 Gain, ÷10 Attenuator	0.15% + 5 mV ²
Precision Voltage Generator	<75 μV/°C

Temperature Coefficient (power consumption)

DA1855A	≈ 28 W, ≈ 39 VA
DA1855A-PR2	≈ 56 W, ≈ 78 VA

¹Output Zero is the output voltage from zero with zero Volt applied between inputs. This specification is valid within 30 minutes from last Autozero cycle, and when the differential amplifier is operating in an environment with stable ambient temperature.

²Voltages are referred to the amplifier input connector. Multiply by probe attenuation factor to obtain value refer to probe input. (e.g. 0.1% + 50 μV becomes 0.1% + 500 μV at the probe tip when using a ÷10 probe.)

Physical Characteristics

Height	DA1855A	7.29 cm (2.87 inch)
	DA1855A-PR2	8.75 cm (3.4 inch)
Width	DA1855A	21.2 cm (8.36 inch)
	DA1855A-PR2	43.9 cm (17.3 inch)
Depth	DA1855A	23.2 cm (9.12 inch)
	DA1855A-PR2	42.5 cm (16.7 inch)
Weight	DA1855A	2.15 kg (4 lbs 12 oz.)
	DA1855A-PR2	9.5 kg (21 lbs)
Shipping Weight	DA1855A	3.12 kg (6 lbs 14 oz.)
	DA1855A-PR2	11.3 kg (25 lbs)

Overview

The DA1855A is a stand-alone high performance 100 MHz differential amplifier. It is intended to act as signal conditioning preamplifier for oscilloscopes, spectrum analyzers and other instruments, providing differential measurement capability to instruments having only a single-ended input. When used with a DA1855A, high quality oscilloscopes can obtain common mode rejection and overdrive recovery performance that was previously unobtainable in any product.

When used with a Teledyne LeCroy oscilloscope equipped with ProBus interface, the DA1855A can be controlled through the oscilloscope user interface or remote commands.

When used with non ProBus oscilloscopes, the DA1855A settings can be controlled directly through the front panel controls.

Amplifier gain may be set to 1 or 10. A built-in input attenuator may be separately set to attenuate signals by a factor of 10, allowing gains of 10, 1, or 0.1 and common mode dynamic range of $\pm 15.5\text{ V}$ ($\div 1$) or $\pm 155\text{ V}$ ($\div 10$). Optional probes increase the maximum input signal and common mode ranges in proportion to their attenuation ratio, but not exceeding their maximum input voltage rating. Effective gain of the DA1855A, including probe attenuation, amplifier gain and attenuator settings, is automatically displayed.

The DA1855A has a bandwidth of 100 MHz, but any one of the three 3-pole bandwidth limit filters may be selected to reduce bandwidth to 20 MHz, 1 MHz or 100 kHz to limit noise above the frequency of interest.

The DA1855A output is limited at $\pm 500\text{ mV}$ so that the oscilloscope is not overdriven by large inputs. This allows an oscilloscope to directly measure the settling of D/A converters with 14 bit (60ppm) precision.

The DA1855A features a built-in Precision Voltage Generator (PVG) that can be set to any voltage between $\pm 15.5\text{ Volt}$ ($\pm 10\text{ Volt}$ in Differential Offset mode) with 5-1/2 digit resolution. Each digit of the voltage generator output can be individually incremented or decremented. Positive or negative polarity can be selected. The PVG's output can be selected as an input to the inverting (–) input of the amplifier for operation as a differential comparator or applied internally as a true differential offset voltage. The voltage is also available to be used externally through a rear panel connector.

To maintain the amplifier's high Common Mode Rejection performance, special differential probes such as the Teledyne LeCroy model DXC series are recommended and are available as optional accessories.

Model Description

The DA1855A series is comprised of 2 models which differ in physical configuration. Both contain the same 100 MHz differential amplifier which provides high common mode rejection, extremely fast overdrive recovery, selectable $\div 1$ or $\div 10$ attenuation, selectable X1 or X10 gain, a 5-1/2 digit Precision Voltage Generator (PVG), selectable upper bandwidth limiting filters, an effective gain display, and ± 500 mV output swing limiting. The PVG provides a calibrated reference for Differential Offset or Comparison modes. The PVG reference voltage is also available through a BNC connector on the rear panel.

DA1855A: Single channel unit packaged in a convenient desk top housing.

DA1855A-PR2: Two independent model DA1855A amplifiers packaged in one housing with one line power input connection. The housing is intended for desk top use, where it can be placed under an oscilloscope.

Rack Mount Versions

Rack mounted versions available for models:

- DA1855A-RM: Single channel rack mounted version.
- DA1855A-PR2-RM: Dual channel rack mounted version.

Power Cable Option

(One must be specified at time of order)

- Option – P01: 120 V North America / Japan
- Option – P02: United Kingdom
- Option – P03: Universal Europe
- Option – P04: Australia / New Zealand
- Option – P05: Switzerland

Standard Accessories

Each DA1855A Differential Amplifier is packaged for shipment with the following items:

- Power cable, as specified by power cable option.
- ProBus interface cable with BNC signal cable. (-PR2 models include 2 ProBus cables)
- Certificate of Calibration traceable to NIST (United States National Institute of Standards and Technology)
- Operator's Manual, which includes a Performance verification Procedure.

Optional Accessories

- Service Manual, containing adjustments, repair and replacement part information P/N: DA1855A-SM-E.
- DXC100A, $\div 10$ / $\div 100$ Passive Differential Probe.
- DXC200, $\div 1$ Passive Differential Probe.
- DXC5100, $\div 100$ 2.5 K Passive Differential Probe Pair
- DA101, External $\div 10$ Attenuator.

Operation

General Information

The DA1855A has been designed to be used with oscilloscopes equipped with a ProBus interface. Connecting the Differential Amplifier to the oscilloscope through the ProBus interface will automatically control all the required settings from the oscilloscope and will lock-out the DA1855A front panel controls. All front panel controls are now accessible through the oscilloscope user interface. The DA1855A user interface can be viewed from the Channel setup dialog for the channel to which it is connected. The DA1855A front panel controls will operate manually when the Differential Amplifier is connected to an oscilloscope not provided with a ProBus interface.

NOTE: Removing the ProBus interface cable with the differential amplifier still powered up, requires the DA1855A to be turned OFF and ON to access the front panel controls.

Dynamic Range

The basic amplifier dynamic range in X1 Gain and $\div 1$ Attenuation is ± 0.500 V. Changing the gain and or attenuation will affect both the Differential Mode and Common Mode ranges.

The Differential Mode range is scaled by both gain and attenuation, while the Common Mode range is scaled by attenuation only.

Gain	Atten*	Differential Mode*	Common Mode*
1	$\div 1$	± 0.5 V	± 15.5 V
1	$\div 10$	± 5.0 V	± 155 V
10	$\div 1$	± 50 mV	± 15.5 V
10	$\div 10$	± 0.5 V	± 155 V

* Attenuation, Common Mode and Differential Mode ranges are scaled with external probe attenuation. A $\div 10$ probe will increase all these values by a factor of 10.

Front Panel

Input Connectors

Signals applied to the +INPUT and the –INPUT are connected either directly to the DA1855A amplifier's inputs or to the input attenuators. Maximum input voltage is ± 200 Vp

A signal connected to the +INPUT will remain its polarity at the output connector. A signal connected to the –INPUT will be inverted in polarity.

Attenuators

The input attenuators are passive networks which divide each signal by ten.

In $\div 1$ mode the front panel input connectors are directly connected to the DA1855A amplifier's differential inputs.

In $\div 10$ mode each front panel input connector is connected to a passive 1 M Ω attenuator. The attenuator output is connected to the DA1855A amplifier's corresponding differential input. The signal at each input is attenuated by a factor of ten.

Gain

The DA1855A amplifier gain (amplification) is selectable between X1 and X10. The amplified signal appears at the rear panel AMPLIFIER OUTPUT connector.

Gain will affect the differential mode output signal by amplifying the signal difference between the +INPUT and the –INPUT, but will not affect the common mode signal, the signal common to the +INPUT and them –INPUT.

Output Termination

Proper gain is obtained when the DA1855A drives a 50 Ω load such as an oscilloscope with input impedance set to 50 Ω . Automatic 50 Ω termination is obtained when the DA1855A is connected to a Teledyne LeCroy oscilloscope through the ProBus interface.

An instrument with only a 1 M Ω input impedance available should have a 50 Ω coaxial termination placed on its input connector. The DA1855A is then connected to the oscilloscope through the coaxial termination.

Input Resistance

When the input ATTENUATOR is set to $\div 1$ and no attenuating probe is connected, the input resistance can be increased from 1 M Ω to 100 M Ω . This is advantageous when measuring high impedance circuits or when AC coupling is needed with a very low frequency cut off. When the input ATTENUATOR is set to $\div 10$ or an attenuating probe with read out capability is attached, 1 M Ω (1M) input resistance is automatically selected.

Unbalanced source impedances can have an adverse effect on common mode rejection. For example, a differential source with impedances of 1000 and 2000 Ω , each loaded with 1 M Ω will have a common mode rejection ratio (CMRR) of 1000 to 1. The common mode rejection ratio can be improved to 100,000 to 1 by using 100 M Ω input resistance.

Auto Zero

Auto Zero is a feature invoked from the Channel setup dialog when the amplifier is connected via the ProBus interface. If the Differential Amplifier is not connected through a ProBus interface, push either the X1 or X10 button, even if a different gain is not selected. Auto Zero momentarily sets the input coupling to OFF and determines the offset necessary to set the output at 0 Volt. During this process the front panel input signal to the amplifier is interrupted. When the Auto Zero cycle is completed, the input coupling returns to its previous state. Auto Zero usually takes less than one second to complete. This feature allows you to DC balance the DA1855A simply by pushing the GAIN button which is already illuminated. When changing gains, the Auto Zero feature is automatically invoked, adjusting the amplifier's DC balance.

+ Input Coupling (AC – OFF – DC)

In OFF mode, the input connector is disconnected from the amplifier input, and the amplifier input is connected to ground. The AC coupling capacitor is connected between the +INPUT and ground through 1 M Ω resistor, independent of the INPUT RESISTANCE setting. In this mode, the AC coupling capacitor is quickly charged to the average DC input voltage. OFF mode is also referred to as precharge mode. Precharge is particularly useful prior to selecting AC coupling when the input voltage has a DC component in excess of 19 V. The DA1855A input coupling is set to OFF and connected to the circuit under test. When the +INPUT is changed from OFF to AC mode, the coupling capacitor is already charged, and the trace properly centered on the oscilloscope screen. Additionally, the risk of tripping the input overload detector and automatically disconnecting the input is eliminated.

In the AC mode, the +INPUT is connected through an AC coupling capacitor to the amplifier input or the input attenuator. The coupling capacitor retains its charge when the input is switched to DC, making it possible to return to the same circuit without the precharge time. But this also makes it possible to discharge the coupling capacitor into another circuit under test if its DC voltage differs by more than approximately 19 V from the voltage on the coupling capacitor.

NOTE: The discharge current from the AC coupling capacitor is limited to about 70 mA. In some situations this could damage sensitive circuits. To avoid the inrush current transient, it is therefore recommended that the +INPUT coupling first be changed to the OFF (precharge) when measuring a new circuit point. This will safely recharge the AC coupling capacitor in less than 0.3 seconds.

DC and low frequencies are attenuated by the AC coupling capacitor and the input resistance. With the ATTENUATOR set to $\div 10$, or set to $\div 1$ with the INPUT RESISTANCE set to 1 M the cut off (-3dB point) is approximately 1.6 Hz. When the input attenuator is set to $\div 1$, the INPUT

DA1855A Differential Amplifier

RESISTANCE may be set to 100 M Ω , and the corner frequency is 0.016 Hz. This extremely low frequency cut off is useful for observing low frequency noise riding on larger DC voltages.

In the DC mode, the +INPUT connector is connected to the amplifier either directly or through the input attenuator, and the AC and DC attenuation are the same.

- Input Coupling (AC–OFF – DC – VCOMP)

The –INPUT has the same coupling modes as the +INPUT plus one additional option, VCOMP (comparison voltage).

The DA1855A contains a precision DC voltage source which is controlled by the oscilloscope OFFSET control. (When the amplifier is used stand alone, without ProBus interface to a Teledyne LeCroy oscilloscope, the voltage is controlled by the push buttons above and below the front panel numerical display.) This voltage source is called the Precision Voltage Generator (PVG).

The DA1855A's amplifier subtracts the voltage applied to its inverting input from the voltage applied to its non-inverting input. The DA1855A output is therefore zero whenever these two voltages are equal. For this reason, the voltage applied to the inverting input is called a comparison voltage, VCOMP. Stated another way, the value of the horizontal center line in the oscilloscope graticule is the voltage read in the PVG display. Each graticule line above or below the center line will add or subtract the Volts/div value from the PVG setting.

VCOMP can be used to make precise measurements of large signals by comparing the accurately known VCOMP with the unknown signal. It can also be used to measure the actual voltage at any point of a waveform.

Since the amplifier's gain and input attenuator are individually selectable, the comparison range can be changed from ± 15.500 V to ± 155.000 V by changing the ATTENUATION from $\div 1$ to $\div 10$, while the overall gain can still be set either to 1 or 0.1 by selecting either X10 or X1 GAIN.

NOTE: While in V_{COMP} mode, the amplifier is configured for single ended measurements. The –INPUT connector is not usable when V_{COMP} is selected. The input signal applied to the + INPUT is referenced to ground offset by the value set by the Precision Voltage Generator. Large calibrated offsets can be obtained while making differential measurements by using V_{DIFF} mode.

Precision Voltage Generator

The PVG generates the voltage which is used in the V_{COMP} and V_{DIFF} modes and appears at the rear panel OFFSET VOLTAGE (PVG) output connector for use as a reference voltage.

The Precision Voltage Generator (PVG) output range is ± 15.500 Volt. The PVG is never attenuated by the input attenuator. Attenuation of the +INPUT signal by the $\div 10$ input attenuator will cause the PVG to null out an input voltage up to ± 155.00 Volt which is ten times larger than the actual PVG voltage.

The increase in common mode voltage range also applies when using attenuating probes.

When the DA1855A is used with attenuating probes that feature readout, the PVG display is changed to indicate the voltage at the +INPUT probe tip which will bring the amplifier output to zero.

When connected to a Teledyne LeCroy oscilloscope via the ProBus interface, the oscilloscope OFFSET control increments or decrements the PVG's output voltage and the offset value will be shown on the six PVG front panel indicators. The new offset value will also be displayed on the oscilloscope's screen for a few seconds after a change has been made.

When connected to an oscilloscope not provided with a ProBus interface, the PVG can be accessed by means of push buttons. Above each digit is a push button which increments the corresponding digit by one when pushed. When held, the digit continues to increment, eventually incrementing the next higher digit.

Similarly, below each digit is a push button which decrements the corresponding digit.

The \pm button above the left-most digit changes the PVG output polarity. The ZERO button below the left-most digit sets the output to zero and invokes the PVG's Auto Zero function. PVG absolute mode: DA1855 PVG increment and decrement buttons always function to increment or decrement the voltage display respectively. When decrementing from a positive voltage, the display always stops at zero. To obtain negative voltages, the $\pm\pm$ button must be pushed, and the increment button is used to increase the magnitude of the negative voltage. This operation is natural if simply setting a voltage, but unnatural if moving a displayed oscilloscope waveform. This is known as the PVG absolute mode, and the only mode available in the original DA1855, (non "A" model). The DA1855A retains the option of operating in this same manner as well as supporting PVG roll through zero mode.

NOTE: When the DA1855A is controlled remotely through a Teledyne LeCroy oscilloscope, neither PVG absolute or PVG roll through zero modes apply. When operated remotely, the PVG value is controlled with the use of the OFFSET knob on the oscilloscope, when in effect, operates in the roll through mode.

PVG roll through zero mode: The DA1855A increment buttons are oscilloscope waveform related by factory default. The increment buttons move a displayed oscilloscope waveform upward and the decrement buttons move the waveform downward independent of the PVG polarity. Decrements from a positive voltage will roll smoothly through zero. This is known as roll through zero mode.

Toggle PVG modes: To change from roll through zero to absolute mode of operation hold the PVG ZERO button and press the \pm button. Change back to the roll through zero mode by repeating the same operation.

Differential Offset

V_{DIFF} (differential offset voltage) is an instrument mode rather than a type of input coupling. The V_{DIFF} mode allows the PVG to inject a calibrated offset signal into the DA1855A while still using both inputs for full differential operation. This mode can be used as a position control to move the trace on the oscilloscope screen in preference to using the oscilloscope's position or offset control. The oscilloscope's position and offset controls should always be set to zero so that the DA1855A's dynamic range is properly centered. (This is done automatically when using a Teledyne LeCroy oscilloscope with ProBus interface.) When the oscilloscope is set to greater sensitivities (lower Volts/Div settings), the Differential offset provides much greater range than the conventional position control. For example, at 50 mV/div, the V_{DIFF} mode provides up to ± 200 divisions of range.

Operation of the DA1855A using the V_{DIFF} function is the same as V_{COMP} except for the following:

- The $-INPUT$ remains active, allowing full use of the DA1855A as a differential amplifier.
- The maximum range of the PVG is ± 10.000 Volt in X1 GAIN and ± 1.0000 Volt in X10 GAIN. The effects of the $\div 10$ input ATTENUATOR and probe attenuation are the same as when using VCOMP, i.e., any input attenuation multiplies the effective offset.

The DA1855A's PVG display is changed to indicate the voltage that, if applied between the $+INPUT$ and $-INPUT$, would bring the amplifier output to zero. When the DA1855A is used with attenuating probes which feature readout, the PVG display is scaled to include the effect of probe attenuation.

Effective Gain

Six indicators (LEDs) across the top of the DA1855A front panel show the total gain from the instrument input to output. Logic within the amplifier includes the gain, internal attenuation, and probe attenuation factors (when readout encoded probes are used) to determine the effective gain. When the X1 light is ON, the overall amplifier voltage gain (amplification) is unity. Similarly, X10 indicates an overall amplification of ten times, $\div 10$ Indicates the voltage amplification is 0.1, etc.

The DA1855A communicates the effective gain information to the Teledyne LeCroy oscilloscope when the ProBus interface is used. This corrects the scale factor of the displayed waveforms, cursors and measurements.

When Teledyne LeCroy DXC series or other readout encoded probes are used, the effective gain includes the probe's attenuator factor.

BW Limit

FULL

The DA1855A amplifier's full bandwidth, over 100MHz, is passed to the oscilloscope, spectrum analyzer or digitizer. Frequency response and transient response are essentially independent of the oscilloscope's input impedance.

20 MHz

A 20MHz three pole (18dB/octave) filter allows the DA1855A to reduce extraneous noise. This filter is a passive LC design and is intended to drive a

50 Ω load. Without the load, the filter's frequency response and transient response are altered.

1 MHz

The 1MHz filter is of the same design as the 20 MHz filter, and the same remarks apply.

100 kHz

The 100kHz filter is an active filter with a 50 Ω output impedance. Transient and frequency response are independent of the load impedance.

Overload

When a signal, which could damage the DA1855A, has been applied to either input connector, the DA1855A protects itself by disconnecting the signal. The input coupling mode changes to OFF, and the OVERLOAD light is turned on.

To reset the amplifier to normal operation, remove the offending input, press any of the input coupling modes (AC, OFF, or DC). The Overload light will turn off indicating the amplifier is reset.

When the ATTENUATOR is set to $\div 1$, an input signal of approximately ± 19 Volt will activate the overload protection circuit. Fast transients will draw up to about 70 mA of input current for a brief period before the input coupling relay acts to disconnect the input.



CAUTION. Inputs in excess of 250 Volt may cause permanent damage to the DA1855A.

The input is not disconnected when the ATTENUATOR is set to $\div 10$. The input attenuator can withstand up to 200 Volt continuous input.

Rear Panel

Power

Normal instrument operation is obtained with the power switch in the 1 (ON) position. The instrument can be used immediately, however it requires a 30 minute warm up period to reach specified performance. Prior to reaching operating temperature, the amplifier offset will drift and the output from the Precision Voltage Generator may not be within specification. In high humidity environments the time to stabilize may be much longer. In high humidity environments or when warm-up time inhibits power switch left in the 1 (ON) position.

Power Up Indicator

Upon turn-on, the model number and firmware version are briefly displayed in the PVG readout. For example, 1855.12 indicates that the instrument is a model DA1855A and the firmware version is 1.2.

Precision Voltage Generator Offset Voltage

The rear panel OFFSET VOLTAGE BNC (PVG) output connector, is a monitor of the Precision Voltage Generator (PVG). The voltage present on this connector is the same voltage as that applied to the –INPUT when the –INPUT coupling is set to VCOMP or internally to the DA1855A when VDIFF is selected. The OFFSET VOLTAGE output can be used to monitor the PVG with a digital Voltmeter (DVM). A low pass filter between the PVG output and the –INPUT removes radio frequency interference (RFI) from the signal. This filter does not attenuate the PVG signal.

The PVG output is not attenuated by the input attenuator or probes, whereas the input signal is. Therefore the effective range of V_{COMP} is increased by a factor of 10 when the $\div 10$ ATTENUATOR is selected or a $\div 10$ attenuating probe is used to attenuate the input signal. The PVG numerical display reflects the attenuator setting and probe attenuation when the probe is readout encoded. As an example, if there are no probes attached, the $\div 10$ ATTENUATOR is selected and the display is set to read –155.000, the PVG output will actually be –15.5 Volt.

The decimal in the display will be in the correct location to indicate the voltage at the PVG output when no probes are attached and $\div 1$ ATTENUATOR and X1 GAIN are selected.

The OFFSET VOLTAGE BNC (PVG) output also presents the same voltage used internally for differential offset when V_{DIFF} is selected. Because the PVG is applied to the amplifier to create a true differential offset, the relationship between V_{DIFF} and the voltage at the OFFSET VOLTAGE BNC (PVG) output (changes with the amplifier gain selection according to the following table:

The maximum V_{DIFF} is multiplied by any probe attenuation factor. The DA1855A front panel displays the correct offset referred to the instrument input.

Table 1, V_{DIFF} Range for Different Gain and Attenuator Settings

Gain	Attenuation Max.	V_{DIFF}
X1	$\div 1$	± 10 V
X1	$\div 10$	± 100 V
X10	$\div 1$	± 1 V
X10	$\div 10$	± 10 V

When using readout encoded probes which the DA1855A senses, the PVG readout calculates the effective differential offset at the probe tip. Of course, both probes must have the same attenuation factor.

In the V_{COMP} mode, the maximum OFFSET VOLTAGE input is limited by the DA1855A common mode dynamic range. In the V_{DIFF} mode it is limited by the dynamic range of the internal V_{DIFF} amplifier.

Table 2 and Table 3 will help the operator stay within the maximum input voltage limits and understand the relationship between the actual voltage applied and the effective voltage. Effective voltage is always referred to the input of the DA1855A or the probe tip if a probe is used. When using probes, the maximum effective voltage range may be limited by the maximum voltage rating of the probe.

Table 2, Effective Offset Range with $\div 11$ Probe

Front Panel		Effective Offset	
Settings		Range	
Gain	Attenuation	V _{COMP}	V _{DIFF}
X1	$\div 1$	± 15.5 V	± 10 V
X1	$\div 10$	± 155 V	± 100 V
X10	$\div 1$	± 15.5 V	± 1 V
x10	$\div 10$	± 155 V	± 10 V

NOTE: The effective voltage is always increased by the attenuator. It therefore follows that any probe will increase the effective voltage of both V_{COMP} and V_{DIFF} by its attenuation factor. For example, a probe with a 100X attenuation factor will increase the effective full scale range by 100.

Table 3, Effective Offset Range with $\div 100$ Probe

Front Panel		Effective Offset	
Settings		Range with $\div 100$ Probe	
Gain	Attenuation	V _{COMP}	V _{DIFF}
X1	$\div 1$	± 1.55 kV	± 1 kV
X1	$\div 10$	± 15.5 kV	± 10 kV
X10	$\div 1$	± 1.55 kV	± 100 V
x10	$\div 10$	± 15.5 kV	± 1 kV

Although the full scale range may be 10 kV or 15.5 kV, most probes have a much lower maximum input voltage rating which must not be exceeded.

Amplifier Output

The AMPLIFIER OUTPUT BNC is intended to be used with an oscilloscope, spectrum analyzer or instrument having a 50 Ω input resistance. The amplifier's output impedance is 50 Ω . Without the 50 Ω load, the amplifier gain will be uncalibrated and will be approximately twice the amount indicated on the front panel. Proper operation of the 1 MHz or 20 MHz bandwidth limit filters requires an output load impedance of 50 Ω .

DA1855A Differential Amplifier

Remote Operation

A REMOTE connector on the rear panel of the DA1855A allows total control of the instrument through a Teledyne LeCroy oscilloscope when connected to ProBus using the supplied cable. All of the instrument functions can be controlled through the oscilloscope user interface.

Remote control is also possible using commands sent through the IEEE-488 bus or through RS-232 connected to the oscilloscope. The DA1855A cannot be remotely controlled without a Teledyne LeCroy oscilloscope. See page 46 for a description of the Remote Commands.

When the ProBus cable is installed, the buttons on the front panel of the differential amplifier are disabled.

NOTE: Remote operation requires software version 6.6.0.5 or higher.

Probe Coding Input

This jack is to be used with Teledyne LeCroy DXC series probes to detect the probe attenuation factor. Other manufacturer's probes with standard probe coding capability will be properly decoded through the DA1855A's front panel +INPUT BNC connector.

Instrument Settings

The DA1855A output is intended to connect directly to the input of an oscilloscope, or other instrument, but it is important to observe some rules so that the DA1855A delivers its specified performance.



CAUTION. A properly terminated differential amplifier can deliver an output voltage of ± 0.5 Volt. The output is DC coupled and will follow any DC component applied to the input. Some instruments such as spectrum analyzers could be damaged from overload or DC components.

Retained Settings

All front panel settings, including Precision Voltage Generator (PVG) settings are retained when the instrument is turned off. The DA1855A return to the same state they were in when power was removed.

When used without ProBus interface, the instrument can be set to factory default settings by pressing the V_{COMP} and V_{DIFF} buttons simultaneously.

Gain	X1
Attenuation	$\div 10$
+ Input Coupling	Off
- Input Coupling	Off
Bandwidth Limit	Full
PVG Voltage	+00.000 V
V_{COMP}	Off
V_{DIFF}	Off
Input Resistance	1 M Ω
PVG Mode	Roll through zero

Table 4. Factory Default Settings

Sensitivity, Position and Offset

Oscilloscopes are designed to maintain their accuracy for that portion of a signal that is displayed on-screen. When the signal is large enough to drive the display off-screen, the oscilloscope's amplifier must limit the signal in a non-linear mode. Oscilloscopes are designed so that no matter how the sensitivity, position and offset controls are set, the operator cannot view this distorted portion of the signal.

When used with a Teledyne LeCroy oscilloscope, the setup is automatic to prevent you from entering a mode which could result in displaying a distorted signal resulting from overload.

When used with instruments lacking ProBus interface, the instrument's gain and position controls should be properly set to avoid displaying the non-linear portion of the DA1855A's output signal when it is in overdrive. This can be accomplished by observing the following rules:

- **Turn the oscilloscope input coupling to "OFF" or "GND", set the oscilloscope position control to center screen, and do not change it!** If the oscilloscope has an OFFSET control, it too should be set to zero. Return the oscilloscope's input coupling to "DC". Subsequently adjust the trace position on the oscilloscope screen using the DA1855A PVG and V_{DIFF} mode or V_{COMP} input. This assures that the oscilloscope is set to the center of the DA1855A's dynamic range.
- **Set the oscilloscope deflection factor to no greater than 100mV/div.** The most useful range for the oscilloscope deflection factors will be between 1mV/div and 100mV/div. Using a scale factor of 200 mV/Div will allow the nonlinear portion of the DA1855A's output to be viewed on screen.

DA1855A Differential Amplifier

More sensitive settings (e.g. $100\mu\text{V}/\text{div}$) available on some oscilloscopes can be used, but their usefulness may be limited by noise, particularly with the DA1855A FULL bandwidth limit selection and without averaging. With the oscilloscope set to $100\mu\text{V}/\text{div}$ and the DA1855A in the X10 GAIN mode, the overall scale factor will be $10\mu\text{V}/\text{div}$.

In the X10 GAIN mode, the DA1855A has lower noise than many oscilloscopes, so it is preferable to use the /DA1855A X10 GAIN mode and a lower oscilloscope scale factor. For example, to obtain the best noise performance at $1\text{mV}/\text{div}$, set the DA1855A to X10 mode and the oscilloscope to $10\text{mV}/\text{div}$ rather than the use X1 mode and $1\text{mV}/\text{div}$. This also maximizes the bandwidth, as some oscilloscopes give up some bandwidth at their most sensitive settings. Some oscilloscopes give up bits of resolution to obtain 1mV or $2\text{mV}/\text{div}$ sensitivity. The loss of resolution can be avoided by using this technique. Any oscilloscope bandwidth limit setting may be used so long as the unlimited signal does not exceed full screen before invoking bandwidth limit.

Probes and Differential Amplifiers

When using a differential amplifier it is very important to understand the role probes play in the overall measurement system performance. Probes not only make attachment to the circuit under test more convenient, $\div 10$ and $\div 100$ attenuating probes also extend the common mode range of the differential amplifier. For example, the DA1855A amplifiers have a common mode range of ± 15.5 volts when their internal attenuators are set to $\div 1$ and 155 volts when set to $\div 10$. The addition of a probe with an attenuation factor of ten will extend the common mode range to 1550 volts or the rating of the probe, whichever is less.

There is a trade-off, however. The Common Mode Rejection Ratio (CMRR) capability of even highly matched differential probe pairs is seldom as good that of the amplifier. In order to preserve as much of the amplifier's performance as possible at the probe tips, it is important to use probes that are designed for differential performance. Attempting to use normal $\div 10$ or $\div 100$ attenuating oscilloscope probes, even high quality probes, will result in very poor CMRR performance. Nominally matching $\div 1$ probes however, will provide excellent common mode rejection and are recommended.

For applications which do not require additional attenuation, $\div 1$ probes present relative high capacitive loading to the circuit under test, limiting their usefulness to low frequency measurements.

When making differential measurements, accurate probe compensation is much more important than in single-ended measurements. Most probes depend on the accuracy of the oscilloscope's $1\text{M}\Omega$ input resistor to determine the accuracy of the probe's attenuation factor. Two probes with a 1% accuracy specification can yield a CMRR as low as 50 to 1 at DC while the amplifier CMRR may be higher than 100,000 to 1. At high frequencies, the CMRR will be worse.

A differential probe pair must allow for matching at DC as well as over their useful frequency range. Changing the compensation of a differentially matched probe set without following the proper

compensation procedure can result in a significant decrease in the CMRR capability of any differential probe pair.

It is a good practice to compensate a probe pair for a given amplifier and then leave the probe pair and amplifier together as a system. Similarly, it is important that, once compensated for given amplifier, each probe always be used on the same input (one probe always on the +INPUT and the other always on the -INPUT).

DXC100A Differential Probe Pair

The DXC100A is a high performance matched passive differential probe pair designed for use with Teledyne LeCroy DA1855A series differential amplifiers. The probe pair consists of two well matched individual probes that share a common compensation box to allow the attenuation factor on both probes to be simultaneously switched between $\div 10$ and $\div 100$. When used with the DA1855A Differential Amplifier, the probe's attenuation factor is automatically incorporated into the effective gain display and the decimal properly located in the Precision Voltage Generator (PVG) display.

Probe Grounding

The DXC100A Probe Pair is supplied with accessories that allow for three methods of connecting probe grounds.

In most cases, when the common mode portion of the signal consists mainly of low frequencies (1 MHz and below), the probe ground leads should not be connected to the ground of the circuit under test. They should be connected to each other. This minimizes the effects of ground loop currents. The signal corruption caused by not having the probes connected to the ground of the circuit under test will be common to both inputs and will be rejected by the differential amplifier.

However, when working in an environment with high RF ambient noise, it is best to connect the probe ground leads to a good RF ground near the point where the signal is being measured.

The best way to determine which probe grounding technique should be used is to try both methods and use the one that gives the least corruption of the differential signal.

When adjusting the compensation and probe CMRR, the use of probe tip to BNC adapters is required. They provide the best performance of the three grounding method.

General Operating Information

This section will help you become familiar with the operation of the DA1855A and how it interfaces with an oscilloscope. To carry out the following exercises, you will need an oscilloscope and a general purpose function generator.

Power Connection

Check to make sure the power switch located on the rear panel is in the OFF position. Connect the power cable to an appropriate power source. The DA1855A will operate on a 50 or 60 Hz AC power source with a nominal voltage range from 100 V to 240 V.

Comparator Mode

The DA1855 becomes a differential comparator when the internal Precision Voltage generator (PVG) output is selected as the amplifier's inverting (–) input. The – Input is disconnected from the amplifier and does not serve any purpose in the V_{COMP} mode. In this mode the DA1855A can be used to very accurately measure relatively small signals riding on large DC components.

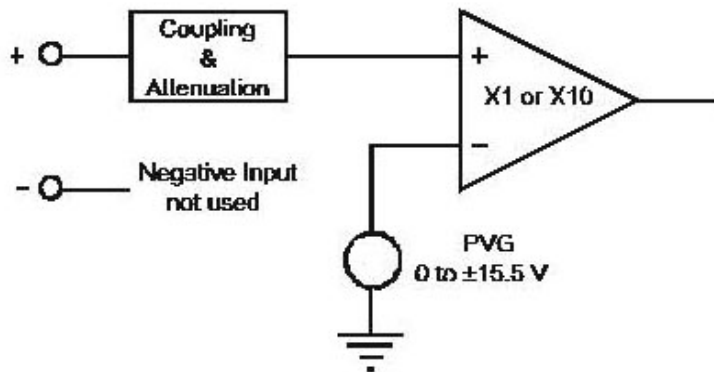


Figure 1, Block Diagram V_{COMP} Mode

Differential Mode

The DA1855A built-in Precision Voltage Generator can be used to generate a true differential offset while still allowing both inputs to be used as differential inputs. This mode facilitates making measurements such as changes to a transistor's base to emitter voltage caused by variations in temperature. Used in this mode, the voltage generator can be set to a value that will zero out the static value of the junction's ON voltage. The DA1855A's differential measurement capability will reject any dynamic signal common to both sides of the junction and the oscilloscope is left to measure only the changes in the junction voltage.

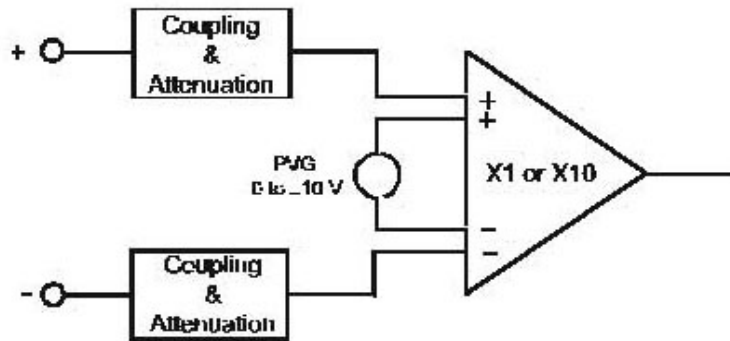


Figure 2, Block Diagram V_{DIFF} Mode.

Setting Up the Oscilloscope with ProBus Interface

Connect the RJ-45 type connector of the ProBus interface cable to the REMOTE connector and one end of the BNC cable to the AMPLIFIER OUTPUT on the rear panel of the DA1855A and the other end of the BNC cable to the ProBus connector. Connect the ProBus connector to any vertical channel and, if necessary, press the Front Panel channel button to turn on the channel.

Switch the power switch located on the DA1855A's rear panel to ON and observe the front panel indicators. Initially, each indicator light will be ON and the red OVERLOAD indicator will be ON as well. All segments in the Precision Voltage Generator display will be ON. The +INPUT and -INPUT Coupling Indicators will switch to OFF while the amplifier performs the Auto Zero function and back to the original setting. After approximately 3 seconds from turn on, the DA1855A will return to the settings in effect when the power was last turned off. The oscilloscope's input impedance has been set to $50\ \Omega$ automatically through the ProBus interface, the trace has been centered and all DA1855A front panel controls are locked out.

DA1855A Differential Amplifier

Make these settings:

PVG Mode	OFF
+Coupling	DC
-Coupling	Grounded (OFF)
DA1855A (Atten/Gain)	Auto
List Select: Upper BWL	Full BWL
List Select: Gain	X1
List Select: Atten	÷10
List Select: Input R	1 MΩ

Attenuator and Gain Operation

Connect the function generator output to the +INPUT BNC connector and apply a sine wave of 50 kHz and 1.0 V_{p-p} amplitude. If necessary, set the oscilloscope scale factor to 0.50 V/div. The signal on the oscilloscope should be 2 divisions peak to peak. Adjust the oscilloscope's time per division and trigger to display at least two complete cycles of the waveform.

Set the DA1855A Atten/Gain to Manual. In the List Select menu, select Atten and in the Value menu select /1. The waveform's magnitude on the oscilloscope's display will increase by a factor of 10, to 50 mV/div, the waveform will extend and extend off the top and bottom of the screen. The X1 light will be lighted in the EFFECTIVE GAIN front panel display. Reduce the function generator's output until the oscilloscope's display is again 2 divisions peak to peak.

Set the gain to X10. Observe the following changes: The +INPUT's DC light will momentarily go out and its OFF light will be lighted before returning to their previous states. This momentary change is the result of the DA1855A automatically adjusting its DC Balance. The X10 light will be lighted in the EFFECTIVE GAIN display and the display on the oscilloscope will again extend off screen. The overall sensitivity of the DA1855A and the oscilloscope is now 5mV/div.

Comparison Voltage Operation (V_{COMP})

Set the DA1855A as follows:

PVG Mode	OFF
+Coupling	DC
-Coupling	Grounded (OFF)
DA1855A (Atten/Gain)	Manual
List Select: Upper BWL	FULL BWL
List Select: Gain	X10
List Select: Atten	÷1
List Select: Input R 1	M Ω

Set the Function generator's output to 50 kHz and 100 mVp-p sine wave and the output connected to the DA1855's +INPUT.

Set the oscilloscope to 5 mV/div. Under these conditions, the display on the oscilloscope will extend off the top and bottom of the screen.

In the PVG Mode menu switch to V_{COMP} . This internally applies the Precision Voltage Generator's output to the -INPUT. The OFF light on the DA1855A's front panel goes out and the -Coupling menu on the user interface disappears (the -INPUT connector is disabled).

The positive and negative peaks of the waveform displayed on the oscilloscope are (respectively) 10 divisions above and below the display center line. Rotate the OFFSET knob on the oscilloscope until the positive peak of the waveform appears in the oscilloscope's display. Continue adjusting the OFFSET knob until the peak of the waveform is at the centerline of the oscilloscope's display. The number in the Precision Voltage Generator display is the waveform's positive peak voltage.

Rotate the OFFSET knob clockwise until the negative peak of the signal is now at or near the oscilloscope's display centerline. By adjusting the OFFSET knob, the negative peak can be positioned to the oscilloscope's display centerline. Now the number in the Precision Voltage Generator's display is the waveform's negative peak voltage.

Change the oscilloscope's sensitivity from 5 mV/div to 1 mV/div. Select Auto Zero in the List Select menu and push the button next to Auto Zero window to cause the DA1855A to adjust its DC balance.

Change the OFFSET control to again place the negative peak of the waveform at the oscilloscope's center screen. Note that the Precision Voltage Generator's display represents the negative peak voltage of the waveform with greater resolution.

Return the oscilloscope's sensitivity to 50 mV/div and select OFF or in the PVG Menu. The Precision Voltage Generator will retain its setting and the display on the oscilloscope will be centered about

DA1855A Differential Amplifier

the centerline. Following are a few observations on using the DA1855A comparison voltage mode (V_{COMP}):

- The negative input and its AC, OFF and DC coupling are disabled. Instead of being a differential amplifier, the DA1855A becomes a differential comparator. It compares the voltage present at the +INPUT with the output of the Precision Voltage Generator and when they are equal, the output of the DA1855A is zero volts.
- The value displayed by the Precision Voltage Generator indicates a waveform's voltage, with respect to ground, as it passes through the oscilloscope display's centerline. By using the DA1855A in the comparison voltage mode and the oscilloscope in a high sensitivity setting, highly accurate voltage measurements can be made.

Differential Offset Operation (V_{DIFF})

Set the DA1855A up as follows through the oscilloscope user interface:

PVG Mode	V_{COMP}
+Coupling	DC
DA1855A (Atten/Gain)	Manual
List Select: Upper BWL	FULL BWL
List Select: Gain	X10
List Select: Atten	$\div 1$
List Select Input R	1 M Ω

Leaving the OFFSET control set as in the previous example, the DA1855A front panel indicators should be lit as follows:

+INPUT	DC
-INPUT	V_{COMP}
BW LIMIT	FULL
GAIN	X10
ATTENUATOR \div	$\div 1$
INPUT RESISTANCE	1 M Ω
PVG	+0.0500
COMPARISON or DIFFERENTIAL	COMPARISON
EFFECTIVE GAIN	X10

Set the Function generator's output to 50 kHz and 100 mVp-p sine wave and the output connected to the DA1855's +INPUT.

Set the oscilloscope to 5 mV/div and time/div adjusted to display 2 to 3 cycles.

Externally trigger the oscilloscope by connecting a cable from the function generator's output (same signal as is applied to the DA1855A's +INPUT) or from the Trigger Signal out on the oscilloscope.

Under these conditions, the negative peak of the display on the oscilloscope should be very near center screen. Adjust the OFFSET knob on the oscilloscope until the negative peak is at center screen.

Select V_{DIFF} in the PVG Mode window. This internally applies the output of the Precision Voltage Generator to a point within the DA1855A's amplifier that facilitates a true differential offset. The V_{COMP} light went out and the OFF light was lighted. In the line under the Precision Voltage Generator display (COMPARISON or DIFFERENTIAL OFFSET), the COMPARISON light went out and the DIFFERENTIAL light was lighted. This indicates that the Precision Voltage Generator will now be applied as a differential offset rather than as a comparison voltage as in the previous exercise. Both the +INPUT and the -INPUT inputs are now enabled, even though the -INPUT OFF light is still ON.

The positive and negative peaks of the waveform displayed on the oscilloscope are (respectively) 10 divisions above and below the display center line. Rotate the OFFSET knob above the VOLTS/DIV knob on the oscilloscope until the positive peak of the waveform appears in the oscilloscope's display. Continue adjusting the oscilloscope's OFFSET knob until the peak of the waveform is at the centerline of the oscilloscope's display. The number in the Precision Voltage Generator display is the waveform's positive peak voltage.

Rotate the OFFSET knob clockwise until the negative peak of the signal is now at or near the oscilloscope's display centerline. By adjusting the OFFSET knob, the negative peak can be positioned to the oscilloscope's display centerline. Now the number in the Precision Voltage Generator's display is the waveform's negative peak voltage.

Change the oscilloscope's sensitivity from 5 mV/div to 1 mV/div. Select Auto Zero in the List Select menu and push the button next to Auto Zero window to cause the DA1855A to adjust its DC balance.

Change the OFFSET control to again place the negative peak of the waveform at the oscilloscope's center screen. Note that the Precision Voltage Generator's display represents the negative peak voltage of the waveform with greater resolution.

Return the oscilloscope's sensitivity to 50mV/div and select OFF in the PVG Menu. The Precision Voltage Generator will retain its setting and the display on the oscilloscope will be centered about the centerline.

DA1855A Differential Amplifier

Following are a few observations on using the differential offset mode (V_{DIFF}) of the DA1855A:

- Both the positive and negative inputs (AC, OFF and DC) are enabled and the DA1855A remains a true differential amplifier.
- The value displayed by the Precision Voltage Generator indicates a waveform's differential voltage, with respect to the $-INPUT$, as it passes through the oscilloscope display's center line.
- By using the DA1855A in the differential offset mode and the oscilloscope in a high sensitivity setting, high resolution voltage measurements can be made.
- The Precision Voltage Generator can be used as a position control which allows the DA1855A to operate in its most linear region.

Setting up the Oscilloscope without ProBus Interface

Connect a 50 Ω coaxial cable between the AMPLIFIER OUTPUT BNC on the DA1855A rear panel and the oscilloscope's input connector. If the oscilloscope has 1 M Ω and 50 Ω input capability, select 50 Ω . If the oscilloscope has only a 1 M Ω input, terminate the coaxial cable at the oscilloscope's input with a 50 Ω feed through terminator. It is important that the DA1855A be terminated by 50 Ω .

Set the oscilloscope vertical scale factor to 50mV/div. Set the oscilloscope's input coupling to GND or OFF and position the trace to center screen. **Do not move the oscilloscope position setting after this initial set-up.** Change the oscilloscope input coupling to DC.

Change the power switch located on the DA1855A's rear panel to 1 (ON) and observe the DA1855A's front panel indicators. Initially, each indicator light will be ON and the red OVERLOAD indicator will be ON as well. All segments in the Precision Voltage Generator display will be ON. After approximately 3 seconds, the DA1855A will return to the settings in effect when the power was last turned off.

Set the DA1855A as follows:

+INPUT	DC
-INPUT	OFF
BW LIMIT	FULL
GAIN	X1
ATTENUATOR	$\div 10$
INPUT RESISTANCE	1 M Ω
PVG	+00.000
COMPARISON or DIFFERENTIAL	COMPARISON
EFFECTIVE GAIN	$\div 10$

Attenuator and Gain Operation

Connect the function generator output to the +INPUT BNC connector and apply a sine wave of 50 kHz and 1.0 Vp-p amplitude. The signal on the oscilloscope should be 2 divisions peak to peak amplitude. Adjust the oscilloscope's time per division and trigger to display at least two complete cycles of the waveform.

Press the $\div 1$ ATTENUATOR button on non-ProBus operated systems or selecting Atten in the List Select menu and setting the attenuation to /1 in systems with ProBus interface. The waveform's magnitude on the oscilloscope's display will increase by a factor of 10 and extend off the top and bottom of the screen.

The X1 light will be lighted in the EFFECTIVE GAIN display. Reduce the function generator's output until the oscilloscope's display is again 2 divisions peak to peak. The overall sensitivity of the DA1855A and the oscilloscope is now 50 mV/div.

Now press the X10 GAIN button. Observe the following changes: The +INPUT's DC light will momentarily go out and its OFF light will be lighted before returning to their previous states. This momentary change is the result of the DA1855A automatically adjusting its DC Balance. The X10 light will be lighted in the EFFECTIVE GAIN display and the display on the oscilloscope will again extend off screen. The overall sensitivity of the DA1855A and the oscilloscope is now 5 mV/div.

Comparison Voltage Operation (V_{COMP})

Leave the DA1855A set up as in the previous exercise or set as follows:

+INPUT	DC
-INPUT	OFF
BW LIMIT	FULL
GAIN	X10
ATTENUATOR \div	$\div 1$
INPUT RESISTANCE	1M Ω
PVG	+00.00
COMPARISON or DIFFERENTIAL	COMPARISON
EFFECTIVE GAIN	X10

Set the Function generator's output to 50 kHz and 100 mVp-p sine wave and the output connected to the DA1855's +INPUT.

Set the oscilloscope to 50 mV/div (equivalent to 5 mV/div with DA1855A set at X10 GAIN) and time/div adjusted for 2 to 3 cycles.

Under these conditions, the display on the oscilloscope will extend off the top and bottom of the screen.

DA1855A Differential Amplifier

Press the $-INPUT$'s V_{COMP} button. This internally applies the Precision Voltage Generator's output to the DA1855A's $-INPUT$ and the OFF light goes out (the $-INPUT$ connector is disabled).

The positive and negative peaks of the waveform displayed on the oscilloscope are (respectively) 10 divisions above and below the display center line. Push the button above the digit that is two places right of the decimal (10 mV) in the Precision Voltage Generator (PVG) until the positive peak of the waveform appears in the oscilloscope's display. Continue incrementing and decrementing Precision Voltage Generator's digits until the peak of the waveform is at the centerline of the oscilloscope's display. The number in the Precision Voltage Generator display is the waveform's positive peak voltage.

Press the \pm button in the Precision Voltage Generator. Observe that the negative peak of the signal is now at or near the oscilloscope's display centerline. By incrementing and decrementing the digits, the negative peak can be positioned to the oscilloscope's display centerline. At this point the number in the Precision Voltage Generator's display is the waveform's negative peak voltage.

Change the oscilloscope's sensitivity from 50mV/div to 10mV/div. Overall sensitivity, including the DA1855A, is now 1mV/div. Temporarily change the oscilloscope's input coupling from DC to GND (or OFF) and re-center the trace to center screen using the oscilloscope's position control. Return its input coupling to DC. Now press the X10 button on the DA1855A to invoke its auto zero function. (Note that pressing the gain button that is already selected causes the DA1855A to adjust its DC balance, but does not change its gain.)

Change the Precision Voltage Generator's reading to again place the negative peak of the waveform at the oscilloscope's center screen. Note that the Precision Voltage Generator's display represents the negative peak voltage of the waveform with greater resolution.

Return the oscilloscope's sensitivity to 50 mV/div and press the DA1855A's $-INPUT$ OFF (or AC or DC) button. The Precision Voltage Generator will retain its setting and the display on the oscilloscope will be centered about the centerline. Press the V_{COMP} button on the $-INPUT$ again and observe that the Precision Voltage Generator's output is again connected to the $-INPUT$ of the DA1855A.

Following are a few observations on using the DA1855A comparison voltage mode (V_{COMP}):

- The negative input and its AC, OFF and DC coupling are disabled. Instead of being a differential amplifier, the DA1855A becomes a differential comparator. It compares the voltage present at the $+INPUT$ with the output of the Precision Voltage Generator and when they are equal, the output of the DA1855A is zero volts.
- The value displayed by the Precision Voltage Generator indicates a waveform's voltage, with respect to ground, as it passes through the oscilloscope display's centerline. It is very important that the oscilloscope's trace be positioned to center screen if an accurate measurement is to be made using this method.

- By using the DA1855A in the comparison voltage mode and the oscilloscope in a high sensitivity setting, highly accurate voltage measurements can be made.
- The Precision Voltage Generator can be used as a position control which allows the DA1855A to operate in its linear region.

Differential Offset Operation (V_{DIFF})

Leave the DA1855A set up as in the previous exercise or set it up as follows:

+INPUT	DC
-INPUT	V_{COMP}
BW LIMIT	FULL
GAIN	X10
ATTENUATOR ÷	÷1
INPUT RESISTANCE	1 M Ω
PVG	+0.0500
COMPARISON or DIFFERENTIAL	COMPARISON
EFFECTIVE GAIN	X10

Set the Function generator's output to 50 kHz and 100 mVp-p sine wave and the output connected to the DA1855A's +INPUT.

Set the oscilloscope to 50 mV/div (equivalent to 5 mV/div with DA1855A set at X10 GAIN) and time/div adjusted for 2 to 3 cycles.

Externally trigger the oscilloscope by connecting a cable from the function generator's output (same signal as is applied to the DA1855A's +INPUT) or from the Trigger Signal out on the Function generator to the External trigger input of the oscilloscope.

Under these conditions, the negative peak of the display on the oscilloscope should be very near center screen. Adjust the value in the Precision Voltage Generator until the negative peak is at center screen.

Press the VDIFF button. This internally applies the output of the Precision Voltage Generator to a point within the DA1855A's amplifier that facilitates a true differential offset. The VCOMP light went out and the OFF light was lighted. In the line under the Precision Voltage Generator display (COMPARISON or DIFFERENTIAL OFFSET), the COMPARISON light went out and the DIFFERENTIAL light was lighted. This indicates that the Precision Voltage Generator will now be applied as a differential offset rather than as a comparison voltage as in the previous exercise. Both the +INPUT and the -INPUT inputs are now enabled.

The positive and negative peaks of the waveform displayed on the oscilloscope are 10 divisions above and below (respectively) the center line of the display. Push the button above the digit that is

DA1855A Differential Amplifier

two places right of the decimal (10mV) in the Precision Voltage Generator until the positive peak of the waveform appears in the oscilloscope's display. Continue incrementing and decrementing the digits in the Precision Voltage Generator until the peak of the waveform is at the center line of the oscilloscope's display. The number in the Precision Voltage Generator display is the value of the waveform's positive peak voltage.

Press the \pm button in the Precision Voltage Generator. Observe that the negative peak of the signal is now at or near the oscilloscope display's center line. By incrementing and decrementing the digits, the negative peak can be positioned to the oscilloscope display's center line. Now the number in the Precision Voltage Generator's display is the value of the waveform's negative peak voltage.

Change the oscilloscope's sensitivity from 50 mV/div to 10 mV/div. Overall sensitivity, including the DA1855A, is now 1 mV/div. Temporarily change the oscilloscope's input coupling from DC to GND (or OFF) and re-center the trace to center screen using the oscilloscope's position control. Return its input coupling to DC. Now press the X10 button on the DA1855A to invoke its Auto balance function. (Note that pressing the gain button that is already selected causes the DA1855A to adjust its DC balance, but does not change its gain.)

Change the Precision Voltage Generator's reading to again place the negative peak of the waveform at the oscilloscope's centerline. Note that the Precision Voltage Generator's display more accurately represents the negative peak voltage of the waveform.

Return the oscilloscope's sensitivity to 50 mV/div and again press the DA1855A's V_{DIFF} button. The V_{DIFF} light will go out and the display on the oscilloscope will be centered about the center line.

Notice that the PVG retains its setting, but the output of the PVG is not applied to the amplifier. Press the V_{DIFF} button again and observe that the Precision Voltage Generator's output is reapplied internally to the DA1855A amplifier.

Following are a few observations on using the differential offset mode (V_{DIFF}) of the DA1855A:

- Both the positive and negative inputs (AC, OFF and DC) are enabled and the DA1855A remains a true differential amplifier.
- The value displayed by the Precision Voltage Generator indicates a waveform's differential voltage, with respect to the $-INPUT$, as it passes through the oscilloscope display's center line. It is very important that the oscilloscope's trace be positioned to center screen if an accurate measurement is to be made using this method.

- By using the DA1855A in the differential offset mode and the oscilloscope in a high sensitivity setting, high resolution voltage measurements can be made. The –INPUT is the reference for these measurements.
- The Precision Voltage Generator can be used as a position control which allows the DA1855A to operate in its most linear region.

Determining the Proper Offset Mode

The operation of the Comparison (V_{COMP}) and Differential Offset modes (V_{DIFF}) are quite similar. The Comparison mode is easier to understand and has a wider range, 15.5 Volt vs. 10.0 Volt. The Differential Offset mode provides offset operation while allowing the DA1855A to function as a true differential amplifier.

For most applications, the Differential Offset (V_{DIFF}) mode has advantages over the Comparison (V_{COMP}) mode. When using the Comparison mode, the Precision Voltage Generator's output is subtracted from the +INPUT. Except for the PVG's offset, operation is the same as a standard single-ended oscilloscope...only one DA1855A input is available. In the Differential Offset mode, the DA1855A functions as a differential amplifier...both

+INPUT and –INPUT function. This allows the operator to choose a measurement reference point other than ground. Even in ground referenced measurements, signal degradation can be reduced by using the –INPUT probe to select a ground reference point with the least noise. This method is especially useful in eliminating hum and noise from ground loops.

There is one instance in which the Differential Offset (V_{DIFF}) mode might result in more noise. Magnetic pick-up is proportional to the area between the probes. If twisting the probe leads together is not sufficient to reduce magnetic pick-up, the Comparison Offset (V_{COMP}) mode may be preferable.

The Differential Offset (VDIFF) mode is usually the mode of choice if the wider range or higher accuracy of the Comparison (VCOMP) mode is not needed.

Avoiding Common Problems

There are a few situations the operator of either the DA1855A should be aware of to avoid some potential measurement traps.

Exceeding the Common Mode Range

The DA1855A Differential Amplifiers have the largest common mode range available for this type of amplifier and are very good at measuring small differences between two large signals. However, care still must be taken not to allow a large common mode signal to exceed the available common mode range.

Unlike the differential mode signal, which is viewed on the oscilloscope, the common mode signal is normally rejected. Thus, you may not notice exceeding the common mode signal range.

DA1855A Differential Amplifier

The maximum common mode range is ± 15.5 Volt when a signal is applied directly ($\div 1$ ATTENUATOR and no probes) to the DA1855A's + and – INPUTs.

Attenuating the input signal extends the common mode range by the same factor as the attenuation. Pressing the $\div 10$ ATTENUATOR button increases the common mode range to ± 155 Volt, and using a probe with a $\div 10$ attenuation factor will too. The effect of the internal $\div 10$ ATTENUATOR and the attenuation factor of probes is multiplied just as the signal is attenuated. As an example, using the amplifier's $\div 10$

ATTENUATOR with a probe having a $\div 100$ attenuation factor (total attenuation of $\div 1000$) results in a common mode range of 15, 500 Volt. In this case, the probe's maximum voltage rating probably limits the maximum common mode input voltage.

The gain setting of the amplifier has no effect on common mode range; it is the same in X10 GAIN as it is in X1.

When making measurements on circuits that are power line referenced, be sure to use enough total attenuation to keep the peak voltage at the amplifier input below 15.5 Volt. The power line voltage in North America and Japan can exceed 170 Vp and therefore at least a total attenuation of $\div 100$ should be used. Line voltages in some other countries are larger but their peak voltages do not exceed the 1550 Volt common mode range that a $\div 100$ attenuation factor provides.

Using the Oscilloscope POSITION control

(DOES NOT APPLY WHEN USING A TELEDYNE LECROY OSCILLOSCOPE WITH PROBUS INTERFACE)

When operating the DA1855A with a scope, it is very important to set the oscilloscope's position and/or offset control to center screen, for several reasons.

First, the linear portion of the DA1855A's ± 500 mV output range is centered around zero volts. As the DA1855A begins to exceed its limits, the output signal will be distorted. Moving the oscilloscope's position control way from center screen can allow these distortions to appear on the oscilloscope's screen where they may be mistaken for part of the displayed signal.

Second, proper operation of the DA1855A's Precision Voltage Generator (PVG) depends on the operator knowing the location of zero volts on the display. The readout in the PVG is designed to display the voltage of the signal as it crosses the centerline of the oscilloscope screen. If the oscilloscope's position or offset control has been moved, incorrect readings could result.

Using scale factors greater than 100 mV/Div

(DOES NOT APPLY WHEN USING A TELEDYNE LECROY OSCILLOSCOPE WITH PROBUS INTERFACE)

"I know the input to the DA1855A is a sine wave, but I am seeing a square wave on the oscilloscope." This comment is the result of setting the oscilloscope Volt/Div to something greater than 100 mV/div. If the oscilloscope sensitivity is set to 200mV/div, the DA1855A will limit at $2\frac{1}{2}$ divisions above and below center screen (zero volt point if the oscilloscope's position control is

properly set). Thus, a sine wave large enough to overdrive the DA1855A will appear as a square wave on the oscilloscope.

The DA1855A is designed to cleanly limit the output signal to ± 500 mV. The DA1855A goes into limit when its output reaches ± 500 mV and is designed to recover very quickly once its input signal level decreases sufficiently to allow the amplifier to return to its linear range. The DA1855A will recover from overdrive to its full accuracy much more quickly than most oscilloscopes. Keeping the oscilloscope's position at center screen and using oscilloscope sensitivities between 100 mV/div and 2 mV/div (or the oscilloscope's most sensitive setting) will insure good signal integrity. When the displayed signal contains mostly low frequency components, the operator can use the oscilloscope's 100 mV/div setting to allow large signals to be completely shown on screen.

Failure to Terminate the Amplifier into 50 Ω

(DOES NOT APPLY WHEN USING A TELEDYNE LECROY OSCILLOSCOPE WITH PROBUS INTERFACE)
"All the signals displayed on my oscilloscope seem to be twice as large as they should be." This comment results from not having the output of the DA1855A properly terminated into 50 Ω . When interfaced using ProBus to a Teledyne LeCroy oscilloscope, you do not need to be concerned about the termination resistance, as the oscilloscope sets the termination mode automatically.

The DA1855A output impedance is 50 Ω . The cable connecting the DA1855A to the oscilloscope or spectrum analyzer should be 50 Ω and be terminated with a 50 Ω load. If the termination at the end of the connecting coaxial cable is missing, the amplifier will not be properly terminated.

In addition to the error in scale factor, operating the DA1855A with the output unterminated may result in poor high frequency, linearity and transient response. Proper operation of the 1 MHz and 20 MHz bandwidth limit filters also require 50 Ω termination.

Poor Overdrive Recovery

The DA1855A output is limited at ± 500 mVp-p to prevent the amplifier from being overdriven by large inputs. Poor recovery may still occur when the oscilloscope vertical scale is set to too high a sensitivity, causing the oscilloscope to be overdriven rather than the DA1855A amplifier. Care must be taken to set the vertical sensitivity such that the oscilloscope is not being overdriven.

Care and Maintenance

Cleaning

Clean only the exterior of the amplifier using a soft cloth moistened with water or isopropyl alcohol. Using abrasive agents, strong detergents or other solvents may damage the exterior of the amplifier.

Calibration Interval

The recommended calibration interval is one year. Adjustment should only be performed by qualified personnel. A Performance Verification procedure is included in this manual.

Service Strategy

Defective amplifiers must be returned to a LeCroy service facility for diagnosis and exchange. A defective amplifier under warranty will be replaced with a factory refurbished one. An amplifier that is not under warranty can be exchanged for a factory refurbished unit. A modest fee is charged for this service. A defective amplifier must be returned in order to receive credit for the amplifier core.

Calibration adjustments require the use of specialized signal sources which are not commercially available. Amplifiers which do not pass the performance verification must be returned to the factory for service.

Troubleshooting

If the amplifier is not operating properly the problem may be the way in which it is used. Before assuming the amplifier is defective, perform the Functional Test as described in the Performance Verification procedure.

Returns

See Returning a Product on page 85 for instructions on returning an amplifier for repair if you determine it is malfunctioning after performing the Functional Test procedure.

Applications

Introduction

Some parts of a power supply operation, such as saturation voltage, upper gate drive, loop response etc., have been difficult to perform without the proper accessories to expand the measurement capabilities of oscilloscopes. To obtain accurate voltage and current waveforms is a necessity before any waveform analysis can occur.

Voltage Measurements

A significant limitation in power supply characterization is that many of the signals of interest are referenced to voltages other than ground. Several techniques have been tried to overcome this measurement limitation.

The most frequently used — and probably the worst one — is floating the oscilloscope by disconnecting the ground wire in the power-line cable. This allows the chassis of the oscilloscope to float to the potential to which the probe ground lead is connected. The most obvious danger is electrical shock. When an oscilloscope is floated to hazardous voltages, accidental contact with any metal component of the oscilloscope chassis can seriously injure or even kill the operator.

Another problem when floating a scope is the inability to externally trigger the oscilloscope, or the waveform distortion that may occur when high slew rates appear on the ground lead. Another technique used for measuring voltages not referenced to ground is quasi-differential, or channel A minus Channel B. Even though this technique is safe, the oscilloscope is still grounded, it is still limited to measurements where the differential mode (signal of interest) is approximately the same amplitude or larger than the common mode signal (signal being rejected). A major problem however is the limited CMRR (Common Mode Rejection Ratio) caused by gain mismatches between the two input channels.

The best solution for measuring voltages that are not referenced to ground is to use a differential amplifier. The DA1855 is ideally suited for these measurements.

Measuring Current

Current can be measured either by using a shunt resistor or by using a current probe. Adding a shunt resistor requires cutting the current carrying conductor. Shunt resistors will add a resistance to the circuit that can affect the operation. It is difficult to obtain accurate resistors with low resistance and low inductance values necessary to measure large dynamic currents.

Current probes overcome these problems. Some models have a jaw that can be opened to install around conductors without the need to cut them. They come in two different types, AC and DC. The DC types can measure from DC to higher frequencies with relative flat frequency response. AC current probes have both a low frequency and a high frequency response. Many AC current probes

have a low frequency cut-off of 40 Hz or higher, eliminating the ability to measure power at line frequencies

Effects of Probes on Saturation Voltage Measurements

To measure switching's device saturation voltage while the device is operating in circuits requires the combination of several capabilities in the measurement system.

First because the measurements are not ground referenced, thus differential voltage measurements are needed. The amplifier must also be able to quickly recover from overdrive and the amplifier as well as the probes must have very low high frequency aberrations.

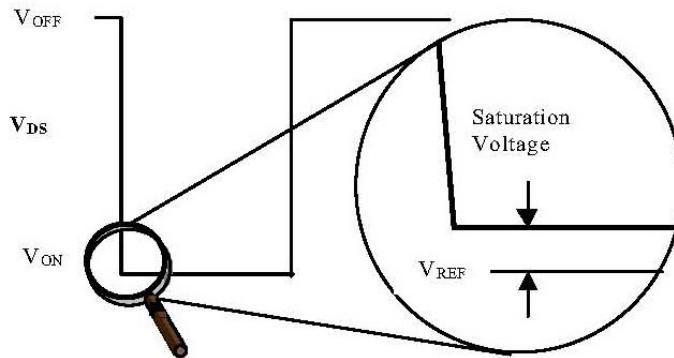


Figure 3, Saturation Voltage

The most obvious problem with this measurement is the signal's wide dynamic range. The voltage across the device can be several hundred Volt when the device is off and then drop to less than a Volt as the device turns on (Figure 3).

To measure the saturation voltage of a device to 100 mV accuracy when the OFF voltage is 400 Volt requires 250 ppm measurement capability. To accurately view the device's approximately 1 Volt ON-voltage with an oscilloscope, the vertical sensitivity must be set to 200 to 500 mV/div. Almost all of the signal will be off-screen. Also this voltage change occurs in a fraction of a microsecond. This means that the oscilloscope must be able to accurately display sub-1 Volt signal less than a microsecond after being overdriven by several hundred divisions. It is obvious that the oscilloscope input or an input preamplifier such as the DA1855A needs to recover and therefore that a probe with high frequency performance is required.

To overcome the overdrive problem is to use a specially designed fast clipping circuit to limit the magnitude of the signal at the oscilloscope's input to a value within the linear range and to turn ON and OFF fast enough so not to compromise the measurement integrity. Another solution is to use a differential pre-amplifier specifically designed to recover from being overdriven and to cleanly clip the signal so the oscilloscope is not overdriven. Of equal importance to the amplifier's overdrive

recovery performance is the oscilloscope or differential amplifier's probe performance. Probes play an important role in device ON voltage measurements. They attenuate the voltage's magnitude as well as provide a convenient way of connecting to the device under test. In addition to attenuating the input signal they also attenuate the rate of change of the oscilloscope or differential amplifier's input signal. A $\div 100$ passive probe will attenuate a 400 Volt signal with a dv/dt of 10 V/nsec to a 4 Volt signal with a dv/dt of 0.1 V/nsec. Less obvious is the effect of a probe's low frequency compensation adjustment on the measurement accuracy of device saturation voltage. Most oscilloscope users are familiar with the requirement of adjusting passive probes for low frequency compensation. Under normal usage, the entire waveform is on screen when a passive voltage probe's low frequency compensation is adjusted. A low frequency compensation made with the entire waveform visible on screen is usually adequate for most measurements.

However when a signal's amplitude is greatly magnified as can be the case when using a differential amplifier, a small error in the low frequency compensation flatness can cause major error in voltage measurements, especially when measuring saturation voltages.

Figure 4 through Figure 7 illustrate how this seemingly minor adjustment can make the saturation voltage's DC level appear to be incorrect.

A voltage probe appears to be properly compensated on a 400 V square wave when viewed at 100V/div.

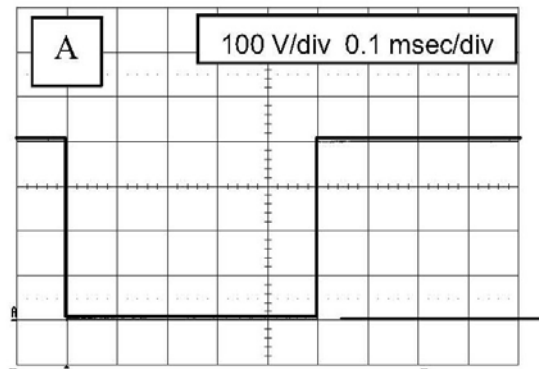


Figure 4

DA1855A Differential Amplifier

When viewed at 500 mV/div, the same 400 V square wave shows the probe compensation to be slightly over peaked.

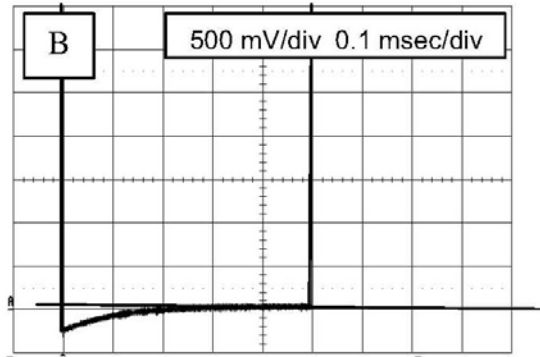


Figure 5

When the time/div is decreased to a value normally used to view 20 to 150 kHz switch mode power conversion circuits, the slightly peaked LF compensation appears as a DC level shift.

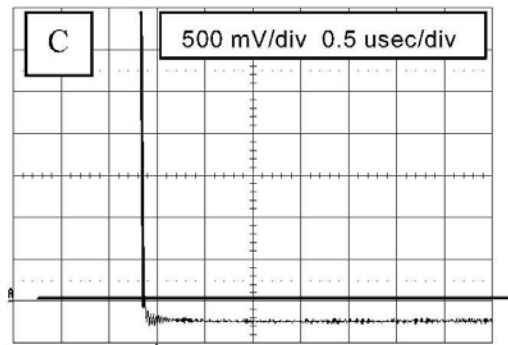


Figure 6

Viewing a power FET's saturation voltage with the slightly peaked LF compensation makes the voltage appear to go negative. In this example the repetition rate of the power supply is 60 kHz.

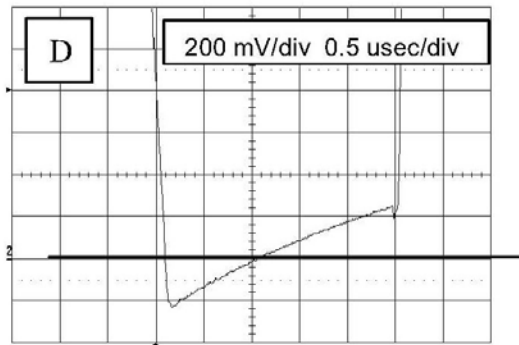


Figure 7

Saturation Voltage Measurement

To measure the saturation voltage of a power device in a flyback type switching power supply, connect the +INPUT probe to the drain and the -INPUT probe to the source of the switching device. There is no need to 'float' the oscilloscope. The probe connected to the -INPUT becomes the reference lead (same as black lead on a DMM). The DA1855A will reject the power line portion (common mode part) of the signal and allows us to see the actual signal of interest. Set the VOLTS/DIV to 50 mV/div and adjust the OFFSET to read 00.000 on the DA1855A front panel indicator. Press the Auto Zero button to auto balance the amplifier.

The start of the saturation voltage measures close to 0.0 Volt since the switching device is OFF and ramps up due to the increase in current through the primary of the transformer. If this starting point does not come close to the 0 Volt line, then it could indicate an incorrect low frequency adjustment of the probes.

Gate Drive Voltage

The main reason to measure the gate drive voltage is to assure rapid turn-on and turn-off and to assure that the transistor is fully saturated.

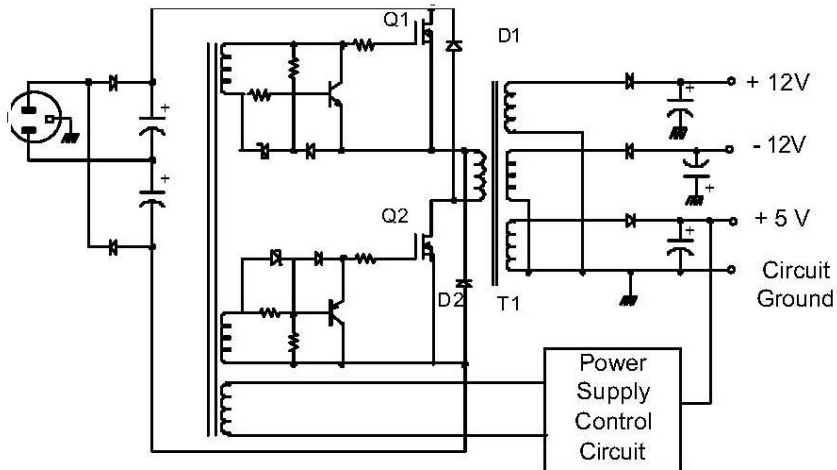


Figure 8, Switching Power Supply with Upper and Lower FET Drive.

Care must be taken when acquiring the switching's device gate drive signal. In off-line switching power supplies, the switching devices are elevated to line potential. The DA1855A is ideally suited for this application with its high CMRR.

The following discussion demonstrates how the DA1855A Differential Amplifier and a XC100 Differential Probe are used to make measurements such as upper gate drive signal on a switching power supply. A simplified schematic of such a flyback type power supply is shown in Figure 8. In this circuit both Q1 and Q2 are ON at the same time. D1 and D2 limit the voltage caused by the primary's leakage reactance to the rail voltages.

By using the DA1855A and the XC100 probe, the signal reference point can be changed to any point in the circuit. To select the source of Q2 as the reference point, connect the – INPUT probe to that point. To acquire the drain to source signal of Q2 place the +INPUT probe on the drain of Q2 and select DC coupling on both inputs. The amplifier will reject the power line portion (common mode) of the signal and allows us to see the drain to source signal. For this measurement, the XC100 is set to $\div 100$ and the DA1855A is set for $\div 10$ attenuation and a gain of X1. The total attenuation from probe tip to the oscilloscope is 1000.

Selecting the differential mode and setting the OFFSET to 245 Volt, will move the trace down about $2\frac{1}{2}$ divisions. This means that the drain voltage with respect to the source is 245 Volt when the top part crosses the oscilloscope's screen horizontal center line.

Rejecting the AC line voltage was no real challenge, but rejecting the drain to source signal is a real measure of system ability. The drain to source voltage rises over 245 Volt when the FET turns OFF. The maximum rate of rise of this signal is about 15 V/nsec followed by a ring at the bottom of the waveform. It will be necessary to adequately reject this signal if upper gate signal is to be measured accurately.

Upper and Lower Gate Drive

To examine the gate drive signal on the upper FET's Q1, the -INPUT probe will be connected to the source of Q1 and the +INPUT probe to the gate of Q1. The XC100 probes are set for an attenuation of $\div 100$ and the DA1855A for an attenuation of $\div 1$ and a gain of X1. The EFFECTIVE GAIN indicator should read an overall gain of $\div 100$. To make room for other traces, the OFFSET control on the oscilloscope was set to -5.0 Volt, moving the trace up one division.

The same procedure is repeated for Q2 gate drive where the OFFSET is set to +15 V to move the trace down by 3 divisions. By setting mVOLT/DIV to a more sensitive setting, small details of these signals can be examined.

Avoiding Measurement Errors

The math capabilities in modern digital oscilloscopes can save time and effort. Both scalar measurements and waveform math provide direct answers for measurements that used to require considerable computation and analysis. Common causes of erroneous results are:

- Errors in conditioning the input signal, such as clipping or bandwidth limiting.
- Limitation in the acquisition process, such as sample rate, resolution and record length.
- Limitation in the computational algorithms.

The most common source of error in power measurements results from the time delay (skew) between the voltage and current waveforms. The propagation delay through the current probe and the voltage probe plus differential amplifier are almost never equal. To eliminate resulting error in power waveforms, it is necessary to deskew the input signals. Some oscilloscopes have a deskew function that can be used to shift the time reference of one of the waveforms relative to the other.

Another error to be concerned with is the phase shift in the probes or instrument. As the rise time of the input signal approaches the rise time of the current probe or amplifier, the phase shift will create an amplitude error in the power waveform.

Remote Control Commands

When attached to a Teledyne LeCroy oscilloscope equipped with ProBus interface, the DA1855A Amplifier can be remotely controlled along with the other oscilloscope functions. The control interface can be either the RS-232 or IEEE-488 (GPIB) bus. The commands which control the amplifier are described below. The text for the command descriptions is formatted in a style consistent with the oscilloscope command descriptions contained in the Teledyne LeCroy Digital Oscilloscopes Remote Control Manual supplied with the oscilloscope. Please refer to this manual for additional information on the remote control buses and the conventions used in the command descriptions.

Many of the commands begin with the "PRx:" prefix, where "x" is the channel which the DA1855A amplifier is connected to. These commands are similar to the channel commands which use the prefix "Cx:". The difference being that the "PRx:" form refers to the probe tip, whereas the "Cx:" form refers to the oscilloscope input connector. For example, "PRx:VDIV" sets the Volts per division at the probe tip, while "Cx:VDIV" sets the Volts per division at the BNC input connector, without factoring the gain or attenuation factor of DA1855A amplifier and attached probes. The "PRx:" form of these commands are only active when the DA1855A amplifier is connected to the selected channel. An error will result when an DA1855A specific command is sent to the oscilloscope without a differential probe attached to the selected channel.

Command List

PRx:ATTENUATION	Selects the input attenuation of the amplifier.
PRx:AUTOZERO	Initiates an auto zero cycle in the amplifier.
PRx:BWL	Selects the upper bandwidth limit.
PRx:COUPLING	Selects the input coupling of the + and – inputs.
PRx:GAIN	Selects the gain of the amplifier
PRx:OFFSET	Selects the Precision Voltage Generator voltage.
PRx:PINPUTR	Selects the input resistance of both inputs.
PRx:PROBEATTENUATION?	Reports the attenuation of the passive probe attached to the amplifier
PRx:PVGMODE	Selects the Precision Voltage Generator Offset mode.
PRx:VDIV	Selects the vertical scale factor of the probe/amplifier/oscilloscope system.

Gain Control Mode

The DA1855A amplifiers have two modes for setting the amplifier gain and attenuation; Auto and Manual. (Refer to *Gain Control Modes* on page 47, Operation, for more information.) The gain control mode can be selected in the DA1855A control menu through the oscilloscope front panel, or through remote control by sending the commands which correspond to the gain mode.

Sending the `PRx:ATTEN` or `PRx:GAIN` commands will set the DA1855A amplifier to Manual gain control mode.

Sending the `PRx:VDIV` command will set the DA1855A amplifier to Auto gain control mode.

Attenuation

`PRx:ATTENUATION,PRx:ATTEN`

Command/Query

Description

The `PRx:ATTENUATION` command sets the attenuation of the differential amplifier, including the factor of any passive probe attached to the input. The command will also switch the Atten/ Gain control mode to Manual if it was to Auto mode. The valid arguments with no probe attached is 1 or 10 when the input resistance is set 1 M Ω , or only 1 when the input resistance is set to 100 M Ω . The valid arguments must be scaled by the attenuation factor of any passive probe which is attached to the amplifier.

The `PRx:ATTENUATION?` query returns the attenuation of the differential amplifier, including the attached probe connected to the specified channel.

Command Syntax

`<channel>:ATTenuation<attenuation>` `<channel>:={PR1, PR2, PR3, PR4}` `<channel>:={1,10*}` when input resistance is set to 1 M Ω or `{1*}` when the input resistance is set to 100 M Ω .

* Attenuation arguments must be scaled by the attenuation of any passive probe which is attached to the differential amplifier inputs.

Query Syntax

`<channel>:ATTenuation?`

Response Format

`<channel>:ATTN<attenuation>`

Example

The following command sets the attenuation of the differential amplifier connected to channel 1 to $\div 100$ when a $\div 10$ probe is attached:

```
CMD$="PR1:ATTN 100":CALL IBWRT(SCOPE%,CMD$)
```

Auto-Zero

PRx:AUTOZERO, PRx:AZ

Command

Description	<p>The PRx:AUTOZERO command initiates an auto zero cycle of the differential amplifier to remove any offset drift from the output.</p> <p>The amplifier inputs will be disabled for a fraction of a second during the autozero cycle.</p>
Command Syntax	<code><channel>:AutoZero <channel>:={PR1, PR2, PR3, PR4}</code>
Example	<p>The following command initiates an auto zero in the DA1855A Differential Probe attached to channel 1:</p> <pre>CMD\$="PR1:AZ":CALL IBWRT(SCOPE%,CMD\$)</pre>

Bandwidth Limit

PRx:BANDWIDTH_LIMIT, PRx:BWL

Command/Query

Description	<p>The PRx:BWL command sets the upper (HF) -3 dB bandwidth limits of the DA1855A. The arguments are in Hertz.</p> <p>The PRx:BWL? query returns the upper bandwidth limit setting for the differential amplifier connected to the specified channel.</p>
Command Syntax	<code><channel>:BWL<upper bandwidth> <channel>:={PR1, PR2, PR3, PR4}</code> <code><upper bandwidth>:={FULL, 100K, 1M or 20M}</code>
Query Syntax	<code><channel>:BWL?</code>
Response Format	<code><channel>:BWL <upper bandwidth></code>
Example	<p>The following command sets the upper bandwidth of the DA1855A connected to channel 1 to 100 kHz.</p> <pre>CMD\$="PR1:BWL 100K": CALL IBWRT(SCOPE%,CMD\$)</pre>

Coupling

PRx:COUPLING, PRx:CPL

Command/query

Description	<p>The PRx:COUPLING command sets the input coupling for the + and – inputs of the differential amplifier. The valid arguments are AC, Ground and DC.</p> <p>The PRx:COUPLING? query returns the input coupling setting of the + and – inputs of the differential amplifier connected to the specified channel.</p> <p>The – input coupling is ignored when PVG Mode is set to V_{COMP}. Likewise, the – input coupling argument is not returned from a query when PVG Mode is set to V_{COMP}.</p>
Command Syntax	<pre><channel>:CouPLing<+coupling> ,<-coupling> <channel>:={PR1, PR2, PR3, PR4} <+coupling>:={AC, DC or GND} <-coupling>:={AC, DC or GND} (ignored when PVG Mode is set to V_{COMP})</pre>
Query Syntax	<pre><channel>:CouPLing?</pre>
Response Format	<pre><channel>:CPL<+coupling>,<-coupling></pre>
Example	<p>The following command sets the + input coupling to DC and the – input coupling to ground for the differential amplifier connected to channel 2.</p> <pre>CMD\$="PR2:CPL DC,GND": CALL IBWRT(SCOPE%,CMD\$)</pre>

Gain

PRx:GAIN,PRx:GAI

Command/Query

Description

The PRx:GAIN command sets the differential amplifier gain. The command will also switch the Atten/Gain control mode to Manual if it was in Auto. The valid arguments are 1 and 10.

The PRx:GAIN? query returns the gain of the differential amplifier connected to the selected channel.

Command Syntax

<channel>:GAIN<gain> <channel>:={PR1, PR2, PR3, PR4} <gain>:={1, 10}

Query Syntax

<channel>:GAIN?

Response Format

<channel>:GAIN<gain>

Example

The following command sets the gain of the differential amplifier connected to channel 1 to X10:

```
CMD$="PR1:GAI 10": CALL IBWRT(SCOPE%,CMD$)
```


Offset

PRx:OFFSET, PRx:OFST

Command/Query

Description

The PRx:OFFSET command sets the Precision Voltage Generator (PVG) value of the DA1855A Differential Amplifier connected to the specified input channel. The oscilloscope channel offset is always set to 0 Volt.

The maximum range and resolution is determined by the effective gain of the differential amplifier. Refer to page 19, Table 2, Effective Offset Range with $\div 11$ Probe and Table 3, Effective Offset Range with $\div 100$ Probe for the list of available ranges.

Note: The attenuation of any external probe is factored into the effective gain. Changing or removing the probe from the differential amplifier may change the maximum range.

If an out-of-range value is entered, the differential amplifier will set the PVG to the closest valid value and the VAB bit (bit 2) in the STB register will be set.

The PRx:OFFSET? query returns the offset voltage of the differential probe connected to the specified channel.

Command Syntax

<channel>: OFFseT<voltage> <channel>:={PR1, PR2, PR3, PR4} <voltage>: = See Table 2, Effective Offset Range with $\div 11$ Probe and Table 3, Effective Offset Range with $\div 100$ Probe for valid ranges.

Query Syntax

<channel>:OFFseT?

Response Format

<channel>:OFST<voltage>

Example

The following command sets the PVG voltage of the differential amplifier connected to channel 1 to 6.38 Volt:

```
CMD$="PR1:OFST 6.38": CALL IBWRT(SCOPE%,CMD$)
```

Input-Resistance

PRx:PINPUTR,PRx:PINR

Command/Query

Description

The PRx:PINPUTR command sets the input resistance for both inputs of the differential amplifier. The valid arguments are 1M or 100M when the differential amplifier input attenuation is set to ÷1 and an attenuating probe is not being used. When an attenuating probe is attached to the differential amplifier, or the internal attenuation is set to ÷10, only 1M may be selected. The units of the arguments are Ohm.

The PRx:PINPUTR? query returns the input resistance setting for the differential amplifier connected to the specified channel.

Command Syntax

<channel>:PINputR<input resistance> <channel>:{PR1, PR2, PR3, PR4}

<input resistance>:={1M or 100M} when the internal attenuation is ÷1, without attenuating probe, or = {1M} when the internal attenuation is ÷10 or an attenuating probe is used.

Query Syntax <channel>:PINputR?

Response Format

<channel>:PINR<input resistance>

Example

The following command sets the input resistance of the differential amplifier connected to channel1 to 1 MΩ.

```
CMD$="PR1:PINR 1M":CALL IBWRT(SCOPE%,CMD$)
```

Probe Attenuation

PRx:PROBEATTENUATION?,PRxPATTN?

Query

Description The PRx:PROBEATTENUATION? query returns the attenuation value of the probe connected to the input of the DA1855A. Only probes which support probe code sensing will be correctly reported. Attenuation values of 1, 10, 100 or 1000 are sensed and can be reported. Probes which do not support probe code sensing will be reported having an attenuation of 1.

Query Syntax <channel>:PATTenuation?

Response Format <channel>:PATTN<attenuation> <channel>:={PR1, PR2, PR3, PR4}<attenuation>:={1, 10, 100, 1000}

Example The following query reads the attenuation of the probe connected to the differential amplifier which is connected to channel 1:

```
CMD$="PR1:PATTN?": CALL IBWRT(SCOPE%,CMD$): CALL
IBRD(SCOPE%<RSP$):PRINT RSP$
```

Response message with a ÷100 probe attached:

```
ATTN 100
```

Precision Voltage Generator

PRx:PVGMODE,PRx:PVGM

Command Query

Description The PRx:PVGMODE command sets the operating mode of the Precision Voltage Generator (PVG) of the differential amplifier. The valid arguments are V_{COMP}, V_{DIFF} and OFF.

The PRx:PVGMODE? query returns the operating mode of the Precision Voltage Generator (PVG) of the differential amplifier connected to the specified channel.

Command Syntax <channel>:PVGMODE<mode> <channel>:={PR1, PR2, PR3, PR4} <mode>:={V_{COMP}, V_{DIFF} OR OFF}

Query Syntax <channel>:PVGMODE?

Response Format <channel>:PVGM<mode>

Example The following command sets the PVG operating mode of the differential amplifier connected to channel 3 to V_{DIFF}:

```
CMD$="PR3:PVGM VDIFF":CALL IBWRT(SCOPE%<CMD$)
```

Volt / DIV

PRx:VOLT_DIV,PRx:VDIV

Command/Query

Description When used with the "PRx" argument for channel number, the VOLT/DIV command sets the vertical sensitivity at the probe tip. The effective gain of the differential amplifier, including any attenuating passive probes, is factored into the vertical sensitivity. The command will also set the Atten/Gain control mode to Auto if it was set to Manual mode.

The valid range of arguments is effected by the presence of an attenuating probe on the input. If an out-of-range value is entered, the oscilloscope will set the vertical sensitivity to the closest valid value and set the VAB bit (bit 2) in the STB register.

The PRx:VOLT_DIV? query returns the vertical sensitivity at the probe input of the specified channel.

Command Syntax <channel>:Volt_DIV<sensitivity> <channel>:={PR1, PR2, PR3, PR4} <sensitivity>:

See page 11, Operation, for valid arguments.

Query Syntax <channel>:Volt_DIV?

Response Format <channel>:VDIV <sensitivity>

Example The following command sets the vertical sensitivity at the probe tip of the differential amplifier connected to channel 3 to 2 Volt/ div:

```
CMD$="PR3:VDIV 2":CALL IBWRT(SCOPE%,CMD$)
```

Performance Verification

This procedure can be used to verify the warranted characteristics of the DA1855A Differential Amplifier.

The recommended calibration interval for this Differential Amplifiers is one year. The complete performance verification procedure should be performed as the first step of annual calibration. Test results can be recorded on a photocopy of the Test Record provided in Appendix A.

Performance verification can be completed without removing the instrument covers or exposing you to hazardous voltages. Adjustment should only be attempted if a parameter measured in the Performance Verification Procedure is outside of the specification limits.

Adjustment should only be performed by qualified personnel. Removing the covers from the instrument may alter critical compensation adjustments, requiring the instrument to be recalibrated. Re-establishing these adjustments requires the use of special calibration fixtures. Therefore, never remove the covers. The Adjustment Procedure is contained in the Service Manual.

Test Equipment Required

The following table lists the test equipment and accessories, or their equivalents, which are required for performance verification of the DA1855A.

This procedure has been developed to minimize the number of parameters required to be calibrated in the test instrumentation.

Only the parameters listed in **boldface** in the Minimum Requirements column must be calibrated to the accuracy indicated. Because the input and output connector types may vary on different brands and models of test instruments, additional adapters or cables may be required.

Table 5, List of required Equipment

Description	Minimum Requirements	Test Equipment Examples
Wide Band Oscilloscope	500 MHz bandwidth 2 mV - 200mv scale factors 1 ns - 10 μ s sweep speed 2% vertical accuracy 50 Ω termination	Teledyne LeCroy LT374 series oscilloscope
Digital Multimeter	DC: 0.01% accuracy AC: 0.2% accuracy to measure 200 mV and 2 V rms @ 1 kHz 6½ digit resolution	HP 34401A Fluke 8842A-09 Keithley 2001
Oscillator/Function Generator	Sine Wave output 20 Vp-p at 70 Hz	Stanford Research Model DS340 Hewlett Packard 33120A Leader LAG-120B
Leveled Sine Wave Generator	Relative output level accurate to 0.5 dB flatness from 1 – 100 MHz and 50 kHz. Output adjustable to 2 Vp-p	Tegam SG503 with TM series mainframe and 012-0482-00 output cable
Terminator, in-line, BNC	50 Ω \pm 2% coaxial termination	ITT Pomona 4119-50 AIM 27-9008
Terminator, precision, BNC	50 Ω \pm 0.05%	Teledyne LeCroy TERM-CF01
Attenuator, BNC	50 Ω \pm 2%, \div 10 (20 dB)	ITT Pomona 4108-20dB AIM 279300-20
BNC coaxial cable, (3 ea)	Male-male BNC, 50 Ω , 36"	ITT Pomona 5697-36
BNC coaxial cable, (2 ea)	Male-male BNC, 50 Ω , 4"-6"	Pasternack Enterprises PE3067-5
BNC 'Y' connector	Male to dual female, BNC	AIM 27-9294
BNC Tee connector	Male to dual female, BNC	AIM 27-8140 ITT Pomona 3285
BNC adapter	Female to female	AIM 25-7430 ITT Pomona 3283
Banana Plug adapter	BNC female to dual banana plug	ITT Pomona 1269

Preliminary Procedure

1. Connect the DA1855A Differential Amplifier to an AC power source within the range listed in the Nominal Characteristics in the Specification section.
2. Allow at least 20 minutes warm-up time for the DA1855A and test equipment before performing the Verification Procedure.
3. Turn on the other test equipment and allow these to warm up for the time recommended by the manufacturer.
4. While the instruments are reaching operating temperature, make a photocopy of the Performance Verification test record (located at the end of this section), and fill in the necessary data.

The warranted characteristics of the DA1855A Differential Amplifiers are valid at any temperature within the Environmental Characteristics listed in Specifications. However, some of the other test equipment used to verify the performance may have environmental limitations required to meet the accuracy requirements needed for the procedure. Be sure that the ambient conditions meet the requirements of all the test instruments used in the procedure.

NOTE: When the oscilloscope input is connected to the DA1855A AMPLIFIER OUTPUT, the oscilloscope input impedance must be set to DC 50 Ω unless otherwise stated. Use a 50 Ω inline termination when using an oscilloscope without an internal 50 Ω termination. Position the oscilloscope display to center screen. Unless otherwise noted, the oscilloscope position and offset must remain at zero for the duration of the verification procedure.

This procedure is written assuming local control of the DA1855A Differential Amplifier. When using a Teledyne LeCroy oscilloscope, do not use the ProBus cable.

Prior to performing the verification, set the DA1855A as follows:

GAIN	X1
ATTENUATOR	$\div 1$
INPUT RESISTANCE	1M
+INPUT	OFF
-INPUT	OFF
V_{COMP}	OFF
V_{DIFF}	OFF
BANDWIDTH LIMIT	FULL
PVG	ZERO
OFFSET	ZERO

Functional Check

The functional check will verify the basic operation of the Differential Amplifier functions.

It is recommended that the Functional Check be performed prior to the Performance Verification Procedure to assure that all other non-warranted functions perform as specified.

To perform the functional check:

- Select channel 1 of the oscilloscope and set the input coupling to DC 50 Ω , vertical scale to 100 mV/div, timebase to 10 μ sec/div and adjust the trace to screen center.
- Connect the output of the function generator with a BNC cable to channel 1 of the oscilloscope and set the output to square wave and the amplitude to 300 mV (3 div on screen).
- Remove the function generator output cable from the oscilloscope.

1. ProBus operation

- a. Connect the ProBus and the BNC cables to the output of the DA1855A and to channel 1 of the oscilloscope.
- b. Verify that channel 1 is selected and that the DA1855 is being recognized by showing DA1855A on the screen's menu.

2. Coupling

- a. Connect the 300 mV output voltage of the square wave generator to the **+INPUT** of the DA1855A.
- b. Verify that the trace is a single line centered on the screen.
- c. Press the **DC** button on the **+INPUT** of the DA1855A. and verify that the trace has moved either up or down depending on the polarity of the signal and that DC is highlighted on the screen's menu.
- d. Press the **AC** button on the **+INPUT** and verify that the input signal is centered on screen and AC is highlighted on the screen's menu.
- e. Disconnect the function generator's output signal from the **+INPUT** and connect it to the **-INPUT**.
- f. Verify the performance of steps 2-b through 2-d for the – input.

3. *Bandwidth Limiting*

- a. Press the **10 MHz** BW Limit button on the front panel of the DA1855A and verify that the slope of the trace's leading and trailing edge has decreased.
- b. Press the resp. **1 MHz** and **100 kHz** BW Limit buttons and verify that in each case that the slope of the leading and trailing edges decreases.
- c. Return to maximum bandwidth by pressing the **FULL** BW Limit button.

4. *X10 Gain and ÷10 Attenuator*

- a. Press the **÷10** attenuator button and verify that the signal on screen has reduced by about a factor of 10.
- b. Press the X10 Gain button and verify that the signal on screen is again about 3 division.
- c. Remove all cables, accessories and return all setting of the DA1855A as shown in the table in the Preliminary Procedure.

Verification Procedure

1. *Check X1 Gain Accuracy*

- a. Set the DA1855A **+INPUT** to **DC**.
- b. Connect the Sine Wave Generator output via a 50 Ω BNC coaxial cable and a standard 50 Ω termination to a female BNC to banana plug adapter.
- c. Set the DMM to measure AC Volts.
- d. Connect the banana plug adapter to the DMM.
- e. Set the sine wave generator to 70 Hz and the output amplitude to read 200 mVrms \pm 5 mV on the DMM.
- f. Record the DMM reading to 100 μ V resolution in the Test Report as 'Sine Wave Generator Output Voltage'.
- g. Disconnect the sine wave generator output cable with the 50 Ω termination from the BNC to banana plug adapter on the DMM.
- h. Connect this cable with the standard 50 Ω termination to the **+INPUT** of the DA1855A.
- i. Remove the banana plug adapter from the DMM and connect the DA1855A **AMPLIFIER OUTPUT** connector via another coaxial cable and the precision 50 Ω termination to the DMM. See Figure 9.

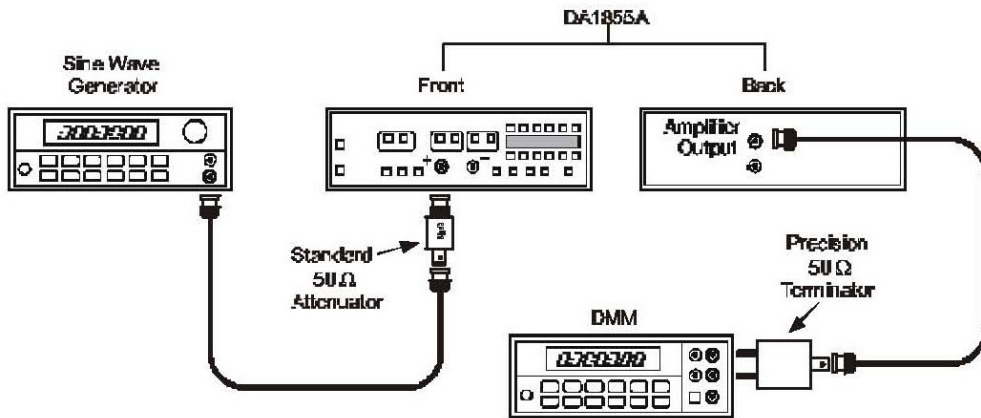


Figure 9, X1 Gain Accuracy

- j. Press the X1 GAIN button to remove any residual DC offset from the input. (A DC component may interfere with the RMS computation in some DMMs.)
- k. After the DMM has stabilized, record the reading to 100 μ V resolution as 'Amplifier Output Voltage' in the Test Record.
- l. Divide the measured amplifier output voltage from step 1-k by the sine wave generator output voltage (amplifier input voltage) in step 1-f. Subtract the ratio from 1.0 and multiply the result by 100% to get the error in percent.

$$Error = \left(1 - \frac{Expected\ Output\ Voltage}{Measured\ Output\ Voltage} \right) \times 100\%$$

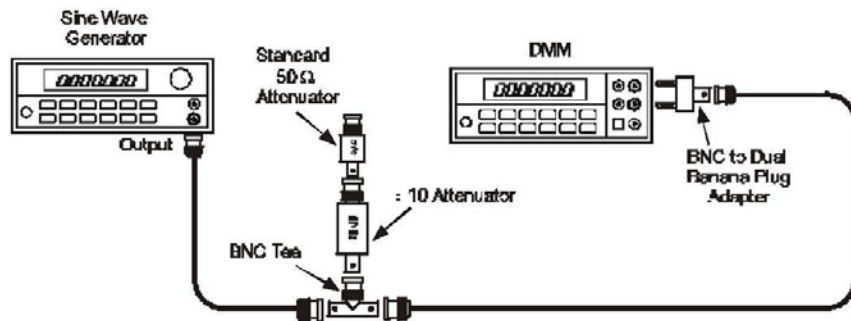
- m. Record the result to two decimal places ($\pm 0.xx$ %) as 'X1 Gain Error' in the Test Record.
- n. Check that the calculated X1 Gain error is less than $\pm 1.0\%$.

2. Check X10 Gain Accuracy

NOTE: Because most DMMs do not provide the required accuracy on lower AC voltage ranges, the check for X10 Gain Accuracy uses a ratio technique with an external ± 10 attenuator. The actual attenuation of the attenuator is determined using higher amplitude signals.

- Disconnect the DA1855A amplifier output cable and the precision $50\ \Omega$ termination from the DMM.
- Disconnect the sine wave generator output cable from the +INPUT and remove the $50\ \Omega$ termination from the coaxial cable.
- Connect one female end of a BNC Tee to the sine wave generator cable.
- Connect a $50\ \Omega \div 10$ attenuator to the male end of the BNC Tee followed by a standard $50\ \Omega$ termination.

Reconnect the banana plug adapter to the DMM and connect another coaxial cable from the banana plug adapter to the other female end of the BNC Tee. See



- Figure 10.
- Set the sine wave generator output amplitude to read $2.00\ \text{V}_{\text{rms}} \pm 50\ \text{mV}$ on the DMM.
- Record the reading to 1 mV resolution as the 'Sine Wave Generator Output Voltage' in the Test Record.

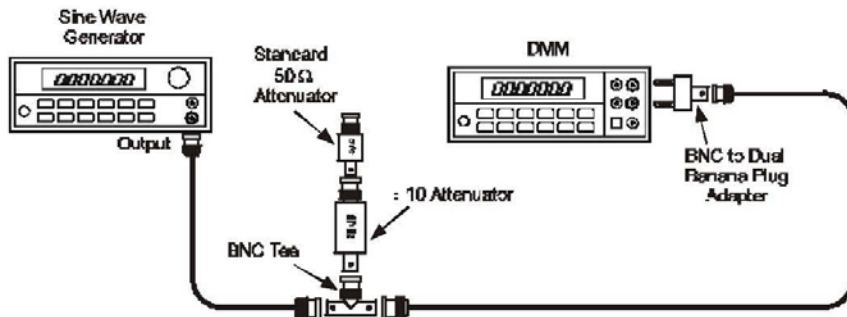


Figure 10, X10 Gain Accuracy Setup.

- h. Remove the DMM cable from the BNC Tee and from the banana plug adapter on the DMM.
- i. Connect the 50 Ω termination end of the termination/attenuator/ BNC Tee combination on the sine wave generator cable to the Banana Plug adapter on the DMM. See Figure 11.

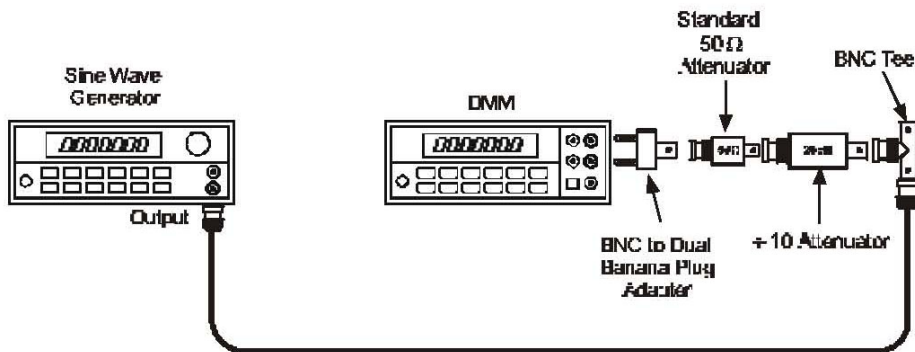


Figure 11, X10 Gain Accuracy Setup.

- j. Record the DMM reading to 100 μV resolution as 'Attenuator Output Voltage' in the Test Record.

NOTE: This reading should be approximately 200 mV. If it is not, verify that the in-line attenuator and termination are installed in the correct order. The 50 Ω termination should be closest to the DMM.

DA1855A Differential Amplifier

- k. Divide the DMM reading in step 2-j into the output amplitude measured in step 2-g. This is the exact attenuation of the attenuator-termination combination.
- l. Record the result as 'Exact Attenuation' to four digit resolution in the Test Record.
- m. Disconnect the termination/attenuator/BNC Tee combination from the Banana Plug adapter on the DMM.
- n. Connect the terminated end of the termination/attenuator/ BNC Tee combination to the DA1855A **+INPUT**.
- o. Connect the DMM to the free female end of the BNC Tee connector using the previously removed cable.

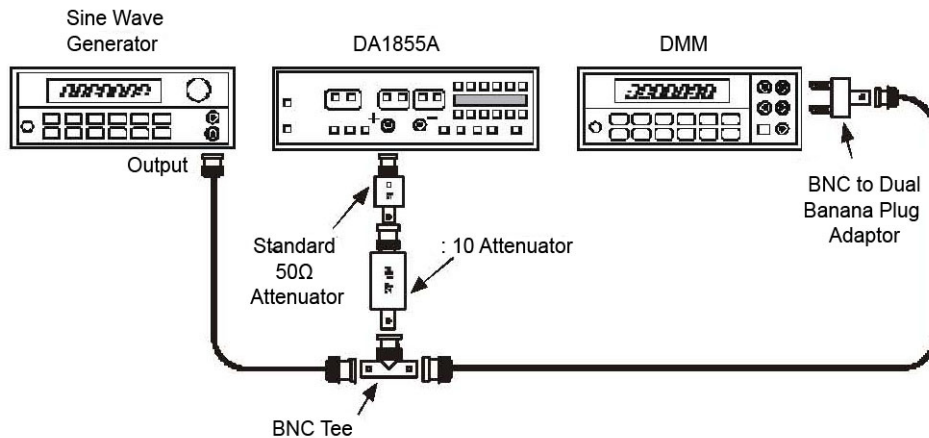


Figure 12 X10 Gain Accuracy Setup

- p. Adjust the sine wave generator output amplitude to read 200 mVrms \pm 50 mV on the DMM.
- q. Record the DMM reading to 100 μ V resolution as 'Sine Wave Generator Output Voltage' in the Test Record.
- r. Disconnect the DMM cable from the BNC Tee and remove the BNC to banana plug adaptor from the cable and DMM.
- s. Connect the DMM cable to the DA1855A **AMPLIFIER OUTPUT** connector.
- t. Insert the precision 50 Ω termination between the other end of this cable and the input of the DMM. See Figure 13.
- u. Set the DA1855A **GAIN** to **X10**.

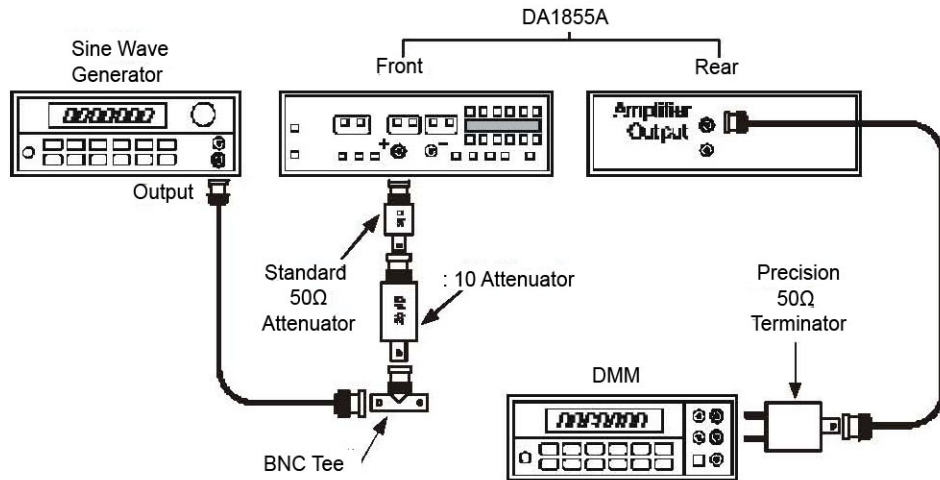


Figure 13, X10 Gain Accuracy Setup

- v. Divide the sine wave generator output voltage recorded in step 2-q by the exact attenuation factor recorded in step 2-l. This represents the actual voltage on the input of the amplifier. Record the result as 'Amplifier Input Voltage' in the Test Record.
- w. Multiply the amplifier input voltage as recorded in step 2-v by 10.0 to obtain the expected output voltage. Record the result to four digit resolution as 'Expected Amplifier Output Voltage' in the Test Record.
- x. After the DMM reading has stabilized, record the measured voltage to 100 μV resolution as 'Measured Amplifier Output Voltage' in the Test Record.
- y. Calculate the error by dividing the expected output voltage recorded in step 2-w by the measured output voltage recorded in step 2-x. Subtract this ratio from 1 and multiply by 100% to get the error in percent.

$$\text{Error} = \left(1 - \frac{\text{Expected Output Voltage}}{\text{Measured Output Voltage}} \right) \times 100\%$$

- z. Record the calculated error to two decimal places ($\pm 0.xx\%$) in the Test Record as 'X10 Gain Error'. Check that the calculated error is less than $\pm 1\%$

3. Check $\div 10$ Attenuator Accuracy

- Remove the DA1855A output cable/precision termination from the DMM.
- Remove the sine wave generator output cable/BNC Tee/ attenuator/termination combination from the **+INPUT** of the DA1855A.
- Remove the BNC Tee and attenuator from the cable but leave the standard 50 Ω termination connected.
- Connect the terminated output cable from the sine wave generator to the DMM using the BNC to Banana Plug adaptor. Refer to Figure 14.

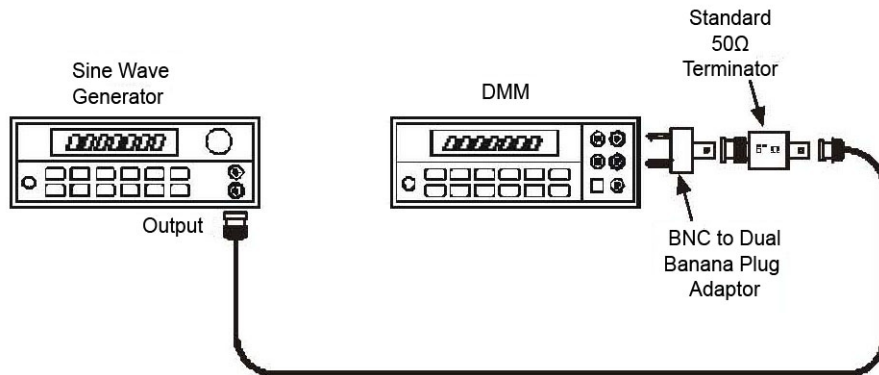


Figure 14, $\div 10$ Attenuator Accuracy

- Set the sine wave generator to read 2.00 Vrms \pm 50 mV on the DMM.
- Record the reading as 'Sine Wave Generator Output Voltage' to four digit resolution in the Test Record.
- Divide the reading recorded in step 3-f by 10.00 and record the result as 'Expected Output Voltage' to four digit resolution in the space provided in the Test Record.
- Set the DA1855A **GAIN** to **X1** and the **ATTENUATOR** to **$\div 10$** .
- Disconnect the sine wave generator output cable and standard 50 Ω termination from the DMM and reconnect to the **+INPUT**.
- Remove the BNC to banana plug adaptor from the DMM.
- Connect the DA1855A **AMPLIFIER OUTPUT** cable/precision termination to the DMM. Refer to Figure 15.

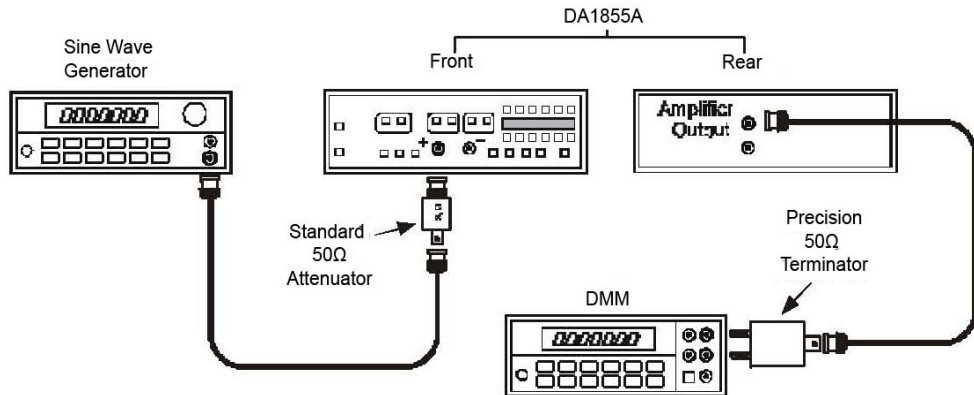


Figure 15, ±10 Attenuator Accuracy Setup.

- l. Press the **X1 GAIN** button to autozero the amplifier.
- m. After the DMM reading has stabilized, record the reading as 'Measured Amplifier Output Voltage' to 100 μV resolution in the Test Record.
- n. Calculate the error by dividing the expected output voltage recorded in step 3-g by the measured amplifier output voltage recorded in step 3-m. Subtract this ratio from 1 and multiply by 100% to get the error in percent.

$$Error = \left(1 - \frac{Expected\ Output\ Voltage}{Measured\ Output\ Voltage} \right) \times 100\%$$

- o. Record the calculated error to two decimal places (± 0.xx%) as '±10 Attenuation Error' in the Test Record.
- p. Check that the calculated error is less than ± 1%.
- q. Disconnect the DMM, sine wave generator, cables and terminations, but leave the amplifier output cable (without termination) connected to the DA1855A **AMPLIFIER OUTPUT**.

4. Check X1 Bandwidth and Calculate Rise Time

- Connect the DA1855A **AMPLIFIER OUTPUT** to channel 1 of the oscilloscope.
- Set the channel 1 input coupling to 50 Ω .

NOTE: If the oscilloscope does not have an internal 50 Ω input termination, insert the standard inline 50 Ω termination between the cable and the oscilloscope input. Use the standard wide bandwidth 50 Ω termination. The precision termination is not accurate at frequencies higher than 100 kHz.

- Verify that the DA1855A **GAIN** is set to X1 and the **ATTENUATOR** to $\div 10$.
- Connect a BNC cable to the output of the leveled sine wave generator.

NOTE: Many leveled sine wave generators, including the SG503, are calibrated only when a special BNC cable is used on its output. Be sure to use a cable which is specified for the generator.

- Insert a standard 50 Ω termination on the free end of the cable and connect the termination to the **+INPUT** of the DA1855A. Refer to Figure 16.

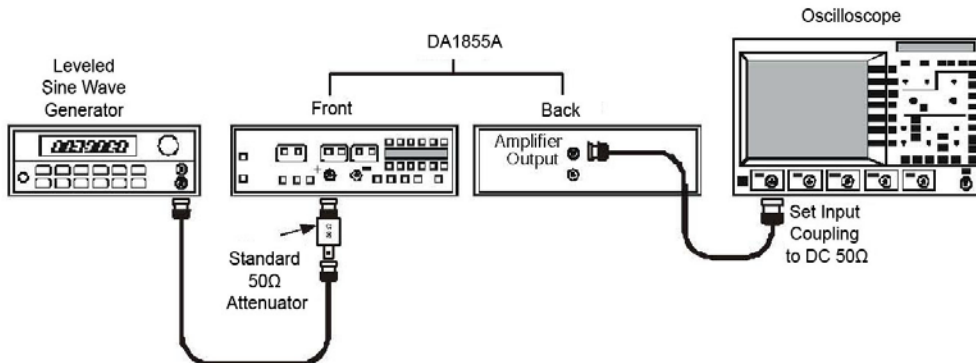


Figure 16, X1 Bandwidth Check Setup

- Set the leveled sine wave generator output frequency to 50 kHz, and the amplitude to approximately 300mVp-p.
- Set the oscilloscope Volt/div to 50 mV/div and the time/div to 20 $\mu\text{sec}/\text{div}$. Oscilloscope bandwidth to FULL. Triggering to Channel 1. Adjust the trigger level for a stable display.
- Adjust the leveled sine wave generator output for an amplitude of exactly 6 divisions on the oscilloscope.

- i. Set the sine wave generator output frequency to 50 MHz. Be careful not to alter the output amplitude.

NOTE: The displayed waveform will be compressed in time to form a solid rectangle. It is not necessary to alter the time/div setting as long as the peak amplitude can be measured.

- j. Slowly increase the output frequency of the leveled sine wave generator until the displayed amplitude decreases to exactly 4.2 divisions. This is a 3 dB reduction in amplitude.
- k. Record in the Test Record the frequency where the -3 dB amplitude is obtained as 'Measured -3 dB Frequency at X1 Gain'.
- l. Check that the frequency is > 100 MHz.
- m. Divide 0.35 by the -3 dB frequency (in Hz) recorded in step 4-k. The result is the calculated rise time. Record the result as 'Calculated Rise Time at X1 Gain' in the Test Record.

5. Check High Frequency CMRR

NOTE: Common Mode Rejection Ratio, CMRR, is defined as the Differential Mode Gain divided by the Common Mode Gain (normalized inverse of the Common Mode Feedthrough). At higher frequencies (>10 MHz) where the bandwidth of the amplifier begins to attenuate the differential mode signal, both the differential mode gain and common mode gain feedthrough must be measured to derive the CMRR.

- a. Make the set-up the same as used for the bandwidth test (Steps 4 a-e). See Figure 17.

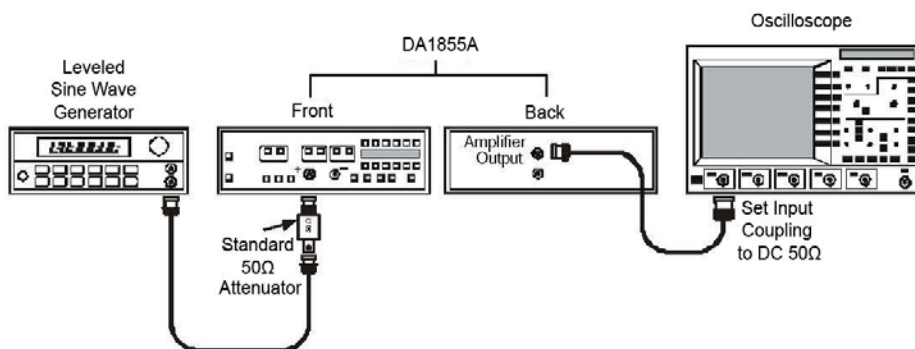


Figure 17, X1 and X10 HF CMRR Check Setup.

DA1855A Differential Amplifier

- b. Set the DA1855A **GAIN** to **X1**, **ATTENUATOR** to $\div 1$.
- c. Set the leveled sine wave generator output frequency to 50 kHz. If necessary adjust the output amplitude for a display of exactly 6 divisions (300 mV) peak to peak.
- d. Change the output frequency to 10 MHz, taking care not to change the output amplitude.
- e. Measure the peak to peak output amplitude of the DA1855A. Record the reading to two digit resolution (xx0 mV) as 'Amplifier Output Voltage at 10 MHz' in the Test Record.
- f. Divide the measured output amplitude by 300 mV. Record the answer to two digit resolution (0.xx) in the Test record. This is the 'Differential Mode Gain at 10 MHz'.
- g. Remove the leveled sine wave generator from the **+INPUT** of the DA1855A.
- h. Connect a BNC cable from the Frequency Reference Signal Output of the sine wave generator to the External Trigger Input of the oscilloscope. (If the sine wave generator does not have a Frequency Reference Signal Output, insert a BNC Tee adapter into the Output connector and attach the External Trigger BNC cable to the BNC Tee.)
- i. Disconnect the **AMPLIFIER OUTPUT** cable from the oscilloscope's channel 1 and connect the terminated end of the sine wave generator output cable to the channel 1 input of the oscilloscope. Refer to Figure 18.

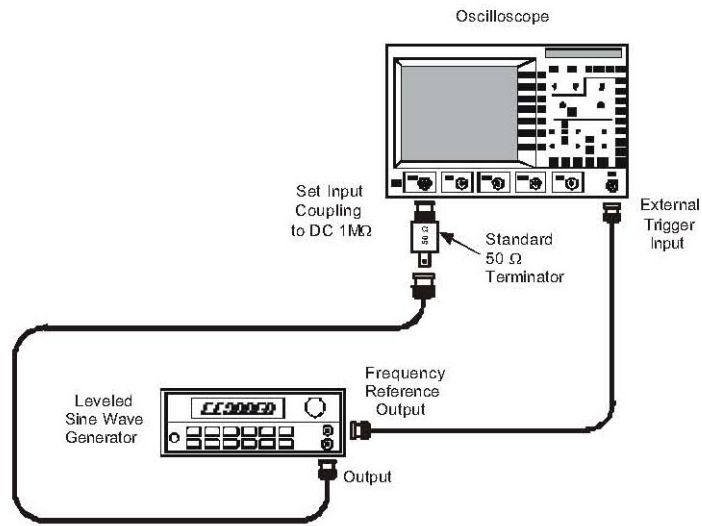


Figure 18, HF CMRR Check Setup

- j. Verify that the channel 1 input coupling is set to DC and $1M\Omega$.
- k. Set the oscilloscope to display channel 1, the vertical sensitivity to 500mV/div , timebase to 50 ns/div and trigger source to external $\div 10$. If necessary, adjust the trigger level for a stable display.
- l. Set the leveled sine wave generator frequency to 10 MHz .
- m. Set the leveled sine wave generator output amplitude to exactly 2 Vp-p . (4 divisions on the oscilloscope).
- n. Remove the leveled sine wave generator output cable and termination from the oscilloscope.
- o. Attach to the $50\ \Omega$ termination a female to female BNC adapter, a BNC 'Y' and a 6" BNC cable to each end of the BNC 'Y'.
- p. Set both the DA1855A **+INPUT** and **-INPUT** to **DC**.
- q. Connect the two free ends of the 6" BNC cables to the DA1855A **+INPUT** and **-INPUT**.
- r. Reconnect the **AMPLIFIER OUTPUT** cable to channel 1 of the oscilloscope. Refer to Figure 19.

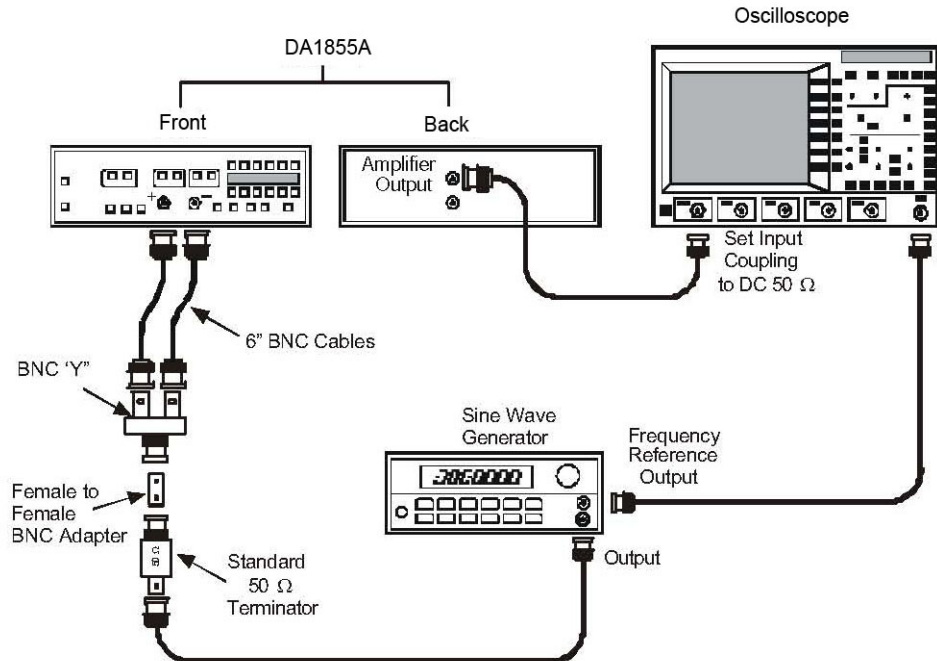


Figure 19, HF CMRR Check Setup

DA1855A Differential Amplifier

- s. Verify that the oscilloscope is set to display channel 1 and the input coupling to **DC** and **50Ω**.
- t. Increase the channel 1 vertical sensitivity to maximum.
- u. Verify that the oscilloscope is triggered on the Frequency Reference Signal Output of the sine wave generator.
- v. Measure the peak to peak amplitude. The displayed signal is the Common Mode Feedthrough. (Use the oscilloscope **ZOOM** function and averaging if needed to increase the size of the displayed waveform and to reduce noise.

NOTE: The amplitude of the Common Mode Feedthrough should be very small. If the output waveform appears to be 1 Volt square wave, check that both of the DA1855A inputs are set to DC.

- w. Record the Common Mode Feedthrough amplitude to two digit resolution in the Test Record as 'Common Mode Feedthrough at 10 MHz'.
- x. Calculate the Common Mode Gain by dividing the Common Mode Feedthrough (in mV) by 5,000 mV.
- y. Record the result to two significant places as 'Common Mode Gain at 10 MHz' in the Test Record. (Keep all of the leading zero's or use scientific notation.)
- z. Calculate the Common Mode Rejection Ratio (CMRR) at 10 MHz by dividing the Differential Mode Gain at 10 MHz as recorded in step 5-f by the Common Mode Gain recorded in step 5-y.
- aa. Record the result to two significant places as 'Common Mode Rejection Ratio at 10 MHz' in the Test Record. (Keep all of the trailing zero's).
- bb. Check that the CMRR at 10 MHz is greater than 316:1 (50 dB)
- cc. Disassemble setup by removing all cable, adapters, etc. from the instruments.

6. Check Low Frequency CMRR.

NOTE: The attenuation of the DA1855A at 70 Hz and 100 kHz is so insignificant that the Differential Mode Gain can be assumed to be unity (1.0). However, the high value of the CMRR specification requires the zoom and averaging function to boost the level of the common mode feedthrough to an amplitude where it can be measured.

- a. Connect a BNC cable from the output of the high amplitude sine wave generator to the channel 1 input of the oscilloscope. Do not terminate the cable into 50 Ω, and verify that channel 1 coupling is set to DC and 1MΩ.

- b. Connect a BNC cable from the Frequency Reference Signal Output of the leveled sine wave generator to the External Trigger Input of the oscilloscope. (If the sine wave generator does not have a Frequency Reference Signal Output, insert a BNC Tee adapter into the Output connector and attach the External Trigger BNC cable to the BNC Tee.)

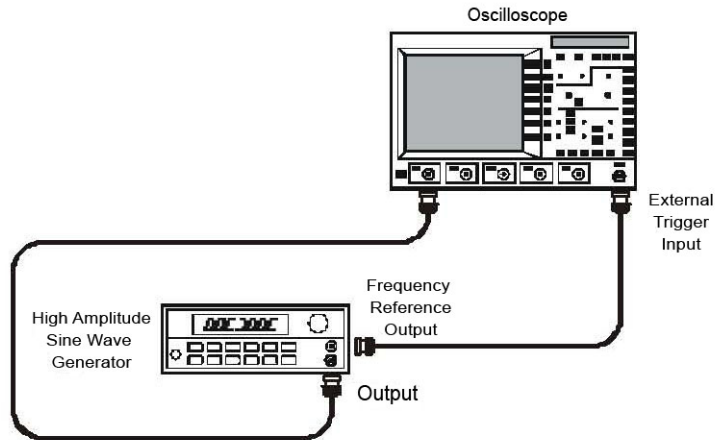


Figure 20, LF CMRR Check Setup

- c. Set the oscilloscope to display channel 1, vertical scale to 5 V/div and time base to 10 ms/div.
- d. Set the sine wave generator frequency to 70 Hz.
- e. Set the high amplitude output of the sine wave generator to exactly 20 V_{p-p} (4 divisions). Adjust the oscilloscope trigger level as necessary for a stable display. Take care not to alter the sine wave generator settings during the following steps.
- f. Remove the sine wave generator output cable from the oscilloscope input.
- g. Connect the open end of this cable to the female to female BNC adapter, a BNC 'Y' and a 6" BNC cable to each end of the BNC 'Y'.
- h. Connect the two free ends of the 6" BNC cables to the +INPUT and –INPUT of the DA1855A. Refer to Figure 21.
- i. Verify that both the +INPUT and –INPUT of the DA1855A are set to DC.
- j. Connect another BNC cable from the AMPLIFIER OUTPUT on the DA1855A under test to channel 1 of the oscilloscope.

DA1855A Differential Amplifier

- k. Set the oscilloscope to display channel 1, coupling to DC and impedance to $50\ \Omega$ and the vertical sensitivity as necessary to measure the amplitude of the displayed waveform. Refer to Figure 21

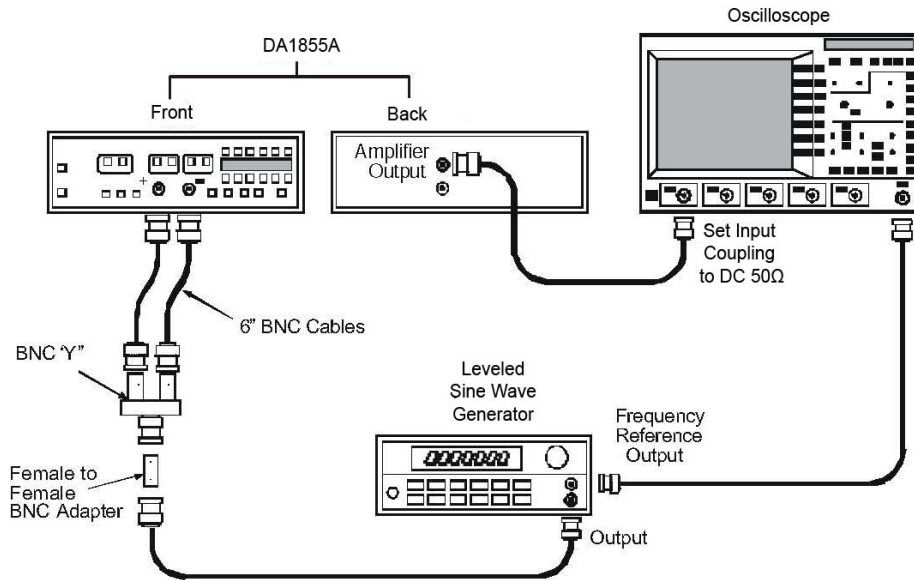


Figure 21, LF CMRR Check Setup

- l. The displayed signal is the Common Mode Feedthrough. (Use the oscilloscope **ZOOM** function and averaging if needed to increase the size of the displayed waveform and to reduce noise.)

NOTE: This measurement needs to be made very carefully. The signal is only several hundred μV in amplitude and measuring the peak to peak amplitude of this signal, using oscilloscope measurement functions, may cause erroneous reading. Measure only the amplitude of the common mode feedthrough, not the total value of the signal plus noise.

- m. Record the displayed 'Common Mode Feedthrough at 70 Hz' to two digit resolution in the Test Record.
- n. Calculate the Common Mode Gain by dividing the Common Mode Feedthrough (in μV) by 20,000,000 μV . Record the result to two significant places as 'Common Mode Gain at 70 Hz' in the Test Record. (Keep all of the leading zeros or use scientific notation.)

- o. Calculate the Common Mode Rejection ratio (CMRR) at 70 Hz by dividing the Differential Mode Gain at 70 Hz (1.0) by the Common Mode Gain (recorded in step 6-p). Record the result as 'Common Mode Rejection Ratio at 70 Hz' to two significant places in the Test Record. (Keep all of the trailing zeros.)
 - p. Check that the CMRR at 70 Hz is greater than 50,000:1(94 dB).
 - q. Remove the sine wave generator output cable from the DA1855A's + input. Reconnect the cable to the channel 1 input of the oscilloscope.
 - r. Set the oscilloscope to display channel 1, The coupling to DC and $1\text{ M}\Omega$, the vertical scale to 5 V/div and the horizontal scale to $5\text{ }\mu\text{s/div}$. If necessary, adjust the trigger level for a stable display.
 - s. Set sine wave generator to 100 kHz.
 - t. Adjust the output amplitude of the sine wave generator to 20 Vp-p (4 divisions). Readjust the oscilloscope trigger level of necessary to maintain a stable display.
 - u. Remove the sine wave generator output cable and reconnect it to the female to female BNC adapter and cables attached to the DA1855A inputs. Refer to Figure 21.
 - v. Connect the DA1855A output to channel 1 of the oscilloscope
 - w. Set the oscilloscope to display channel 1, input coupling to DC and 50Ω and the vertical scale as necessary to measure the amplitude of the displayed signal. The displayed signal is the Common Mode Feedthrough.(Use the oscilloscope **ZOOM** function and averaging if needed to increase the size of the displayed waveform and to reduce noise.)
- NOTE:** This measurement needs to be made very carefully. The signal is only several hundred μV in amplitude and measuring the peak to peak amplitude of this signal, using oscilloscope measurement functions, may cause erroneous reading. Measure only the amplitude of the common mode feedthrough, not the total value of the signal plus noise.
- x. Record the displayed amplitude as 'Common Mode Feedthrough at 100 kHz' to two digits resolution in the Test Record.
 - y. Calculate the Common Mode Gain by dividing the Common Mode Feedthrough (in μV) by 20,000,000 μV . Record the result as 'Common Mode Gain at 100 kHz' to two significant places in the Test Record. (Keep all of the leading zeros or use scientific notation.)
 - z. Calculate the Common Mode Rejection Ratio (CMRR) at

DA1855A Differential Amplifier

- aa. 100 kHz by dividing the Differential Mode gain at 70 Hz (1.0) by the Common Mode Gain recorded in step 6-bb. Record the result as 'Common Mode Rejection Ratio at 100 kHz' to two significant places in the Test Record. (Keep all of the trailing zeros.)
- bb. Check that the CMRR at 100 kHz is greater than 50,000:1(94 dB).
- cc. Remove all cables, terminations and adapters from the instruments.

7. Check the Precision Voltage Generator Accuracy

- a. Connect a BNC cable from the DA1855A **OFFSET VOLTAGE** output connector on the rear panel of the DA1855A to the DMM input. Do **not** use a 50 Ω termination.
- b. Push the **PVG ZERO** button, located at the lower left side of the Precision Voltage Generator display.
- c. Set the DMM to DC Volts on the most sensitive range. After the display has stabilized record the reading as 'PVG Zero Output Voltage' in the Test Record.
- d. Check that the measured 0.0000 V output is within ± 0.5 mV.
- e. Set the DMM range to read 15.5 V.
- f. Press and hold MSB increment button (button to right of \pm button) until the display reads +15.500V. (If necessary, press the \pm button once to invert the polarity.)
- g. After the DMM display has stabilized record the reading as PVG Output Voltage at 15.5 V' in the Test Record with 100 μ V resolution.
- h. CHECK — That the measured output is within 15.4917 to 15.5082 V.
- i. Press the \pm button to change the output voltage to -15.5000 V.
- j. After the DMM display has stabilized record the reading as 'PVG Output Voltage at -15.5 V' in the Test Record with 100 μ V resolution.
- k. Check that the measured output is within -15.4917 to -15.5082 V.
- l. Disconnect DMM and all cables from amplifier.

This completes the Performance Verification Procedure. File the test results as required to support your internal calibration procedures.

Performance Verification Test Record

This record can be used to record the results of measurements made during the performance verification of the DA1855A Differential Amplifier. Photocopy this page and record the results on the copy. File the completed record as required by applicable internal quality procedures.

The section in the test record corresponds to the parameters tested in the performance verification procedure. The numbers preceding the individual data records correspond to the steps in the procedure that require the recording of data. Results to be recorded in the column labeled "Test Result" are the actual specification limit check. The test limits are included in all of these steps.

Other measurements and the results of intermediate calculations that support the limit check are to be recorded in the column labeled "Intermediate Results".

Permission is granted to reproduce these pages for the purpose of recording test results.

Serial Number: **DA1855A**

Asset/Tracking Number: _____

Date: _____

Technician: _____

Equipment Used

	MODEL	SERIAL NUMBER	CALIBRATION DUE DATE
OSCILLOSCOPE			
PREAMPLIFIER			
DIGITAL MULTIMETER			
LEVELED SINE WAVE GENERATOR			
HIGH AMPLITUDE SINE WAVE GENERATOR ¹			N/A

¹ The high amplitude sine wave generator is used in this Performance Verification Procedure for making relative measurements. The output of this generator is measured with a DMM or oscilloscope in this procedure. Thus, the generator is not required to be calibrated.

DA1855A Differential Amplifier

DA1855A Test Record

Step	Description	Intermediate data	Test Result
X1 Gain Accuracy			
1-f	Sine Wave Generator Output Voltage	_____ V	
1-k	Amplifier Output Voltage	_____ V	
1-m	X1 Gain Error (Test limit $\leq 1\%$)		_____ %
X10 gain Accuracy			
2-g	Sine Wave Generator Output Voltage	_____ V	
2-j	Attenuator Output Voltage	_____ V	
2-l	Exact Attenuation	_____	
2-q	Sine Wave Generator Output Voltage	_____ V	
2-v	Amplifier Input Voltage	_____ V	
2-w	Expected Amplifier Output Voltage	_____ V	
2-x	Measured Amplifier Output Voltage	_____ V	
2-z	X10 Gain Error (Test limit $\leq 1\%$)		_____ %
± 10 Attenuator Accuracy			
3-f	Sine Wave Generator Output Voltage	_____ V	
3-g	Expected Output Voltage	_____ V	
3-m	Measured Amplifier Output Voltage	_____ V	
3-o	± 10 Attenuation Error (Test limit $\leq \pm 1.0\%$)		_____ %
X1 Bandwidth and Calculated Rise Time			
4-k	Measured -3 dB Frequency at X1 Gain (Test limit: > 50 MHz)		_____ MHz
4-m	Calculated Rise Time at X1 Gain (Test limit: < 7 nsec)		_____ nsec

High Frequency CMRR

Step	Description	Intermediate data	Test Result
5-e	Amplifier Output Voltage at 10 MHz	_____ V	
5-f	Differential Mode Gain at 10 MHz	_____	
5-w	Common Mode Feedthrough at 10 MHz	_____	
5-y	Common Mode Gain at 10 MHz	_____	
5-aa	Common Mode Rejection Ratio at 10 MHz (Test limit: $\geq 1000:1$)		_____:1

Low Frequency CMRR

6-m	Common Mode Feedthrough at 70 Hz	_____ V	
6-n	Common Mode Gain at 70 Hz	_____	
6-o	Common Mode Rejection Ratio at 70 Hz (Test limit: $\geq 50,000:1$)		_____:1
6-x	Common Mode Feedthrough at 100 kHz	_____ V	
6-y	Common Mode Gain at 100 kHz	_____ V	
6-z	Common Mode Rejection Ratio at 100 KHz (Test limit $\geq 50,000:1$)		_____:1

Precision Voltage Generator Accuracy

7-c	PVG Zero Output Voltage (Test limit: 0.05% of reading + 500 μ V)		_____ V
7-g	PVG Output Voltage at +15.5 V (Test limit: 0.05% of reading + 500 μ V)		_____ V
7-j	PVG Output Voltage at -15.5 V (Test limit: 0.05% of reading + 500 μ V)		_____ V

Reference

Differential Mode and Common Mode

Differential amplifiers amplify the voltage difference which appears between the + input and – input. This voltage is referred to as the Differential Mode or Normal Mode voltage. The voltage component which is referenced to earth and is identical on both inputs is rejected by the amplifier. This voltage is referred to as the Common Mode voltage and can be expressed as:

$$V_{CM} = \frac{V_{+ \text{ Input}} + V_{- \text{ Input}}}{2}$$

Differential Mode Range and Common Mode Range

Differential Mode range is the maximum signal which can be applied between the + and – inputs without overloading the amplifier, which otherwise would result in clipping or distorting the waveform measured by the oscilloscope.

The Common Mode Range is the maximum voltage with respect to earth ground which can be applied to either input. Exceeding the common mode range can result in unpredictable measurements. Because the Common Mode signal is normally rejected and not displayed on the oscilloscope, you must be careful to avoid accidentally exceeding the common mode range.

Common Mode Rejection Ratio

The ideal differential amplifier would amplify only the differential mode voltage component and reject all of the common mode voltage component. Real differential amplifiers are not perfect and a small portion of the common mode voltage component appears at the output. Common Mode Rejection Ratio (CMRR) is the measure of how much the amplifier rejects the common mode voltage component. CMRR is equal to the differential mode gain (or normal gain) divided by the common mode gain. Common mode gain is equal to the output voltage divided by the input voltage when both inputs are driven by only the common mode signal. CMRR can be expressed as a ratio (e.g. 10000:1) or implicitly in dB (e.g. 80 dB). Higher numbers indicate greater rejection (better performance).

The first order term which determines the CMRR is the relative gain matching between the + and – input paths. To obtain high CMRR values, the input attenuators in a differential amplifier are precisely matched to each other. The matching includes the DC attenuation as well as the capacitance which determines the AC attenuation. As the frequency of the common mode component increases, the effects of stray parasitic capacitance and inductance in determining the AC component becomes more pronounced. The CMRR becomes smaller as the frequency increases. Hence the CMRR is usually specified in a graph of CMRR versus common mode frequency.

The common mode frequency in these graphs is assumed to be sinusoidal. In real life applications, the common mode signal is seldom a pure sine wave. Signals with pulse wave shapes contain frequency components much higher than the repetition rate may suggests. As such, it is very difficult to predict actual performance in the application for CMRR versus frequency graphs. The practical application of these graphs is to compare the relative common mode rejection performance between different amplifiers.

DA1855A Typical CMRR

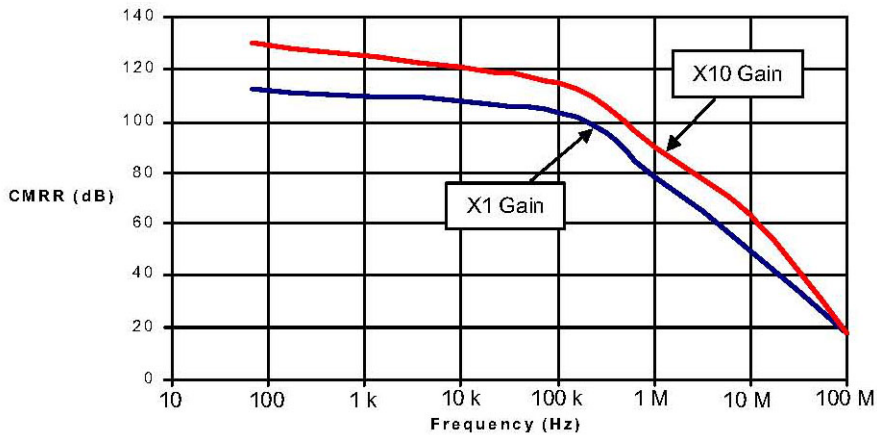


Figure 22, Typical CMRR

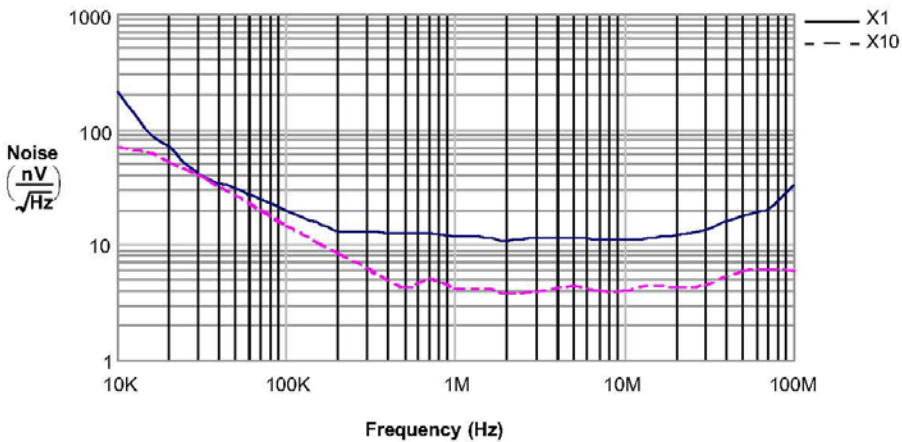


Figure 23, Noise Density
(Referred to the input)

Certifications

EMC Compliance

EC DECLARATION OF CONFORMITY - EMC

The amplifier meets intent of EC Directive 2004/108/EC for Electromagnetic Compatibility. Compliance was demonstrated to the following specifications as listed in the Official Journal of the European Communities:

EN 61326-1:2013, EN 61326-2-1:2013 EMC requirements for electrical equipment for measurement, control, and laboratory use. ¹

Electromagnetic Emissions:

EN 55011:2010, Radiated and Conducted Emissions Group 1, Class A ²³

Electromagnetic Immunity:

EN 61000-4-2:2009 Electrostatic Discharge, 4 kV contact, 8 kV air, 4 kV vertical/horizontal coupling planes ⁴

EN 61000-4-3/A2:2010 RF Radiated Electromagnetic Field, 3 V/m, 80-1000 MHz; 3 V/m, 1400 MHz - 2 GHz; 1 V/m, 2 GHz - 2.7 GHz

EN 61000-4-4/A1:2010 Electrical Fast Transient/Burst, 1 kV on power supply lines, 0.5 kV on I/O signal data and control lines ⁴

EN 61000-4-5:2006 Power Line Surge, 1 kV AC Mains, L-N, L-PE, N-PE ⁴

EN 61000-4-6:2009 RF Conducted Electromagnetic Field, 3 Vrms, 0.15 MHz - 80 MHz

EN 61000-4-11:2004 Mains Dips and Interruptions, 0%/1 cycle, 70%/25 cycles, 0%/250 cycles ⁴⁵

1 To ensure compliance with all applicable EMC standards, high quality shielded interface cables should be used.

2 Emissions which exceed the levels required by this standard may occur when the oscilloscope is connected to a test object.

3 This product is intended for use in nonresidential areas only. Use in residential areas may cause electromagnetic interference.

4 Meets Performance Criteria "B" limits of the respective standard: during the disturbance, product undergoes a temporary degradation or loss of function or performance which is self-recoverable.

5 Performance Criteria "C" applied for 70%/25 cycle voltage dips and 0%/250 cycle voltage interruption test levels per EN61000-4-11.

European Contact:

Teledyne LeCroy Europe GmbH

Waldhofer Str 104

D-69123 Heidelberg

Germany

Tel: (49) 6221 82700

AUSTRALIA & NEW ZEALAND DECLARATION OF CONFORMITY – EMC

Amplifier complies with the EMC provision of the Radio Communications Act per the following standards, in accordance with requirements imposed by Australian Communication and Media Authority (ACMA):

EN 55011:2010 Radiated and Conducted Emissions, Group 1, Class A, in accordance with EN61326-1:2013 and EN61326-2-1:2013

Australia / New Zealand Contacts:

Vicom Australia Ltd.

1064 Centre Road

Oakleigh, South Victoria 3167

Australia

Vicom New Zealand Ltd.

60 Grafton Road

Auckland

New Zealand

Safety Compliance

EC DECLARATION OF CONFORMITY – LOW VOLTAGE

The amplifier meets intent of EC Directive 2006/95/EC for Product Safety. Compliance was demonstrated to the following specifications as listed in the Official Journal of the European Communities:

EN 61010-1:2010 Safety requirements for electrical equipment for measurement, control, and laboratory use – Part 1: General requirements

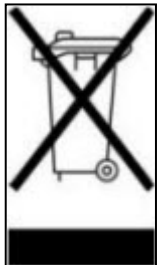
EN 61010-2:030:2010 Safety requirements for electrical equipment for measurement, control, and laboratory use – Part 2-030: Particular requirements for testing and measuring circuits

The design of the amplifier has been verified to conform to the following limits put forth by these standards:

- Measurement Category II: equipment intended to be supplied from the building wiring with a nominal supply voltage up to 300V.
- Measurement Category 0: amplifier measurement terminals that are not intended to be directly connected to the MAINS supply.
- Pollution Degree 2: operating environment where normally only dry, non-conductive pollution occurs. Temporary conductivity caused by condensation should be expected.
- Protection Class I: grounded equipment in which protection against electric shock is achieved by Basic Insulation and a connection to the protective ground conductor in the building wiring.

Environmental Compliance

END-OF-LIFE HANDLING



The product is marked with this symbol to indicate that it complies with the applicable European Union requirements to Directives 2002/96/EC and 2006/66/EC on Waste Electrical and Electronic Equipment (WEEE) and Batteries.

The product is subject to disposal and recycling regulations that vary by country and region. Many countries prohibit the disposal of waste electronic equipment in standard waste receptacles. For more information about proper disposal and recycling of your Teledyne LeCroy product, please visit teledynelecroy.com/recycle.

RESTRICTION OF HAZARDOUS SUBSTANCES (ROHS)

This product and its accessories conform to the 2011/65/EU RoHS2 Directive, as it is classified as Industrial Monitoring and Control Equipment (per Article 3, Paragraph 24) and is exempt from RoHS compliance until 22 July 2017 (per Article 4, Paragraph 3)

ISO Certification

Manufactured under an ISO 9000 Registered Quality Management System.

Returning a Product

Contact your local Teledyne LeCroy sales representative to find out where to return the product. All returned products should be identified by model number and serial number. Provide your name and contact number and if possible describe the defect or failure. In case of products returned to the factory, a Return Authorization Number (RAN) must be used. Contact your nearest Teledyne LeCroy office, or the New York Customer Care Center, to receive a RAN.

Return shipment should be prepaid. Teledyne LeCroy cannot accept COD or Collect Return shipments. We recommend air-freighting.

1. Contact your local Teledyne LeCroy sales or service representative to obtain a Return Authorization Number.
2. Remove all accessories from the probe. Do not include the manual.
3. Pack the probe in its case, surrounded by the original packing material (or equivalent) and box.
4. Label the case with a tag containing:
 - The RAN
 - Name and address of the owner
 - Probe model and serial number
 - Description of failure
5. Package the probe case in a cardboard shipping box with adequate padding to avoid damage in transit.
6. Mark the outside of the box with the shipping address given to you by the Teledyne LeCroy representative; be sure to add the following:
 - ATTN: <RAN assigned by the Teledyne LeCroy representative>
 - FRAGILE
7. Insure the item for the replacement cost of the probe.
8. **If returning a probe to a different country, also:**
 - Mark shipment returned for service as a "Return of US manufactured goods for warranty repair/recalibration."
 - If there is a cost involved in the service, put the service cost in the value column and the replacement value in the body of the invoice marked "For insurance purposes only."
 - Be very specific as to the reason for shipment. Duties may have to be paid on the value of the service.

Contact Teledyne LeCroy

Teledyne LeCroy Service Centers	
<p>United States and Canada - World Wide Corporate Office Teledyne LeCroy Corporation 700 Chestnut Ridge Road Chestnut Ridge, NY, 10977-6499, USA Ph: 800-553-2769 / 845-425-2000 FAX: 845-578-5985 teledynelecroy.com Support: contact.corp@teledynelecroy.com Sales: customersupport@teledynelecroy.com</p>	<p>United States - Protocol Solutions Group Teledyne LeCroy Corporation 3385 Scott Boulevard Santa Clara, CA, 95054, USA FAX: 408-727-0800 teledynelecroy.com Sales and Service: Ph: 800-909-7211 / 408-727-6600 contact.corp@teledynelecroy.com Support: Ph: 800-909-7112 / 408-653-1260 psgsupport@teledynelecroy.com</p>
<p>European Headquarters Teledyne LeCroy SA 4, Rue Moïse Marcinhes Case postale 341 1217 Meyrin 1 Geneva, Switzerland Ph: + 41 22 719 2228 / 2323 /2277 FAX:+41 22 719 2233 contact.sa@teledynelecroy.com applications.indirect@teledynelecroy.com teledynelecroy.com/europe Protocol Analyzers: Ph: +44 12 765 03971</p>	<p>Singapore, Oscilloscopes Teledyne LeCroy Singapore Pte Ltd. Blk 750C Chai Chee Road #02-08 Technopark @ Chai Chee Singapore 469003 Ph: ++ 65 64424880 FAX: ++ 65 64427811 Singapore, Protocol Analyzers Genetron Singapore Pte Ltd. 37 Kallang Pudding Road, #08-08 Tong Lee Building Block B Singapore 349315 Ph: ++ 65 9760-4682</p>
<p>China Teledyne LeCroy Corporation Beijing Rm. 2001 - Office; Rm. 2002 - Service Center Unit A, Horizon Plaza No. 6, Zhichun Road, Haidian District Beijing 100088, China Ph: ++86 10 8280 0318 / 0319 / 0320 FAX:++86 10 8280 0316 Service: Rm. 2002 Ph: ++86 10 8280 0245</p>	<p>Korea Teledyne LeCroy Korea 10th fl. Ildong Bldg. 968-5 Daechi-dong, Gangnam-gu Seoul 135-280, Korea Ph: ++ 82 2 3452 0400 FAX: ++ 82 2 3452 0490</p>
<p>Taiwan LeColn Technology Co Ltd. Far East Century Park, C3, 9F No. 2, Chien-8th Road, Chung-Ho Dist., New Taipei City, Taiwan Ph: ++ 886 2 8226 1366 FAX: ++ 886 2 8226 1368</p>	<p>Japan Teledyne LeCroy Japan Hobunsha Funchu Bldg, 3F 3-11-5, Midori-cho, Fuchu-Shi Tokyo 183-0006, Japan Ph: ++ 81 4 2402 9400 FAX: ++ 81 4 2402 9586 teledynelecroy.com/japan</p>

925177-00
November, 2014



700 Chestnut Ridge Road
Chestnut Ridge, NY 10977
USA

teledynelecroy.com