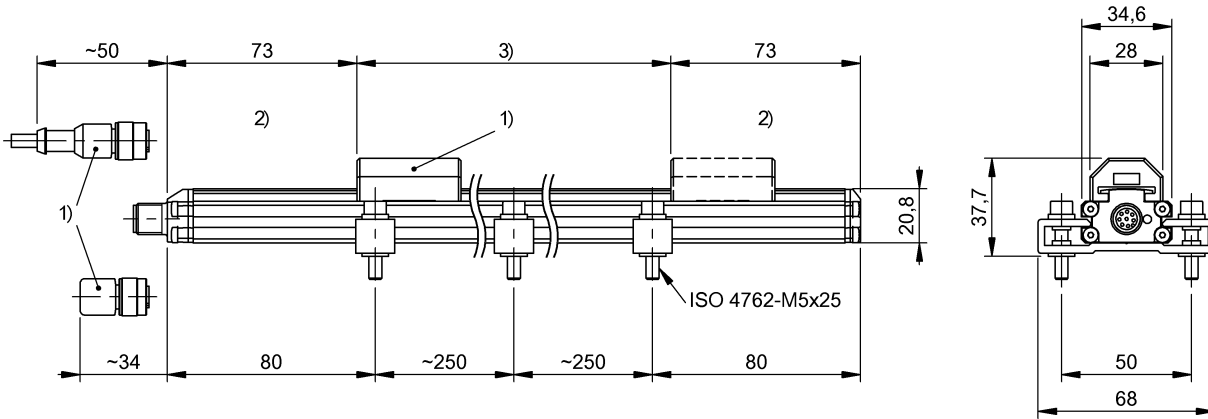


## BTL6-A500-M0100-PF-S115 BTL0P9A



1) not included in scope of delivery 2) Non-usable area 3) Nominal length = Measuring length



### Display/Operation

Error signal Ua rising 10.5 V

### Electrical connection

Connection version axial  
Polarity reversal protected to 36 V  
Short-circuit protection to GND and to 36 V DC

### Electrical data

Current consumption max. at 24 V DC 150 mA  
Galvanic isolation no  
Inrush current  $\leq 3 \text{ A}/0.5 \text{ ms}$   
MTTF (40 °C) 61 a  
Operating voltage U<sub>b</sub> 10...30 VDC  
Output current max. 5 mA  
Output signal adjustable using programming inputs  
Overvoltage protection to 36 V  
Switch-on delay max. 500 ms  
Voltage-proof up to (GND to housing) 500 V DC

### Environmental conditions

Ambient temperature -25...70 °C  
EN 55016-2-3, Radiation For industrial and residential use  
EN 60068-2-27, Continuous shock 50 g, 2 ms  
EN 60068-2-27, Shock 50 g, 6 ms  
EN 60068-2-6, Vibration 12 g, 10...2000 Hz  
EN 61000-4-2, ESD Severity Level 3  
EN 61000-4-3, RFI Severity Level 3  
EN 61000-4-4, Burst Severity Level 3

EN 61000-4-5, Surge Severity Level 2  
EN 61000-4-6, High-frequency fields Severity Level 3  
EN 61000-4-8, Magnetic fields Severity Level 4  
Protection type IEC 60529 IP67 with connector  
Relative humidity  $\leq 90 \%$ , non-condensing  
Storage temperature -40...100 °C

### Functional safety

Functional safety no

### General data

Approval/Conformity CE  
cULus  
Magnets, number (factory setting) 1  
Position encoders, number max. 1

### Material

Cover material Zinc  
Cover material, note Die casting  
Housing material Aluminum  
Housing material, surface protection anodized  
Material cover Zinc, Die casting

### Mechanical data

Fastening detail Mounting clamps  
Installation length 246 mm  
Null point 73.0 mm

### Range/Distance

Measuring length 100 mm

Internet www.balluff.com  
Balluff Germany +49 (0) 7158 173-0, 173-370  
Balluff USA 1-800-543-8390  
Balluff China +86 (0) 21-50 644131

For definitions of terms, see main catalog eCI@ss 9.1: 27-27-07-03 1(2)  
Subject to change without notice ETIM 6.0: EC002544  
BTL0P9A\_09-03-17\_20:22

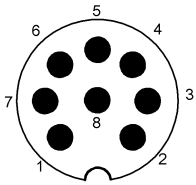
## BTL6-A500-M0100-PF-S115 BTLOP9A

Non-linearity max.	$\pm 200 \mu\text{m}$
Repeat accuracy	$\pm 5 \mu\text{m}$
Resolution	$\leq 350 \mu\text{V}$
Sampling rate max.	2.000 kHz

For further information on MTTF/B10d, please refer to the MTTF / B10d Certificate.

Specification of the MTTF value and the B10d value do not represent any binding quality and/or life expectancy guarantees.

### Connector view



### Wiring Diagram

Pin	
1	NC
2	0V
3	NC
4	L <sub>a</sub>
5	0...10 V
6	GND
7	+24 V DC
8	L <sub>b</sub>